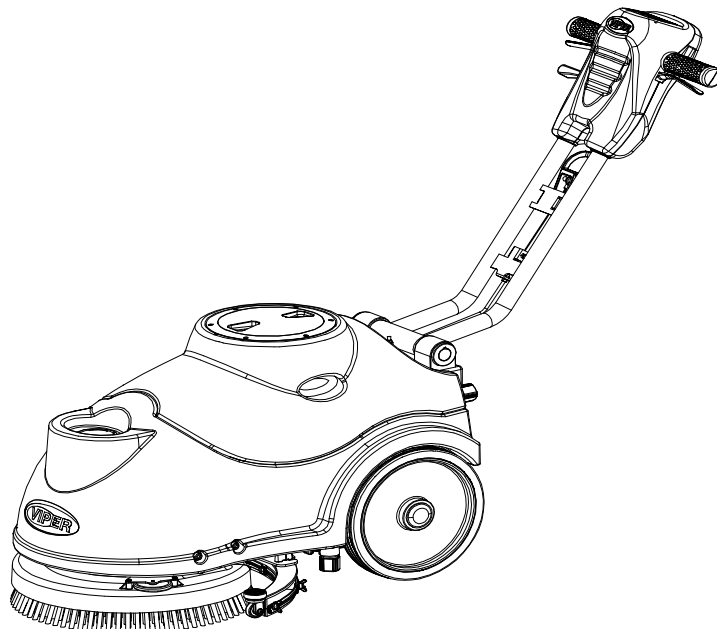




User Manual

Original instructions

AS380/15B-EU
AS380/15B-UK



ENGLISH	USER MANUAL.....	1-12
DEUTSCH	BETRIEBSANLEITUNG.....	13-24
FRANÇAIS	MODE D'EMPLOI.....	25-36
NEDERLANDS	GEBRUIKSAANWIJZING.....	37-48
ITALIANO	MANUALE D'ISTRUZIONI.....	49-60
ESPAÑOL	USER MANUAL.....	61-72
PORTUGUÊS	MANUAL DO USUÁRIO.....	73-84
ΕΛΛΗΝΙΚΑ	ΕΓΧΕΙΡΙΔΙΟ ΧΡΗΣΤΗ.....	85-98
ČESKÝ	UŽIVATELSKÝ MANUÁL.....	99-110
SLOVENSKÝ	NÁVOD NA POUŽITIE.....	111-120
POLSKI	INSTRUKCJA OBSŁUGI.....	121-132
MAGYAR	FELHASZNÁLÓI KÉZIKÖNYV.....	133-144
ROMÂNĂ	MANUAL DE UTILIZARE.....	145-156
РУССКИЙ	РУКОВОДСТВО ПОЛЬЗОВАТЕЛЯ.....	157-168
БЪЛГАРСКИ	РЪКОВОДСТВО НА ПОТРЕБИТЕЛЯ.....	169-180
DANSK	BRUGERMANUAL.....	181-192
SVENSKA	BRUKSANVISNING.....	193-204
NORSK	BRUKERHÅNDBOK.....	205-216
SUOMI	KÄYTTÖOPAS.....	217-228

Company information:

www.vipercleaning.eu

info-eu@vipercleaning.com

VF89027EU REV:06 (2017.12.5)



SAFETY PRECAUTIONS

This machine is intended for commercial use. It is constructed for use in an indoor environment and is Not intended for any other use. Use only with recommended accessories.

All operators shall read, understand and exercise the following safety precautions:

1) DO NOT OPERATE MACHINE:

- Unless trained and authorized.
- Unless you have read and understand the operators manual.
- In flammable or explosive areas.
- If not in proper operating condition.
- In outdoor areas.

2) BEFORE OPERATING MACHINE:

Make sure all safety devices are in place and operate properly.

3) WHEN USING MACHINE:

- Go slow on inclines and slippery surfaces.
- Follow all safety guidelines.
- Be very careful when using the machine in reverse.
- Report and fix any damage to machine prior to operating it.

4) BEFORE LEAVING OR SERVICING MACHINE:




- Stop machine on level ground.
- Turn machine off.

5) WHEN SERVICING MACHINE:

- Read operators manual thoroughly prior to operating or servicing this machine.
- Use manufacturer supplied or approved replacement parts.
- Secure machine with wheel blocks prior to jacking the machine up.
- Use approved jack or hoist to safely elevate the machine.

WHEN SERVICING MACHINE:(con't)

- Disconnect batteries prior to working on machine.
- Wear gloves when handling batteries or battery cables.
- Avoid any contact with battery acid.
- Avoid moving parts, Do not wear loose fitting clothing while servicing machine.

	<p>WARNING!</p> <p>Batteries emit hydrogen gas. Explosion or fire can result from hydrogen gas. Keep Sparks and open flames away! Keep battery compartment open when charging.</p>
	<p>WARNING!</p> <p>Flammable materials can cause an explosion or fire. Do not use flammable materials In tanks.</p>
	<p>WARNING!</p> <p>Flammable materials or reactive metals can cause explosion or fire .Do not pick up.</p>

MACHINE SET UP&INSTALLATION

UNCRATING MACHINE

Be sure and check packing carton for any damage. Immediately report any damage to carrier.

Check contents of package to ensure that the following items are included:

1. Machine
2. Batteries(x2)
3. Squeegee assembly
4. Scrubber-dryer User Manual
5. Electric Battery Charger Manual (if equipped)
6. connecting wire for battery and charger (if equipped)
7. brush or pad driver (if equipped)

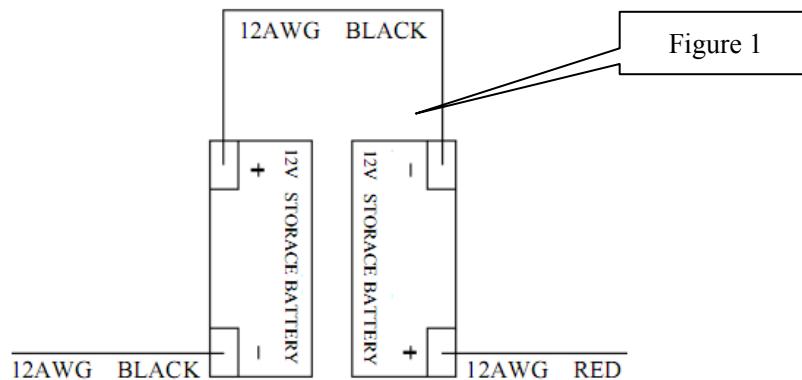
BATTERY DISASSMBLY AND INSTALLATION

1. Switch off the main switch (47).
2. Remove the recovery tank (2) as shown in the relevant paragraph.
3. Unscrew the bolt from batteries (16), then remove or change.
4. Install the batteries on the machine according to the diagram below.
5. Install the recovery tank.



WARNING

Do not connect⁺ to+, or - to-, when disassembly or install the batteries. It is very dangerous.



Battery charging

Charge the batteries (see the procedure in Maintenance chapter).

MACHINE SET UP

Pre-operation checks

1. Sweep or dust mop the surface to be cleaned.
2. Check that squeegee is properly installed.
3. Lower the squeegee (33) with the lever (26).
4. Check battery are fully charged.(see BATTERY CHARGIN)
5. Check that brush/pad is properly installed.

Brush/Pad driver installation and disassembly



NOTE

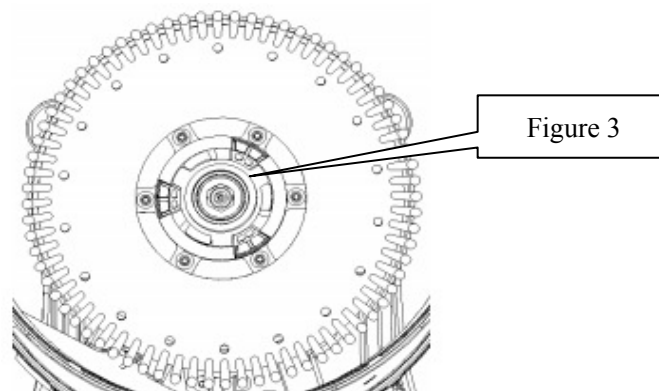
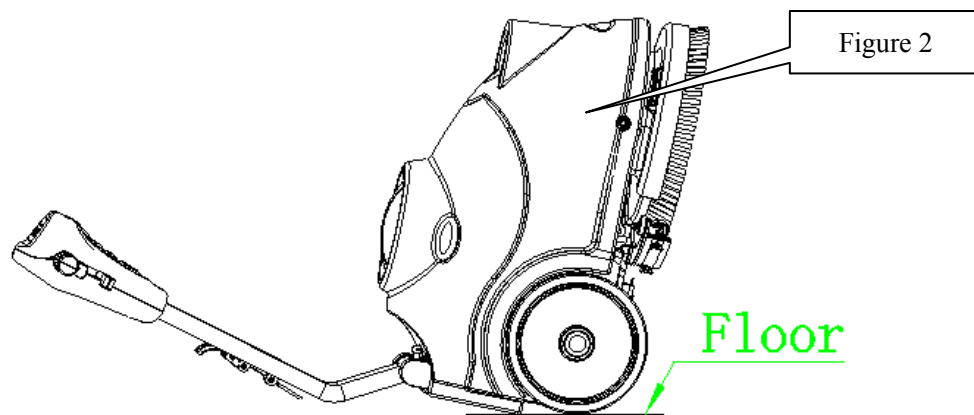
*Only install manually. If auto-installation, it will wear brush hub.
Make sure that the tanks are empty before disassembling the brush.*

1. Turn off the machine.
2. Lay down the machine in this position as indicated in the figure2, Pull up the lift lever (26) to raise the squeegee up (33).
3. Mount the brush or pad driver onto the drive wheel hub and then rotate counterclockwise until it locks, as indicated in the figure 3.
4. To remove the brush/pad, rotate the brush/pad clockwise until it is released from drive wheel hub.



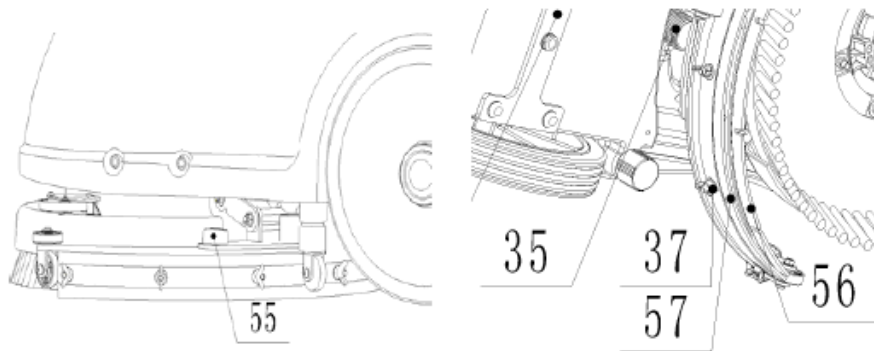
WARNING

Do not turn on the machine in this position as below. The brush/pad could disengage and cause injury.



Squeegee installation

1. Turn off the machine (47).
2. Pull down the squeegee lift lever (26) to put down the squeegee on the “working” position.
3. Lay down the machine in this position as indicated in the figure2.
4. Loosen the two knobs (55) on the squeegee and slide the squeegee into the slots of squeegee brackets
Tighten the knobs securely (unscrew the knobs, if disassembly).
5. To replace the front/rear squeegee (56/57), unscrew the thumb nut (37).



Solution tank filling



NOTE

The machine can be filled with a pipe or bucket. Do not remove the Solution filter (21) while filling.

1. Fill water into solution tank (3) from the inlet (20) through pipe or bucket
2. Do not fill the solution tank completely, leave a few centimeters from the edge.
3. The water temperature must not exceed 40°C.



CAUTION!

Use only low-foam and non-flammable detergents, intended for automatic scrubber applications

Solution tank draining



NOTE

Solution tank should be drained and cleaned after each scrubber operation is completed.

1. Unscrew the drain cap (22) on the bottom of solution tank. The solution/water will flow freely into a bucket or floor drain.
2. Rinse the solution tank with clean water after every use. This will help prevent chemical build up and clogging of the solution lines
3. Screw up the drain cap (22).

Recovery tank draining



NOTE

Recovery tank should be drained and cleaned after each scrubber operation is completed.

1. Turn the latch (17) off the recovery tank, take off the recovery tank from machine by grasping two grooves of tank. Open the lid (1) and overturn the recovery tank to drain the dirty water into a container, or unscrew the drain cap (22) to let water pipe out to a bucket.
2. Clean and Rinse the recovery tank with clean water after every use.
3. Re-place the recovery tank on the machine and turn the latch (17) to lock the tank..




MACHINE OPERATION

1. Set the handle to a comfortable height by pressing level (25).
2. Lower the squeegee (33) onto the floor by pulling down the lift mechanism (26).

3. Turn on the main switch (47).
4. Turn on the brush motor switch (48) and the solution switch (50), the indicate light will be on.
5. Turn on the vacuum motor switch (49), the indicate light will be on.
6. If necessary, adjust the water flow by turn the ball valve (31) manually
7. Pull one or both operating triggers (24), and then brush will start to spin, solution will begin to flow.
Move the machine and start cleaning,

NOTE

If the battery indicator light (51) is green, the machine can be used. If it is yellow or red, the batteries must be charged.

	<p>CAUTION ! <i>Before lifting the brush, turn it off by pressing the switch (47).</i></p>
	<p>CAUTION ! <i>When cleaning excessively aggressive floors or others this could cause the machine do not work, brush motor and vacuum indicators on the Control panel(46) flashing simultaneously. It means the machine being overloaded. Please turn off all the switches on the Control panel (46).</i></p>
	<p>CAUTION ! <i>Do not use the machine with discharged batteries to avoid damaging the batteries and reducing the battery life.</i></p>

AFTER USING THE MACHINE

After scrubbing, please proceed with below actions before leaving the machine:

1. Remove the brush/pad-holder.
2. Empty the tanks as shown in the previous parsagraph.
3. Perform the daily maintenance procedures (see the maintenance chapter)
4. Store the machine in a clean and dry place, with the brush/pad-holder and the squeegee
5. If storing in an area which may reach freezing temperatures, be sure to drain all fluids from the machine prior to storage. any damage caused by freezing temperatures will not be covered by the warranty.


MACHINE NOT BEING USED FOR LONG PERIODS

If the machine is not going to be used for more than 30days, please proceed with below actions:

1. Perform the procedures shown in ‘After Using the Machine paragraph’.
2. Disconnect the battery connector.

MAINTENANCE

The lifespan of the machine and its maximum operating safety are ensured by correct and regular maintenance. The following chart provides the scheduled maintenance. The intervals shown may vary according to particular working conditions, which will be defined by the person in charge of the maintenance.

	<p>WARNING <i>Maintenance procedures must be performed with the machine switched off and the batteries/battery charger cable disconnected. Moreover, carefully read the instruction in the Safety chapter.</i></p>
---	---

All scheduled or extraordinary maintenance procedures must be performed by qualified personnel, or by

USER MANUAL

an authorized Service Center.

This Manual describes only the easier and most common maintenance procedures.

For other maintenance procedures shown in the Scheduled Maintenance Table, refer to the Service Manual that can be consulted at any Service Center.






SCHEDULED MAINTENANCE TABLE

Procedure	Daily, after using the machine	Weekly	Every six months	yearly
Battery charging				
Squeegee cleaning				
Brush cleaning				
Tank and vacuum grid with float cleaning, the cover gasket check				
Squeegee blade check and replacement				
Solution filter cleaning				
Out-water pipe filter cleaning				
Screw and nut tightening check			(1)	
rotary parts getting lubricant			(1)	
Brush/Pad-holder motor carbon brush check or replacement				(2)
Vacuum system motor carbon brush check or replacement				(2)


(1) And after the first 8 working hours.

(2) This maintenance procedure must be performed by an authorized viper Service Center.



BATTERY CHARGING

	<p>NOTE</p> <p><i>Charge the batteries when the yellow or red indicator (51), or at the end of every working cycle.</i></p>
	<p>CAUTION!</p> <p><i>Keeping the batteries charged make their life last longer.</i></p>
	<p>CAUTION!</p> <p><i>If the machine is not equipped with on-board battery charger, choose an external battery charger suitable for the type of batteries installed.</i></p>
	<p>WARNING!</p> <p><i>Please use viper approved charger to charge the battery</i></p>
	<p>WARNING!</p> <p><i>Pay careful attention when charging WET batteries as there may be battery fluid leakages. The battery fluid is corrosive. If it comes in contact with skin or eyes, rinse thoroughly with water and consult a physician.</i></p>

1. Place charger and machine in a well ventilated area.
2. Turn machine off (47).
3. Take away the recovery tank (2), Exposing battery compartment.
4. Plug the charging cable to the grounded wall outlet (100v~240v)..
Connect the charging cable to the machine socket.
5. The charging indicator light (30) turn on means It is in charging, green light means battery charging is completed.
6. Upon the completion of charging, first unplug the charging cable from the wall outlet and then disconnect from machine.
7. Replace the recovery tank.

	<p>NOTE <i>For further information about the operation of the battery charger (29), see the relevant paragraph.</i></p>
---	--


SQUEEGEE CLEANING

	<p>NOTE The squeegee must be clean and its blades must be in good condition in order to getting a good drying performance.</p>
	<p>CAUTION! <i>It is advisable to wear protective gloves when cleaning the squeegee because there may be sharp debris.</i></p>

SQUEEGEE BLADE CHECK AND REPLACEMENT


1. Take off the squeegee as shown in the previous paragraph.
2. Check to see if the edge of the front/rear blades are cracked or split, if necessary replace them with new.
3. Unscrew six the thumb nut (37) to get off the blades.
4. Check the front/rear blades for integrity, cut and tears. If they are not adequate, overturn or replace them.
5. Install the squeegee in the reverse order of removal.

BRUSH /PAD DRIVER CLEANING

	<p>CAUTION! <i>It is advisable to wear protective gloves when cleaning the brush/pad because there may be sharp debris.</i></p>
---	--

1. Remove the brush/pad as shown in the previous paragraph.
2. Clean and wash the brush/pad with water and detergent.
3. Check the brush bristles for integrity and wearing status; if necessary, replace the brush.
4. Check the pad for wearing status; if necessary, replace the pad driver.

TANK/VACUUM GRID WITH FLOAT CLEANING AND COVER GASKET CHECK

	<p>CAUTION! <i>It is advisable to wear protective gloves when cleaning the tank and vacuum/suction assembly because there may be sharp debris.</i></p>
---	---

USER MANUAL

1. Move the machine to the appointed disposal area.
2. Turn off the main switch (47).
3. Take off the recovery tank (2), clean and rinse both solution/recovery tank, and drain out.
4. Take off all vacuum kits, gasket, filter, clean and re-install.
5. Check the recovery tank lids gasket ring and the vacuum rubber connector (18) between two tanks are integrity or not..



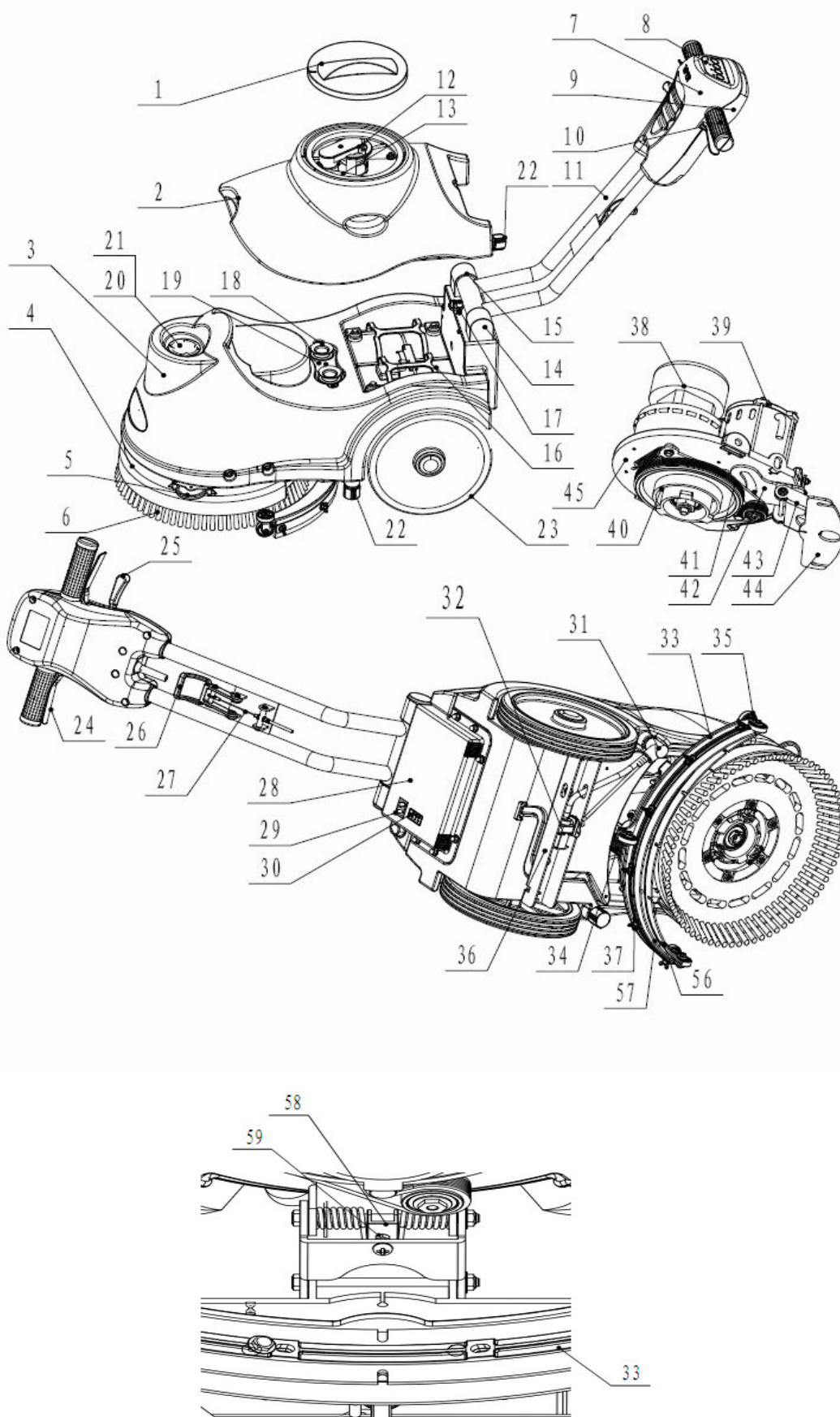
NOTE

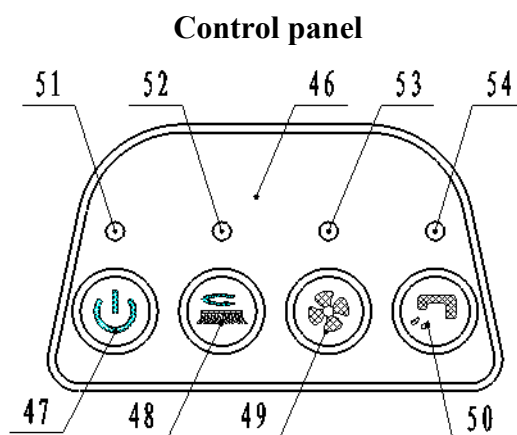
The gasket ring of recovery tank and the rubber connector between two tanks create vacuum in the tank. If necessary, replace them.

MACHINE STRUCTURE

1. Recovery tank lid
2. Recovery tank
3. Solution tank
4. Brush cover
5. Protective rollers
6. Brush
7. Front handle shell
8. Control panel
9. Rear handle shell
10. Handle rubber
11. Handle iron pipe
12. Squeegee vacuum assembly
13. Squeegee suction assembly
14. Left positioning
15. Right positioning
16. Batteries
17. Latch
18. Rubber sealing
19. Limit hose joint
20. Inlet
21. Solution filter
22. Solution tank drain
23. Wheels on fixed axle
24. Handle left and right
25. Handle rotate lever
26. Squeegee lift lever
27. Squeegee string
28. Box circuit
29. Charger
30. Battery charge indicator
31. Solution flow control lever
32. Electromagnetic valve data
33. Squeegee

- 34. Squeegee hose
- 35. Squeegee wheels
- 36. Axle
- 37. Thumb nut
- 38. Vacuum system motor
- 39. Brush motor
- 40. Drive belt
- 41. Belt
- 42. Squeegee rotation plate
- 43. Squeegee lift plate
- 44. Squeegee fixing plate
- 45. Motor fixing plate





- 46. Control panel
- 47. Main switch
- 48. Brush motor switch
- 49. Vacuum motor switch
- 50. Suction Electromagnetic valve data switch
- 51. Electric quantity indicator
- 52. Brush motor indicator
- 53. Vacuum motor indicator
- 54. Suction Electromagnetic valve data indicator

TECHINICAL DATA

Machine length*width*height	770x500x550MM
Solution tank capacity	15L
Recovery tank capacity	15L
Wheel diameter	254MM
Brush motor data	24V 250W
Vacuum motor data	24V 300W
Electromagnetic valve data	24V
Maximum gradient	2%
Sound lever	68 dBA
Batteries data	(2X12V) 24V 35Ah/20h
Power cable length	/
Batteries spec	196 x 130 x 175mm
Working capacity, up to	1000mm H ₂ O
Cleaning productivity	750m ² /hour
Squeegee width	490mm
Brush diameter	380mm
Brush rpm	150rpm
Charger	Input 100-240 Vac, 50-60HZ Output 24Vdc, 5A
Operating Weight	60kg
Gross Weight	65kg
Carton spec	780x145x590MM

TROUBLESHOOTING

Trouble	Possible Cause	Remedy
The machine does not work, indicator light (51) do not turns on	The battery connector is disconnected	Connect
	The batteries are completely discharged	Charge the batteries
	The power line disconnected from the power	Connect
The machine does not work, indicator light(51) display red	The batteries are discharged	Charge the batteries
Brush motor does not work, brush indicator light (52) do not turns on	The PCB or key board is faulty	Change the PCB or key board
Brush motor does not work, brush indicator lights (52) flash	The deck motor is overloaded	Use less aggressive brushes suitable for the floor to be cleaned
	There are foreign materials(tangled threads,etc)preventing the brush from rotating	Clean the brush hub
Vacuum system motor does not work, vacuum motor indicator light (53) do not turns on	The PCB or key board is faulty	Change the PCB or key board
Vacuum system motor does not work, brush indicator lights (53) flash	The vacuum system motor is overloaded	Check the vacuum system motor
The suction power is insufficient	The recovery tank is full.	Empty the recovery tank.
	The hose is disconnected from the squeegee	connect
	Vacuum assembly is clogged	Clean or check
	The squeegee is dirty, or the squeegee blades are worn or damaged	Clean and check the squeegee
	The recovery tank do not limited	Lock the latch(17)
	The tank cover is not properly closed, or the gasket is damaged	Close the cover properly or replace the gasket
	Squeegee adjustment piece (58) not set at an appropriate position	Adjust the screw nut (59) to the appropriate position
The solution flow is insufficient.	The solution is empty	Fill the tank
	Solution flow control valve(31) is block up	Clean the valve
	The solution is dirty	Empty the solution, clean the tank and refill with clean solution
The squeegee leaves marks on the floor.	There is debris under the squeegee blades	Remove the debris
	The squeegee blades are worn, chipped or torn	Replace the blades

SICHERHEITSHINWEISE

Dieses Gerät ist für den gewerblichen Gebrauch vorgesehen. Es ist für den Einsatz in Innenbereichen konstruiert und ist für keinen anderen Zweck bestimmt. Nur zusammen mit empfohlenem Zubehör verwenden.

Alle Bediener müssen die folgenden Sicherheitshinweise lesen, verstehen und umsetzen:

1) DAS GERÄT NICHT BETREIBEN:

Es sei denn geschult und autorisiert.

Es sei denn, Sie haben dieses Bedienerhandbuch gelesen und verstanden.

In brand- oder explosionsgefährdeten Bereichen.

Wenn nicht in ordnungsgemäßem Betriebszustand.

In Außenbereichen.

2) VOR DEM GERÄTEBETRIEB:

Sicherstellen, dass sich alle Sicherheitsvorrichtungen an Ort und Stelle befinden und ordnungsgemäß funktionieren.

3) WENN DIE MASCHINE BETRIEBEN WIRD:

An Steigungen und auf schlüpfrigen Oberflächen langsam gehen.

Alle Sicherheitsrichtlinien einhalten.

Sehr vorsichtig sein, wenn die Maschine im Rückwärtsgang verwendet wird.

Jeglichen Maschinenschaden für dem Betrieb berichten und reparieren.

4) BEVOR DIE MASCHINE VERLASSEN ODER GEWARTET WIRD:

Die Maschine auf ebenem Boden anhalten.

Die Maschine ausschalten.

5) WENN DIE MASCHINE GEWARTET WIRD:

Das Bedienerhandbuch vor dem Einsatz oder der Wartung der Maschine gründlich lesen.

Vom Hersteller gelieferte oder genehmigte Ersatzteile verwenden.

Die Maschine vor dem Aufbocken mit Radblöcken sichern.

Für sicheres Aufbocken der Maschine genehmigten Hebebock oder genehmigtes Hebezeug verwenden.

WENN DIE MASCHINE GEWARTET WIRD: (Ff)

Trennen Sie die Batterien ab, bevor Sie an der Maschine arbeiten.

Handschuhe tragen, wenn Sie mit den Batterien oder Batteriekabeln umgehen.

Vermeiden Sie jeglichen Kontakt mit der Batteriesäure.

Bewegliche Teile vermeiden. Tragen Sie beim Warten der Maschine keine locker sitzende Kleidung.



WARNUNG!

Batterien setzen Wasserstoff frei. Wasserstoff kann eine Explosion oder einen Brand verursachen. Funken und offene Flammen fernhalten! Das Batteriefach beim Laden offen lassen.

BETRIEBSANLEITUNG



WARNUNG!

Brennbare Stoffe können eine Explosion oder einen Brand verursachen. In den Tanks keine brennbaren Stoffe verwenden.



WARNUNG!

Brennbare Stoffe oder reaktive Metalle können eine Explosion oder einen Brand verursachen. Nicht aufnehmen.

MASCHINENAUFBAU UND INSTALLATION

DIE MASCHINE AUSPACKEN

Den Packkarton auf Schäden untersuchen. Jeglichen Schaden dem Lieferanten sofort melden. Überprüfen Sie den Packungsinhalt, um sicherzustellen, dass folgende Teile vorhanden sind:

8. Maschine
9. Batterien (2 Stk.)
10. Gummiabzieher-Baugruppe
11. Bedienungsanleitung der Scheuersaugmaschine
12. Anleitung für das Elektro-Batterieladegerät (falls damit ausgestattet)
13. Anschlusskabel für Batterie und Ladegerät (falls damit ausgestattet)
14. Bürsten- oder Padtriebteiler (falls damit ausgestattet)

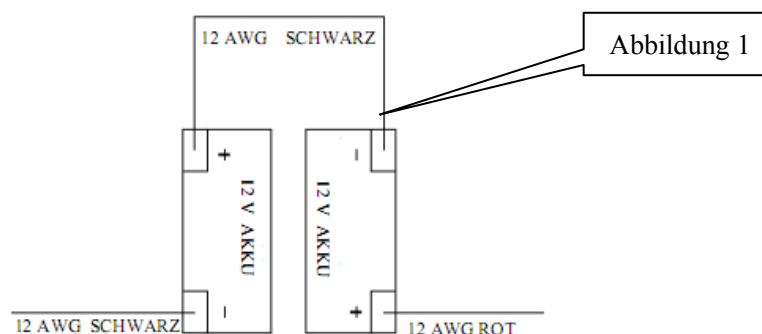
BATTERIEN AUSBAUEN UND EINSETZEN

6. Den Hauptschalter ausschalten (47).
7. Den Schmutzwassertank (2), wie im entsprechenden Abschnitt gezeigt, abnehmen.
8. Den Bolzen von den Batterien (16) abschrauben, anschließend entfernen oder auswechseln.
9. Die Batterien entsprechend der untenstehenden Zeichnung in die Maschine einsetzen.
10. Den Schmutzwassertank einsetzen.



WARNUNG

Wenn die Batterien ausgebaut oder eingesetzt werden, nicht + an + oder – an – anschließen. Dies ist sehr gefährlich.



AUFLADEN DER BATTERIE

Die Batterien laden (siehe das Verfahren im Abschnitt Wartung).

MASCHINENAUFBAU

Überprüfungen vor dem Betrieb

- Die zu reinigende Fläche wischen oder trocken wischen.
- Vergewissern Sie sich, dass der Gummiabzieher ordnungsgemäß installiert ist.
- Den Gummiabzieher (33) mithilfe des Hebels (26) absenken.
- Überprüfen, ob die Batterie vollständig geladen ist (siehe BATTERIEN AUFLADEN).
- Überprüfen, ob Bürste/Pad ordnungsgemäß installiert ist.

Bürsten-/Padtriebteiler installieren und ausbauen.



HINWEIS

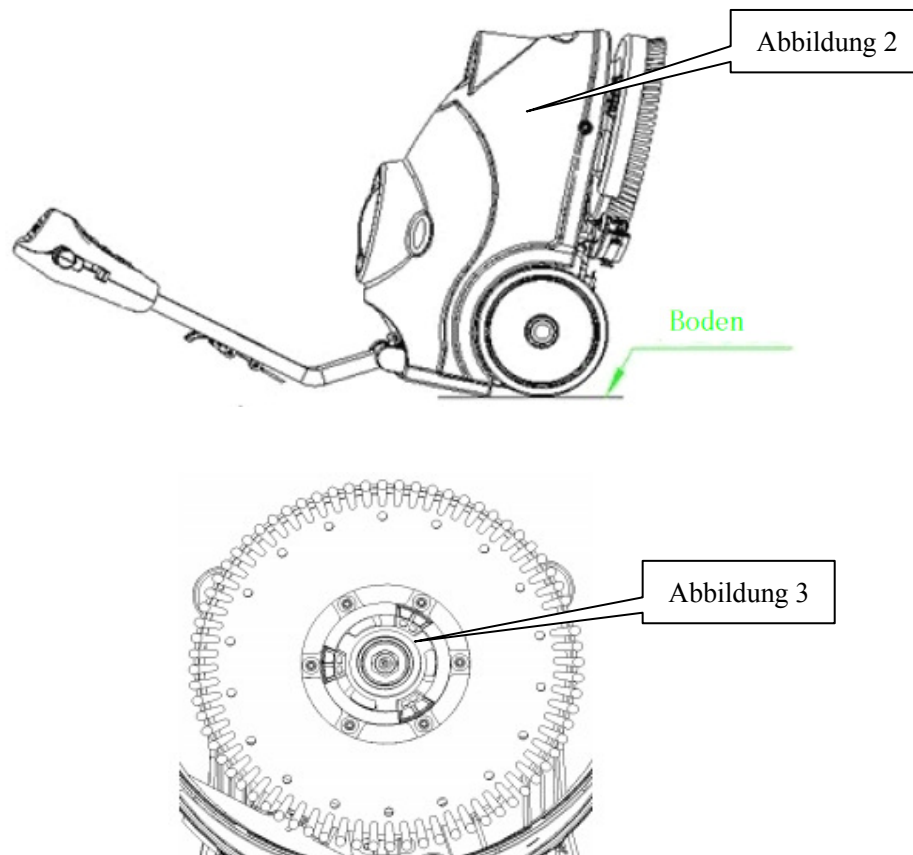
*Nur manuell installieren. Bei automatischer Installation Bürstennabenverschleiß.
Vor dem Ausbau der Bürste sicherstellen, dass die Tanks leer sind.*

- Die Maschine ausschalten.
- Die Maschine in diese Position, wie in Abbildung 2 dargestellt, ablegen. Den Hubhebel (26) nach oben ziehen und den Gummiabzieher (33) anheben.
- Bürste oder Padtriebteiler auf die Antriebsradnabe montieren und anschließend, wie in Abbildung 3 gezeigt, bis zum Einrasten gegen den Uhrzeigersinn drehen.
- Zum Ausbau von Bürste/Pad, Bürste/Pad im Uhrzeigersinn von der Antriebsradnabe frei drehen.



WARNUNG

Die Maschine in der unten dargestellten Position nicht einschalten. In diesem Fall würde die Bürste/das Pad ausschlagen und Verletzungen verursachen.

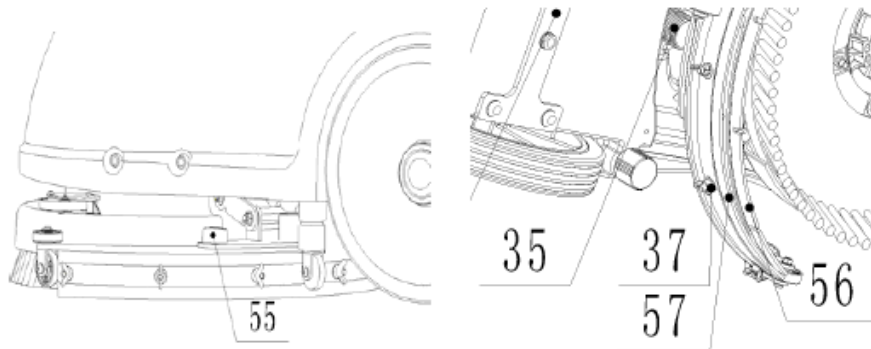


Installation des Gummiabziehers

- Die Maschine (47) ausschalten.
- Den Hubhebel des Gummiabziehers (26) nach unten ziehen, um den Gummiabzieher auf die "Arbeitsposition" herabzusetzen.

BETRIEBSANLEITUNG

- Die Maschine in dieser Position, wie in Abbildung 2 gezeigt, ablegen.
- Lösen Sie die zwei Knöpfe (55) am Gummiabzieher und schieben Sie den Gummiabzieher in die Schlitz an der Rückseite der Gummiabzieherhalterung.
Ziehen Sie die Knöpfe gut fest (die Knöpfe für den Ausbau abdrehen).
- Zum Austausch des vorderen/hinteren Gummiabziehers (56/57) die Flügelmutter (37) abdrehen.



Den Lösungstank befüllen



HINWEIS

Die Maschine kann mit einem Schlauch oder einem Eimer befüllt werden. Den Lösungsfilter (21) während des Befüllens nicht abnehmen.

- Füllen Sie über einen Schlauch oder Eimer Wasser durch den Einlass (20) in den Lösungstank (3).
- Befüllen Sie den Lösungstank nicht vollständig, sondern nur bis einige Zentimeter unter den Rand.
- Die Wassertemperatur darf 40 °C nicht überschreiten.



VORSICHT!

Nur schaumarme und nicht brennbare Reiniger verwenden, die für automatische Scheueranwendungen vorgesehen sind.

Den Lösungstank ablassen



HINWEIS

Nach jedem Scheuern sollte der Lösungstanks entleert und gereinigt werden.

- Die Ablasskappe (22) am Boden des Lösungstanks abdrehen. Dadurch kann die Lösung frei in einen Eimer oder Bodenabguss fließen.
- Spülen Sie den Lösungstank nach jedem Gebrauch mit klarem Wasser aus. Das verhindert die Ablagerung von Chemikalien und das Verstopfen der Lösungsleitungen.
- Die Ablasskappe (22) zudrehen.

Ablassen des Schmutzwassertanks



HINWEIS

Nach jedem Scheuern sollte der Lösungstanks entleert und gereinigt werden.

- Die Verriegelung (17) des Schmutzwassertanks abdrehen und den Schmutzwassertank von der Maschine abnehmen, indem Sie in die zwei Tankrillen greifen. Den Deckel (1) öffnen und den Schmutzwassertank umdrehen, um das Schmutzwasser in einen Behälter abzulassen oder die Ablasskappe (22) abdrehen, um das Wasser in einen Eimer abzuleiten.

5. Spülen Sie den Schmutzwassertank nach jedem Gebrauch mit klarem Wasser aus.
6. Bringen Sie den Schmutzwassertank wieder auf der Maschine an und drehen Sie zur Sicherung des Tanks die Verriegelung (17) wieder zu.

MASCHINENBETRIEB

8. Stellen Sie den Griff auf eine bequeme Höhe ein, indem Sie den Hebel (25) drücken.
9. Senken Sie den Gummiabzieher (33) auf den Boden ab, indem Sie den Hubmechanismus (26) herunterdrücken.
10. Den Hauptschalter einschalten (47).
11. Den Bürstenmotorschalter (48) und den Lösungsschalter (50) einschalten; die Betriebsanzeige leuchtet auf.
12. Den Vakuummotorschalter (49) einschalten, die Betriebsanzeige leuchtet auf.
13. Wenn nötig, den Wasserausstrom anpassen, indem Sie das Kugelventil (31) manuell drehen.
14. Ziehen Sie an einem oder beiden roten Betriebsauslösern (24), die Bürste beginnt sich zu drehen und die Lösung strömt aus. Setzen Sie die Maschine in Bewegung und beginnen Sie mit dem Reinigen.

HINWEIS

Leuchtet die Batterieanzeige (51) grün, kann die Maschine eingesetzt werden. Leuchtet sie gelb oder rot, müssen die Batterien aufgeladen werden.



VORSICHT!

Schalten Sie die Bürste vor dem Anheben aus, indem Sie den Schalter (47) drücken.



VORSICHT!

Beim Reinigen sehr anspruchsvoller Böden oder anderer Beläge, die den Maschinenbetrieb erschweren, blinken die Bürstenmotor- und Vakuumanzeigen auf der Steuertafel (46) gleichzeitig. Dies bedeutet, dass die Maschine überlastet ist.

Bitte schalten Sie alle Schalter auf der Steuertafel (46) aus.



VORSICHT!

Verwenden Sie die Maschine nicht mit entladenen Batterien, um Schäden an den Batterien und die Verringerung der Batterielebensdauer zu vermeiden.

NACH DEM GEBRAUCH DER MASCHINE

Nach dem Scheuern bitte mit folgenden Maßnahmen fortfahren, bevor Sie die Maschine verlassen.

6. Die Bürsten-/Padhalterung abnehmen.
7. Die Tanks mit Vollflüssigkeit trocknen.
8. Die täglichen Wartungsarbeiten (siehe Kapitel Wartung) durchführen.
9. Die Maschine mit Bürsten-/Padhalterung und Gummiabzieher an einem sauberen und trockenen Ort lagern.
10. Wenn die Maschine in einem Bereich gelagert wird, der Temperaturen unter dem Gefrierpunkt erreichen kann, vor der Lagerung sicherstellen, dass alle Flüssigkeiten aus der Maschine abgelassen wurden. Jegliche Schäden durch Temperaturen unter dem Gefrierpunkt werden von der Gewährleistung nicht abgedeckt.

WENN DIE MASCHINE ÜBER EINEN LÄNGEREN ZEITRAUM NICHT VERWENDET WIRD

Wenn die Maschine für mehr als 30 Tage nicht verwendet wird, folgende Maßnahmen ergreifen:

BETRIEBSANLEITUNG

1. Führen Sie die Maßnahmen im Abschnitt „Nach dem Gebrauch der Maschine“ durch.
2. Trennen Sie den Batterieanschluss ab.

WARTUNG

Die Lebensdauer der Maschine und ihre maximale Betriebssicherheit werden durch eine korrekte und regelmäßige Wartung gewährleistet. Die folgende Tabelle bietet einen Wartungszeitplan. Die aufgeführten Intervalle können entsprechend den jeweiligen Arbeitsbedingungen variieren und werden von der für die Wartung verantwortlichen Person festgelegt.



WARNUNG

Wartungsarbeiten müssen bei ausgeschalteter Maschine und abgetrennten Batterie-Ladekabel vorgenommen werden. Lesen Sie des Weiteren sorgfältig die Anweisungen im Kapitel Sicherheit.

Alle geplanten oder außerordentlichen Wartungsarbeiten müssen von qualifiziertem Personal oder einem autorisierten Wartungscenter durchgeführt werden.

Dieses Handbuch beschreibt lediglich die leichten und allgemein üblichen Wartungsarbeiten.

Schlagen Sie für andere in der Wartungsplantabelle aufgeführten Wartungsarbeiten im Wartungshandbuch nach, das Sie bei jedem Wartungscenter einsehen können.

WARTUNGSPLANTABELLE

Maßnahme	Täglich, nach dem Gebrauch der Maschine	Wöchentlich	Alle sechs Monate	Jährlich
Aufladen der Batterie				
Reinigung des Gummiabziehers				
Bürstenreinigung				
Reinigung von Tank- und Vakuulgitter mit Schwimmer, Deckeldichtung überprüfen				
Überprüfung und Austausch des Gummiabzieherwischers				
Reinigung des Lösungsfilters				
Reinigung des Schmutzwasserleitungsfilters				
Überprüfung der Schrauben und Muttern auf festen Sitz			(1)	
Sich drehende Teile werden geschmiert			(1)	
Motor-Kohlebürsten der Bürsten-/Padhalterung prüfen oder austauschen				(2)
Kohlebürste des Vakuumsystemmotors überprüfen oder austauschen				(2)

(1) Und nach den ersten 8 Arbeitsstunden.

(2) Diese Wartungsmaßnahme muss von einem autorisierten Viper-Wartungscenter durchgeführt werden.

AUFLADEN DER BATTERIE



HINWEIS

Die Batterien bei gelber oder roter Anzeige (51) oder am Ende jedes Arbeitszyklus aufladen.



VORSICHT!

Wenn Sie die Batterien aufgeladen halten, verlängert dies deren Lebensdauer.



VORSICHT!

Wenn die Maschine nicht mit einem eigenen Batterieladegerät ausgestattet ist, ein externes Batterieladegerät auswählen, das sich für den installierten Batterietyp eignet.



WARNUNG!

Bitte ein von Viper genehmigtes Ladegerät zum Laden der Batterien nutzen.



WARNUNG!

Beim Laden von NASS-Batterien besondere Vorsicht walten lassen, da es zum Austreten von Batterieflüssigkeit kommen kann. Die Batterieflüssigkeit ist korrosiv. Falls es zu Haut- oder Augenkontakt kommt, gründlich mit Wasser spülen und einen Arzt konsultieren.

1. Stellen Sie das Ladegerät und die Maschine in einen gut belüfteten Bereich.
2. Die Maschine ausschalten (47).
3. Den Schmutzwassertank (2) abnehmen und das Batteriefach freilegen.
4. Das Ladekabel an eine geerdete Wandsteckdose (100 V ~ 240 V) anschließen.
Das Ladekabel an die Maschinensteckdose anschließen.
5. Eine leuchtende Ladeanzeige (30) bedeutet, dass geladen wird, eine grüne Anzeige bedeutet, dass der Ladevorgang abgeschlossen ist.
6. Trennen Sie nach vollständigem Ladevorgang zuerst das Ladekabel von der Wandsteckdose und anschließend von der Maschine.
7. Den Schmutzwassertank wieder einsetzen.



HINWEIS

Weitere Informationen über die Bedienung des Ladegeräts (29) im entsprechende Abschnitt.

REINIGUNG DES GUMMIABZIEHERS



HINWEIS

Der Gummiabzieher muss sauber und seine Wischer müssen in gutem Zustand sein, damit eine gute Reinigung erzielt wird.



VORSICHT!

Es ist ratsam, bei der Reinigung des Gummiabziehers Schutzhandschuhe zu tragen, da scharfe Ablagerungen vorhanden sein können.

ÜBERPRÜFUNG UND AUSTAUSCH DES GUMMIABZIEHERWISCHERS

1. Nehmen Sie den Gummiabzieher, wie im vorigen Abschnitt gezeigt, ab.
2. Per Sichtprüfung feststellen, ob die Ränder der vorderen/hinteren Wischer eingerissen sind und wenn nötig durch neue austauschen.
3. Die sechs Flügelmuttern (37) abschrauben, um die Wischer abzunehmen.
4. Die vorderen/hinteren Wischer auf Integrität, Schnitte oder Risse überprüfen. Bei Bedarf umdrehen

oder austauschen.

5. Installieren Sie den Gummiabzieher in umgekehrter Abbau-Reihenfolge.

REINIGUNG VON BÜRSTE/PADTRIEBTeller



VORSICHT!

Es ist ratsam, bei der Reinigung von Bürste/Pad Schutzhandschuhe zu tragen, da scharfe Ablagerungen vorhanden sein können.

1. Bürste/Pad, wie im Kapitel Gebrauch gezeigt, abnehmen.
2. Bürste/Pad mit Wasser und Reinigungsmittel reinigen und abwaschen.
3. Die Borsten auf Integrität und Verschleißerscheinungen überprüfen; wenn nötig die Bürste austauschen.
4. Das Pad auf Verschleißerscheinungen überprüfen; wenn nötig den Padtriebteiler austauschen.

REINIGUNG VON TANK- UND VAKUUMGITTER MIT SCHWIMMER UND DECKELDICHUNGSPRÜFUNG



VORSICHT!

Es ist ratsam, bei der Reinigung des Tanks und der Vakuum/Saugbaugruppe Schutzhandschuhe zu tragen, da scharfe Ablagerungen vorhanden sein können.

1. Bringen Sie die Maschine zum ausgewiesenen Entsorgungsbereich.
2. Den Hauptschalter ausschalten (47).
3. Den Schmutzwassertank (2) abnehmen, sowohl Lösungs- als auch Schmutzwassertank reinigen, ausspülen und ablassen.
4. Alle Vakuum-Kits, Dichtungen, Filter abnehmen, reinigen und wieder einsetzen.
5. Den Deckel-Dichtungsring des Schmutzwassertanks und den Vakuum-Gummianschluss (18) zwischen den zwei Tanks auf Integrität überprüfen.



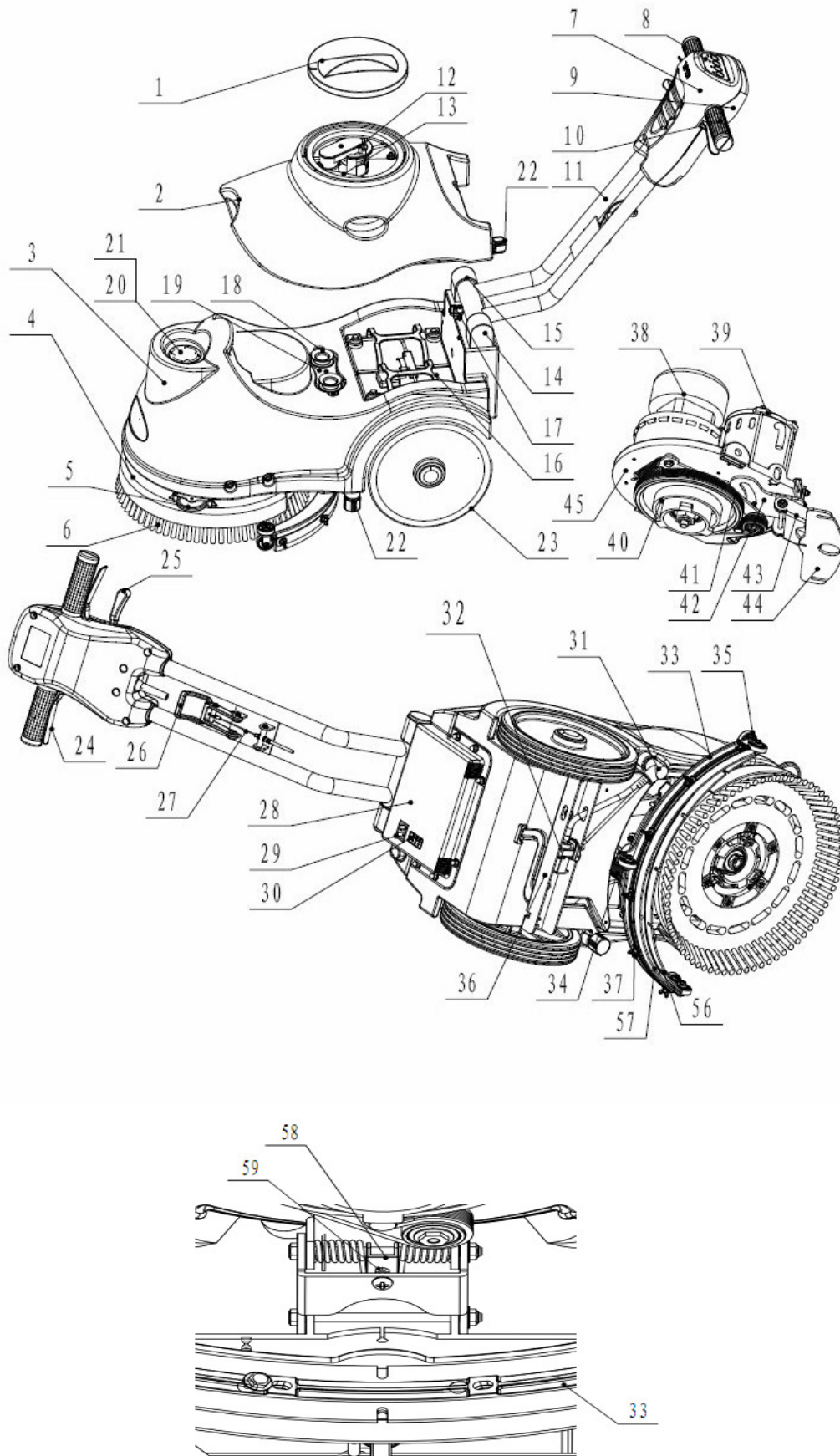
HINWEIS

Der Dichtungsring des Schmutzwassertanks und der Gummianschluss zwischen den zwei Tanks erzeugen im Tank ein Vakuum. Wenn nötig austauschen.

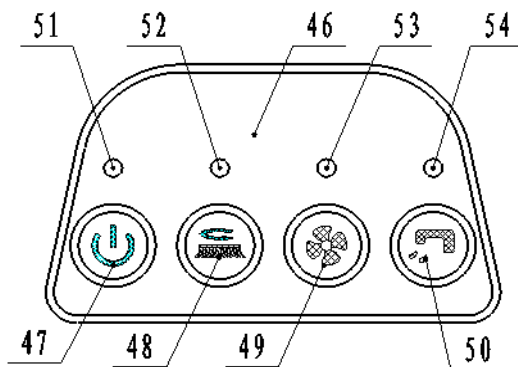
MASCHINENAUFBAU

1. Schmutzwassertankdeckel
2. Schmutzwassertank
3. Lösungstank
4. Deckelbürste
5. Schutzrollen
6. Bürste
7. Vorderes Griffgehäuse
8. Steuertafel
9. Hinteres Griffgehäuse
10. Griffgummi
11. Griff-Eisenrohr
12. Gummiabzieher-Vakuumbaugruppe

13. Gummiabzieher-Saugbaugruppe
14. Links-Positionierung
15. Rechts-Positionierung
16. Batterien
17. Verriegelung
18. Gummidichtung
19. Schlauchbegrenzungsgelenk
20. Einlass
21. Lösungsfilter
22. Lösungstank-Ablassvorrichtung
23. Räder auf feststehender Achse
24. Griff links und rechts
25. Griff-Drehhebel
26. Gummiabzieher-Hubhebel
27. Gummiabzieherschnur
28. Steuerkreis
29. Ladegerät
30. Batterie-Ladeanzeige
31. Lösungsausstrom-Steuerhebel
32. Elektromagnetventildaten
33. Gummiabzieher
34. Gummiabzieherschlauch
35. Gummiabzieherräder
36. Achse
37. Flügelmutter
38. Vakuumsystemmotor
39. Bürstenmotor
40. Antriebsriemen
41. Riemen
42. Gummiabzieher-Drehplatte
43. Gummiabzieher-Hubplatte
44. Gummiabzieher-Feststellplatte
45. Motor-Feststellplatte



Steuertafel



- 46. Steuertafel
- 47. Hauptschalter
- 48. Bürstenmotorschalter
- 49. Vakuummotorschalter
- 50. Saugmagnetventil-Datenschalter
- 51. Elektrische Mengenanzeige
- 52. Bürstenmotoranzeige
- 53. Vakuummotoranzeige
- 54. Saugmagnetventil-Datenanzeige

TECHNISCHE DATEN

Maschine länge x breite x höhe	770 x 500 x 550 mm
Lösungstankkapazität	15 L
Schmutzwassertankkapazität	15 L
Raddurchmesser	254 mm
Bürstenmotordaten	24 V x 250 W
Vakuummotordaten	24 V x 300 W
Elektromagnetventildaten	24V
Maximale steigung	2%
Geräuschpegel	68 dBA
Batteriedaten	(2 X 12V) 24V 35Ah/20h
Stromkabellänge	/
Batteriespezifikationen	196 x 130 x 175 mm
Arbeitskapazität, bis zu	1000 mm H2O
Reinigungsleistung	750 m ² /Stunde
Gummiabzieherbreite	490 mm
Bürstendurchmesser	380 mm
Bürstenumdrehungen pro minute	150 U/m
Ladegerät	Eingang 100-240 VAC, 50– 60Hz Ausgang 24 Vdc, 5 A
Betriebsgewicht	60 kg
Gesamtgewicht	65 kg
Kartonabmessungen	780x415x590MM

PROBLEMBEHEBUNG

Problem	Mögliche Ursache	Lösungsvorschlag
Die Maschine arbeitet nicht, die Anzeige (51) leuchtet nicht auf	Batterieanschluss ist getrennt	Anschließen
	Die Batterien sind vollständig entladen	Batterien aufladen
	Die Stromleitung ist von der Stromzufuhr getrennt	Anschließen
Die Maschine arbeitet nicht, die Anzeige (51) ist rot	Die Batterien sind entladen	Batterien aufladen
Bürstenmotor arbeitet nicht, die Anzeige (52) leuchtet nicht auf	Die Steuertafel oder die Tastatur weist einen Bruch auf	Steuertafel oder Tastatur austauschen
Bürstenmotor arbeitet nicht, die Bürsten-Anzeige (52) blinkt	Der Motor ist überlastet	Weniger starke Bürsten nutzen, die für den zu reinigenden Boden geeignet sind
	Fremdkörper (verworrene Fäden etc.) verhindern das Drehen der Bürste	Bürstennabe reinigen
Vakuumsystemmotor arbeitet nicht, Vakuummotor-Anzeige (53) leuchtet nicht auf	Steuertafel oder Tastatur weist einen Bruch auf	Steuertafel oder Tastatur austauschen
Vakuumsystemmotor arbeitet nicht, die Bürsten-Anzeige (53) blinkt	Der Vakuumsystemmotor ist überlastet	Den Vakuumsystemmotor überprüfen
Das Aufsaugen von Schmutzwasser ist unzureichend	Den Schmutzwassertank ist voll.	Den Schmutzwassertank leeren.
	Der Schlauch hat sich vom Gummiabzieger gelöst	Anschließen
	Die Vakuumbaugruppe ist verstopft	Reinigen oder überprüfen
	Der Gummiabzieger ist verschmutzt oder die Gummiabziegerwischer sind verschlissen oder beschädigt	Den Gummiabzieger reinigen und überprüfen
	Schmutzwassertank nicht begrenzt	Verriegelung (17) schließen
	Der Tankdeckel ist nicht ordnungsgemäß verschlossen oder die Dichtung ist beschädigt	Deckel ordnungsgemäß schließen oder Dichtung austauschen
	Gummiwischer-Stellteil (58) in ungeeigneter Position	Mithilfe der Schraubenmutter (59) in geeignete Position einstellen
Der Lösungsausstrom ist unzureichend	Die Lösung ist aufgebraucht	Wasser nachfüllen
	Das Steuerventil (31) des Lösungsausstroms ist blockiert	Ventil reinigen
	Die Lösung ist verschmutzt	Die Lösung reinigen
Der Gummiabzieger hinterlässt auf dem Boden Spuren	Unter den Gummiabziegerwischern befinden sich Verschmutzungen	Verschmutzungen entfernen
	Die Gummiabziegerwischer sind verschlissen, beschädigt oder gerissen	Wischer austauschen

CONSIGNES DE SECURITE

Cet appareil est destiné à un usage professionnel. Il est conçu pour une utilisation en intérieur à l'exclusion de tout autre usage. N'utiliser qu'avec les accessoires recommandés.

Tous les utilisateurs doivent lire, comprendre et appliquer les consignes de sécurité suivantes :

1) NE PAS MANŒVRER L'APPAREIL :

Sans avoir été préalablement formé et autorisé.
Sans avoir lu et compris le mode d'emploi
Dans des zones inflammables ou explosives.
S'il n'est pas en bon état de fonctionnement.
En extérieur.

2) AVANT D'UTILISER L'APPAREIL :

Assurez-vous que tous les équipements de sécurité sont présents et fonctionnent correctement.

3) LORS DE L'UTILISATION :

Allez doucement sur les pentes et les surfaces glissantes.
Respectez toutes les consignes de sécurité.
Soyez très prudents quand vous utilisez l'appareil en marche arrière.
Signalez et réparez tout dommage de l'appareil avant de l'utiliser.

4) AVANT DE QUITTER OU D'ENTREtenir L'APPAREIL :

Immobiliser l'appareil sur un sol plat.
Éteindre l'appareil.

5) LORS DE L'ENTRETIEN :

Lire intégralement le mode d'emploi avant d'utiliser ou d'entretenir cet appareil.
Utiliser les pièces de rechange fournies ou approuvées par le fabricant.
Immobilisez l'appareil avec des cales roues avant le levage de l'appareil.
Utiliser un palan ou un cric approuvé pour soulever l'appareil en toute sécurité.

LORS DE L'ENTRETIEN: (suite)

Débranchez les batteries avant de travailler sur l'appareil.
Porter des gants lors de la manipulation des batteries ou des câbles des batteries.
Évitez tout contact avec l'acide de la batterie.
Évitez les pièces en mouvement. Ne portez pas de vêtements amples lorsque vous entretenez l'appareil.



ATTENTION !

Les batteries émettent de l'hydrogène. L'hydrogène peut entraîner des explosions ou des incendies. Tenez éloignées les étincelles et les flammes ! Gardez le compartiment à batteries ouvert lors de la charge.



ATTENTION !

Les matériaux inflammables peuvent provoquer une explosion ou un incendie. Ne pas utiliser de matériaux inflammables dans les réservoirs.

MODE D'EMPLOI



ATTENTION!

Les matières inflammables ou métaux réactifs peuvent provoquer une explosion ou un incendie. Ne pas toucher.

REGLAGE DE L'APPAREIL & INSTALLATION

DEBALLAGE DE L'APPAREIL

Assurez-vous d'inspecter le carton à la recherche d'éventuelles détériorations. Signalez immédiatement tout dommage au transporteur.

Vérifiez le contenu de l'emballage pour vous assurer que les articles suivants sont bien présents :

1. Appareil
2. Batteries (x2)
3. Le dispositif de raclage
4. Le mode d'emploi de l'autolaveuse
5. Le mode d'emploi du chargeur électrique de batteries (le cas échéant)
6. Câbles de raccordement pour la batterie et le chargeur (le cas échéant)
7. Entraîneur de brosse ou de patin (le cas échéant)

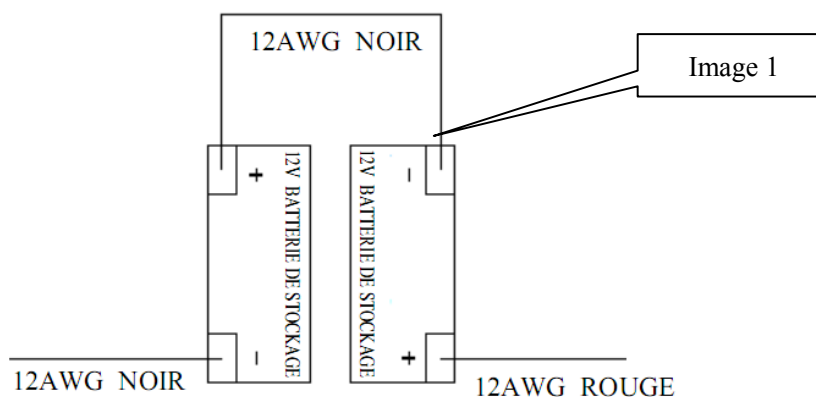
DEMONTAGE ET INSTALLATION DES BATTERIES

1. Éteindre l'interrupteur principal (47).
2. Enlevez le réservoir de récupération (2) comme indiqué dans le paragraphe correspondant.
3. Dévissez les cosses des batteries (16), puis retirez ou changez.
4. Installez les batteries sur l'appareil selon le schéma ci-dessous.
5. Installez le réservoir de récupération.



AVERTISSEMENT

Ne pas connecter le + au + ou le - au -, lors du démontage ou de l'installation des batteries. Cela est très dangereux.



Chargement de la batterie

Chargez les batteries (voir la procédure à suivre dans le chapitre sur l'entretien).

REGLAGE DE L'APPAREIL

Vérifications avant usage

1. Balayez ou dépoussiérez à l'aide d'un balai à franges la surface à nettoyer.
2. Vérifiez que la raclette est correctement installée.
3. Abaissez la raclette (33) avec le levier (26).
4. Assurez-vous que les batteries sont pleinement chargées. (voir CHARGEMENT DES BATTERIES)
5. Assurez-vous que la brosse / patin sont correctement installés.

Démontage et installation de l'entraîneur de brosse / patin



N.B.

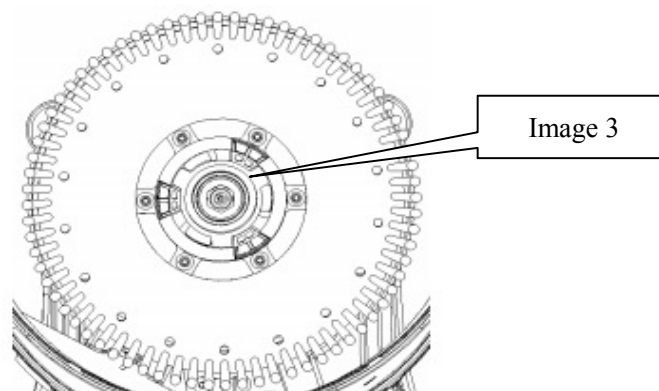
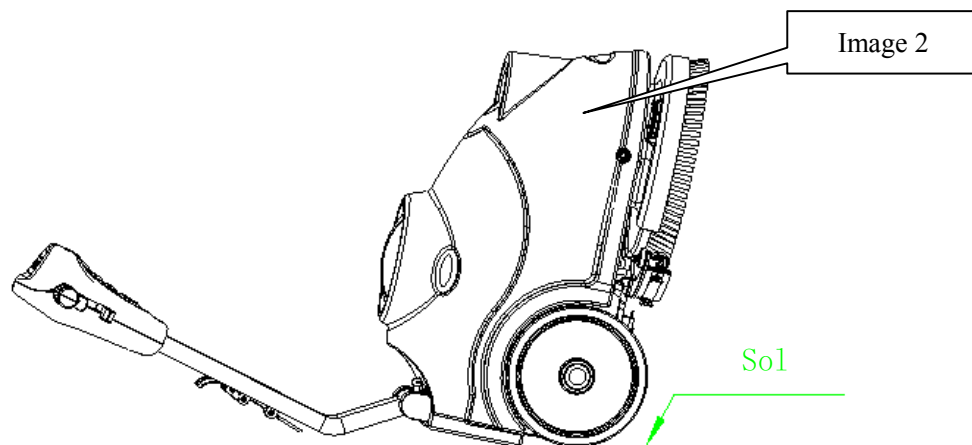
*Installation manuelle seulement. En cas d'installation automatique, cela peut user le moyeu de la brosse.
Assurez-vous que les réservoirs sont vides avant de démonter la brosse.*

1. Éteindre l'appareil.
2. Couchez l'appareil dans la position indiquée dans l'image 2, puis tirez sur le levier (26) afin de relever la raclette (33).
3. Montez l'entraîneur de brosse ou de patin sur le moyeu et tournez dans le sens inverse des aiguilles d'une montre jusqu'au verrouillage comme indiqué sur l'image 3.
4. Pour démonter la brosse / le patin, les tourner dans le sens des aiguilles d'une montre jusqu'à ce qu'ils se libèrent du moyeu.



AVERTISSEMENT

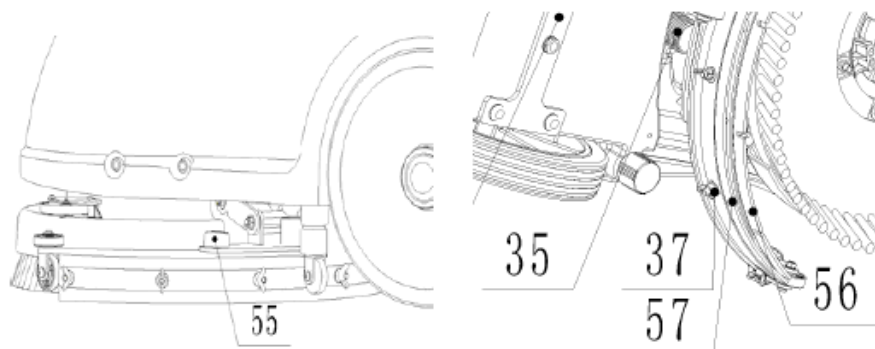
Ne mettez pas en marche l'appareil dans la position suivante. La brosse / le patin pourraient sortir ou causer des blessures.



MODE D'EMPLOI

Installation de la raclette

1. Éteindre l'appareil (47).
2. Baissez le levier d'élévation de la raclette (26) pour abaisser la raclette en position de « travail ».
3. Couchez l'appareil dans cette position comme indiqué dans l'image 2.
4. Desserrer les deux boutons (55) sur la raclette et la faire glisser entre les fentes de ses supports. Resserrer les boutons solidement (en cas de démontage, dévisser les boutons)
5. Pour remplacer la raclette avant / arrière (56/57), dévissez l'écrou à ailettes (37).



Remplissage du réservoir de solution



N.B.

L'appareil peut être rempli avec un tuyau ou un seau. Ne pas retirer le filtre de solution (21) pendant le remplissage.

1. Remplir d'eau le réservoir de solution (3) via l'ouverture (20) avec un seau ou un tuyau
2. Ne pas remplir complètement le réservoir, laisser quelques centimètres depuis le bord.
3. La température de l'eau ne doit pas dépasser 40°C.

ATTENTION !

Utiliser uniquement des détergents à faible pouvoir moussant et non inflammables, conçus pour les auto laveuses.

Vidange du réservoir de solution



N.B.

Le réservoir de solution doit être vidangé et nettoyé après chaque utilisation de l'auto laveuse.

1. Dévisser le bouchon de vidange (22) en dessous du réservoir de solution. La solution / l'eau s'écoulera dans un seau ou un siphon de sol.
2. Rincer le réservoir de solution avec de l'eau propre après chaque utilisation. Cela évitera les résidus de produit.
3. Revisser le bouchon de vidange (22).

Vidange du réservoir de récupération



N.B.

Le réservoir de récupération devrait être vidangé et nettoyé après chaque utilisation de l'auto laveuse.

1. Tournez le loquet (17) du réservoir de récupération, retirez le réservoir de récupération de

l'appareil en le saisissant par deux rainures. Ouvrir le couvercle (1) et retourner le réservoir de récupération pour vider l'eau sale dans un récipient, ou dévisser le bouchon de vidange (22) pour laisser s'écouler l'eau dans un seau.

2. Nettoyez et rincez le réservoir de récupération avec de l'eau propre après chaque utilisation.
3. Repositionnez le réservoir de récupération dans l'appareil et tournez le loquet (17) afin de verrouiller le réservoir.

UTILISATION DE L'APPAREIL

1. Positionnez la poignée à une hauteur confortable en jouant sur le niveau de pression (25).
2. Abaissez la raclette (33) sur le sol en poussant sur le mécanisme de levage (26).
3. Allumez l'interrupteur général (47).
4. Allumez l'interrupteur du moteur de brosse (48) et celui de solution (50), le témoin lumineux s'allume.
5. Allumez l'interrupteur du moteur d'aspiration (49), le témoin lumineux s'allume.
6. Si nécessaire, ajustez le débit de l'eau en tournant le robinet à boisseau (31) à la main
7. Tirez sur l'une ou sur les deux gâchettes de mise en marche (24), la brosse commence à tourner, la solution va commencer à couler. Déplacez l'appareil et commencez à nettoyer.

N.B.

Si le témoin lumineux de batterie (51) est vert, l'appareil peut être utilisé. S'il est jaune ou rouge, les batteries doivent être chargées.



ATTENTION !

Avant de lever la brosse, l'éteindre en appuyant sur l'interrupteur (47).



ATTENTION !

Lorsque vous nettoyez des sols excessivement irréguliers ou autres entraînant le non fonctionnement de l'appareil, les témoins lumineux du moteur de brosse et du moteur d'aspiration du panneau de contrôle (46) clignotent simultanément. Cela signifie que l'appareil est en surcharge.

Veillez éteindre tous les interrupteurs du panneau de contrôle (46).



ATTENTION !

Ne pas utiliser l'appareil avec des batteries déchargées, cela pourrait les endommager et réduire leur durée de vie.

APRES UTILISATION DE L'APPAREIL

Après utilisation veillez à effectuer les opérations suivantes avant de quitter l'appareil :

1. Retirez la brosse / le porte-patin.
2. Videz et séchez les réservoirs remplis de liquide.
3. Effectuez les opérations d'entretien quotidiennes (voir le chapitre entretien)
4. Entrez l'appareil dans un endroit propre et sec, avec la brosse / le porte-patin et la raclette relevée ou retirée.
5. Si la zone de stockage est sujette au gel, assurez-vous de vidanger tous les liquides de l'appareil avant de l'entreposer. Tout dommage causé par des températures négatives ne sera pas couvert par la garantie.

APRES UNE LONGUE PERIODE D'INUTILISATION

Si l'appareil ne va plus être utilisé pendant une période supérieure à 30 jours, veuillez effectuer les opérations suivantes :

MODE D'EMPLOI

1. Suivez la procédure décrite dans le paragraphe intitulé « Après l'utilisation de l'appareil ».
2. Débranchez le connecteur de la batterie.

ENTRETIEN

La durée de vie de l'appareil et le niveau de sécurité d'utilisation sont assurés par un entretien efficace et régulier. Le tableau suivant indique l'entretien prévu. Les intervalles indiqués peuvent varier en fonction de conditions de travail particulières, et seront définies par la personne responsable de l'entretien.



ATTENTION

Les procédures d'entretien s'effectuent avec l'appareil éteint et le chargeur de batteries débranché. De plus lire attentivement les instructions du chapitre Sécurité.

Toutes les procédures d'entretien prévues ou supplémentaires doivent être effectuées par un personnel qualifié ou un Service Après Vente agréé.

Ce manuel se limite à décrire les procédures d'entretien les plus simples et courantes.

Pour des informations sur les autres procédures d'entretien citées dans le tableau du programme d'entretien, adressez-vous au guide d'entretien pouvant être consulté dans tout service après vente.

TABLEAU DU PROGRAMME D'ENTRETIEN

Procédure	Quotidiennement, après utilisation	Toutes les semaines	Tous les 6 mois	Annuellement
Recharge des batteries				
Nettoyage de la raclette				
Nettoyage de la brosse				
Nettoyage du flotteur du réservoir et de la grille de l'aspiration, vérification du joint du couvercle				
Vérification et remplacement des lames de la raclette				
Nettoyage du filtre de la solution				
Nettoyage du filtre du tuyau de vidange				
Contrôle du vis et de l'écrou de serrage			(1)	
Lubrification des pièces rotatives			(1)	
Vérification ou remplacement des charbons du moteur de brosse / du patin				(2)
Vérification ou remplacement des charbons du moteur d'aspiration				(2)

(1) Et après les 8 premières heures de fonctionnement.

(2) Cette procédure d'entretien doit être effectuée par un Service Après Vente agréé par Viper.

RECHARGE DES BATTERIES



N.B.

Chargez les batteries quand le témoin lumineux est jaune ou rouge (51), ou après chaque cycle de fonctionnement.



ATTENTION !

Garder les batteries chargées allonge leur durée de vie.



ATTENTION !

Si l'appareil n'est pas équipé d'un chargeur de batteries intégré, choisissez un chargeur de batterie externe qui soit adapté au type de batteries installées.



ATTENTION !

Utilisez un chargeur agréé par Viper pour charger la batterie.



ATTENTION !

Soyez particulièrement attentif lors du chargement de batteries HUMIDES, car il pourrait y avoir des fuites de liquide des batteries. Le liquide de batterie est corrosif. En cas de contact avec la peau ou les yeux rincer abondamment avec de l'eau et consulter un médecin.

1. Placez le chargeur et l'appareil dans une endroit bien aéré.
2. Éteindre l'appareil(47).
3. Retirez le couvercle du réservoir (2), laissant apparaître le compartiment à batteries.
4. Branchez le câble de charge dans une prise murale avec terre (100v~240v).
Connectez le câble de charge à la prise de l'appareil.
5. Le témoin de charge (30) s'allume, indiquant la charge. La lumière verte signifie que la batterie est chargée.
6. Une fois la charge terminée, débranchez d'abord le câble de charge de la prise murale puis le déconnecter de l'appareil.
7. Refermez le couvercle du réservoir.



N.B.

Pour de plus amples informations à propos du fonctionnement du chargeur de batterie (29), se reporter au paragraphe concerné.

NETTOYAGE DE LA RACLETTE



N.B.

La raclette doit être propre et ses lames doivent être en bon état afin d'obtenir un bon séchage.



ATTENTION !

Il est conseillé de porter des gants de protection lors du nettoyage de la raclette, car il peut y avoir des débris tranchants.

INSPECTION ET CHANGEMENT DE LA LAME DE LA RACLETTE

1. Démontez la raclette comme indiqué dans le précédent paragraphe.
2. Inspectez l'état du bord des lames avant / arrière, pour voir s'il est fissuré. Remplacez les par de nouvelles si nécessaire.
3. Dévissez les six écrous à ailettes (37) pour démonter les lames.
4. Inspectez l'état des lames avant / arrière à la recherche de coupures et de fissures. Si elles ne sont pas en bon état, les retourner ou les remplacer.
5. Installez la raclette dans l'ordre inverse de démontage.

NETTOYAGE DE L'ENTRAINEUR DE BROSSE / PATIN



ATTENTION !

Il est préférable de porter des lunettes de protection lors du nettoyage de la brosse / du patin, présence

MODE D'EMPLOI

possible de débris tranchants.

1. Retirez la brosse / le patin tel que décrit dans le chapitre Utilisation.
2. Nettoyez la brosse / le patin à l'eau et au détergent.
3. Inspectez les poils de la brosse pour en vérifier l'état et le niveau d'usure, remplacez la brosse si nécessaire.
4. Vérifiez l'état d'usure du patin; si nécessaire remplacez l'entraîneur du patin.

RESERVOIR / GRILLE D'ASPIRATION AVEC NETTOYAGE DU FLOTEUR ET VERIFICATION DU JOINT DU COUVERCLE



ATTENTION !

Il est préférable de porter des lunettes de protection lors du nettoyage du réservoir et de l'aspirateur / du dispositif d'aspiration, présence possible de débris tranchants.

1. Amenez l'appareil sur la zone de dépôt désignée.
2. Éteignez l'interrupteur principal (47).
3. Enlever le réservoir de récupération (2), nettoyez et rincez la fois réservoir de solution/de récupération et vidanger.
4. Retirez tous les parties de l'aspiration, le joint, le filtre, nettoyez et réinstallez.
5. Vérifiez l'intégrité du joint torique du couvercle du réservoir de récupération et du raccord en caoutchouc (18) entre les deux réservoirs



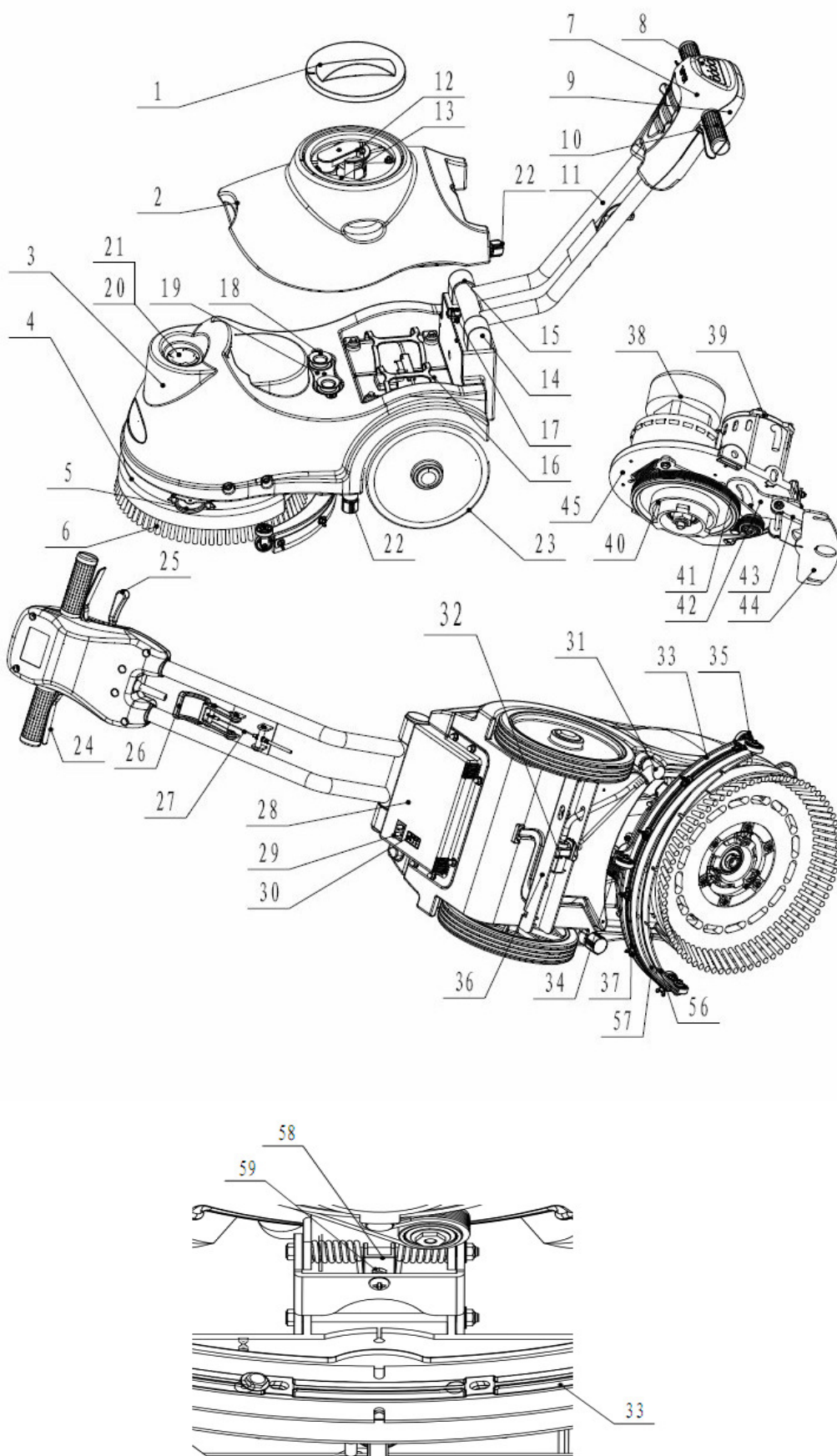
N.B.

Le joint torique du réservoir de récupération et le raccord en caoutchouc entre les deux réservoirs crée une aspiration dans le réservoir. Les remplacez si nécessaire.

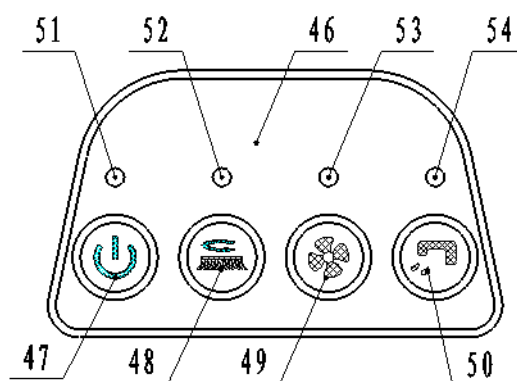
STRUCTURE DE L'APPAREIL

1. Couvercle du réservoir de récupération
2. Réservoir de récupération
3. Réservoir de solution
4. Couvercle de la brosse
5. Roulettes de protection
6. Brosse
7. Corps avant de la poignée
8. Panneau de contrôle
9. Corps arrière de la poignée
10. Caoutchouc de la poignée
11. Tube métallique de la poignée
12. Dispositif d'aspiration de la raclette
13. Dispositif de succion de la raclette
14. Positionnement gauche
15. Positionnement droit
16. Batteries
17. Levier
18. Joint en caoutchouc
19. Joint du tuyau

20. Bouchon de remplissage
21. Filtre de la solution
22. Bouchon de vidange du réservoir de solution
23. Roues à essieu fixe
24. Poignées gauche et droite
25. Levier de rotation de la poignée
26. Levier de levage de la raclette
27. Chaîne de la raclette
28. Boîtier électronique
29. Chargeur
30. Témoin lumineux de la batterie
31. Levier de contrôle du débit de solution
32. Électrovanne
33. Raclette
34. Tuyau de la raclette
35. Roues de la raclette
36. Essieu
37. Écrou à ailettes
38. Moteur du système d'aspiration
39. Moteur de la brosse
40. Courroie d'entraînement
41. Courroie
42. Plaque de rotation de la raclette
43. Plaque de levage de la raclette
44. Plaque de fixation de la raclette
45. Plaque de fixation moteur



Panneau de contrôle



- | | |
|---|--|
| 46. Panneau de contrôle | 51. Témoin lumineux d'énergie électrique |
| 47. Interrupteur général | 52. Témoin lumineux du moteur de brosse |
| 48. Interrupteur du moteur de brosse | 53. Témoin lumineux du moteur d'aspiration |
| 49. Interrupteur du moteur d'aspiration | 54. Témoin lumineux de l'électrovanne d'aspiration |
| 50. Interrupteur de l'électrovanne d'aspiration | |

DONNEES TECHNIQUES

Longueur*largeur*hauteur de l'appareil	770x500x550MM
Capacité du réservoir de solution	15L
Capacité du réservoir de récupération	15L
Diamètre des roues	254MM
Moteur de brosse	24V 250W
Moteur d'aspiration	24V 300W
Électrovanne	24V
Pente maximale	2%
Niveau sonore	68 dBA
Batteries	(2X12V) 24V 35Ah/20h
Longueur du câble d'alimentation	/
Dimension des batteries	196 x 130 x 175mm
Largeur d'aspiration	1000 mm H2°
Rendement	750m2/heure
Largeur de la raclette	490mm
Diamètre de la brosse	380mm
Vitesse de la brosse	150 tr/ min.
Chargeur	Entrée 100-240V VAC, 50-60Hz Sortie 24V DC, 5A
Poids operationnel	60kg
Poids brut	65kg
Dimensions de l'emballage	780x415x590MM

RESOLUTION DES PROBLEMES

Problème	Cause probable	Solution
L'appareil ne fonctionne pas, le témoin lumineux (51) ne s'allume pas	Le connecteur de la batterie est débranché	Branchez
	Les batteries sont complètement déchargées	Chargez les batteries
	Le câble d'alimentation est débranché	Branchez
L'appareil ne fonctionne pas, le témoin lumineux (51) s'affiche en rouge	Les batteries sont déchargées	Chargez les batteries
La brosse moteur ne fonctionne pas, le témoin lumineux de la brosse (52) ne s'allume pas	Le circuit imprimé ou le panneau de contrôle est endommagé	Changez le circuit imprimé ou le panneau de contrôle
La brosse moteur ne fonctionne pas, le témoin lumineux de la brosse (52) clignote	Le moteur est en surcharge	Utilisez des brosses moins abrasives, adaptées au sol à nettoyer
	Il y a des corps étrangers (fils emmêlés, etc) qui empêchent la brosse de tourner	Nettoyez le moyeu
Le moteur du système d'aspiration en fonctionne pas, le témoin lumineux (53) ne s'allume pas	Le circuit imprimé ou le panneau de contrôle est endommagé	Changez le circuit imprimé ou le clavier
Le moteur du système d'aspiration ne fonctionne pas, le témoin lumineux de la brosse (53) clignote	Le moteur du système d'aspiration est surchargé	Vérifiez le moteur du système d'aspiration
L'aspiration de l'eau sale est insuffisante	Le réservoir de récupération est plein.	Videz le réservoir de récupération.
	Le tuyau est débranché de la raclette	Branchez le
	Le dispositif d'aspiration est bouché	Nettoyez et contrôlez
	La raclette est sale, ou les lames de la raclette sont usées ou endommagées	Nettoyez et contrôlez la raclette
	Le réservoir de récupération n'est pas fermé	Verrouillez le loquet(17)
	Le couvercle du réservoir n'est pas correctement fermé, ou le joint est endommagé	Fermez le couvercle ou changez le joint
	La pièce de réglage de la raclette (58) est mal positionnée	Ajustez le boulon (59) jusqu'à atteindre la bonne position.
Le débit de la solution est insuffisant	Il n'y a plus de solution	Remplissez d'eau
	La valve de contrôle du débit de solution (31) est bloquée	Nettoyez la valve
	La solution est sale	Nettoyez la solution
Le racloir laisse des marques sur le sol.	Il y a des débris sous ls lames du racloir	Retirez les débris
	Les lames du racloir sont usées, ébréchées ou déchirées	Changez les lames

VEILIGHEIDSMATREGELEN

Deze machine is bedoeld voor commercieel gebruik. Het is geconstrueerd voor gebruik in een binnenomgeving en niet bedoeld voor enig ander gebruik. Gebruik alleen aanbevolen accessoires.

Elke bediener dient te lezen, begrijpen en gebruik maken van de volgende veiligheidsmaatregelen:

1) GEBRUIK DE MACHINE NIET:

- Tenzij opgeleid en bevoegd.
- Tenzij u de gebruikershandleiding hebt gelezen en begrepen.
- In brandbare of explosieve gebieden.
- Indien niet in een behoorlijk bedrijfstoestand.
- In openlucht ruimtes.

2) VOOR HET GEBRUIK VAN DE MACHINE:

Zorg ervoor dat alle veiligheidsvoorzieningen aanwezig zijn en naar behoren functioneren.

3) TIJDENS HET GEBRUIK VAN DE MACHINE:

- Rijd langzaam op hellingen en gladde oppervlakken.
- Volg alle veiligheidsvoorschriften.
- Wees zeer voorzichtig bij het gebruik van de machine in achteruit.
- Meld en herstel eventuele schade aan de machine alvorens het wordt ingezet.

4) VOOR HET VERLATEN OF ONDERHOUD VAN DE MACHINE:

- Stop de machine op een vlakke ondergrond.
- Schakel de machine uit.

5) TIJDENS HET ONDERHOUD VAN DE MACHINE:

- Lees de gebruikers handleiding grondig door voor het gebruik of onderhoud van deze machine.
- Gebruik fabrikant geleverd of goedgekeurd vervangende onderdelen.
- De machine veiligstellen met wielblokken voordat de machine omhoog wordt opgekrakt.
- Gebruik een goedgekeurde jack of takel om de machine veilig te verheffen.

TIJDENS HET ONDERHOUD VAN DE MACHINE: (VERVOLG)

- Ontkoppel de batterijen voor het werken op de machine.
- Draag handschoenen bij het hanteren van accu's of accukabels.
- Vermijd elk contact met accuzuur.
- Vermijd bewegende delen, Draag geen loszittende kleding tijdens het onderhoud van de machine.



WAARSCHUWING!

Accu's geven waterstof gas. Explosie of brand kan het gevolg zijn van waterstofgas. Hou vonken en open vuur weg! Laat de batterijlade open tijdens het opladen.



WAARSCHUWING!

Brandbare materialen kunnen leiden tot explosie of brand. Gebruik geen ontvlambare materialen in de tanks.

GEBRUIKSAANWIJZING



WAARSCHUWING!

Ontvlambare of chemisch reagerende stoffen kunnen explosies of brand veroorzaken.
Niet opnemen.

MACHINE INSTELLEN EN INSTALLEREN

UITPAKKEN VAN DE MACHINE

Zorg ervoor dat u de verpakking doos controleert voor enige schade. Onmiddellijk de schade aan de dragger te rapporteren.

Controleer inhoud van de verpakking om ervoor te zorgen dat de volgende onderdelen aanwezig zijn:

1. Machine
2. Batterijen (x2)
3. Rakelsamenstel
4. Schrobzuigmachine Gebruikershandleiding
5. Elektrische acculader (indien aanwezig)
6. aansluitdraad voor batterij en lader (indien aanwezig)
7. borstel of meeneemschijf (indien aanwezig)

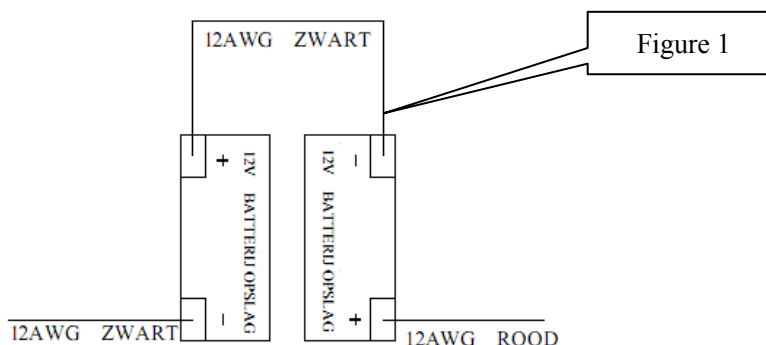
BATTERIJ DEMONTAGE EN INSTALLATIE

1. Schakel de hoofdschakelaar (47) uit.
2. Verwijder de vuilwatertank (2), zoals aangegeven in de betreffende paragraaf.
3. Draai de bout van de accu's (16) en daarna verwijderen of wijzigen.
4. Plaats de batterijen op de machine volgens onderstaande schema.
5. Installeer de vuilwatertank..



WAARSCHUWING

Verbind + niet met -, of - naar +, tijdens demontage of het installeren van de batterijen. Het is zeer gevaarlijk.



Batterij opladen

Laad de batterijen op (Zie procedure in hoofdstuk Onderhoud).

MACHINE INSTELLING

Controle vóór het gebruik

1. Veeg of dweil het te reinigen oppervlak.
2. Controleer of rakel goed is geïnstalleerd.
3. Zet de zuigmond (33) neer met de hendel (26).
4. Controleer als de accu's volledig zijn opgeladen. (Zie Batterij opladen)
5. Controleer of borstel / pad goed is geïnstalleerd.

Borstel/pad driver installatie en demontage



OPMERKING

Alleen handmatig installeren. Als automatische wordt geïnstalleert, zal het de hub borstel dragen.

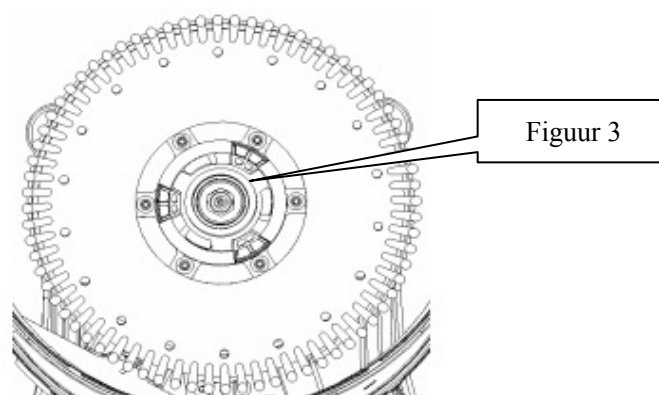
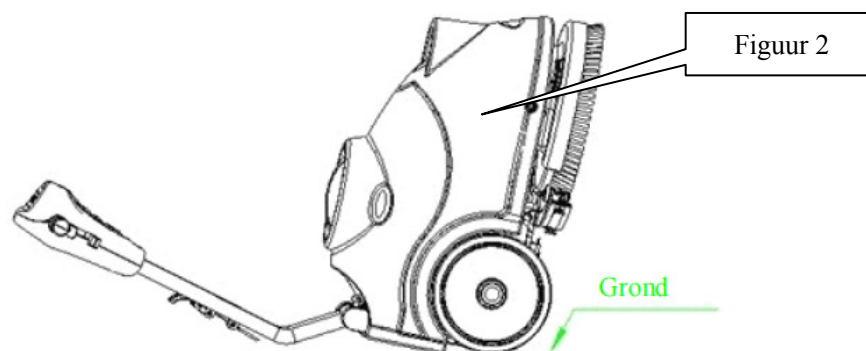
Zorg ervoor dat de tanks leeg zijn voordat de borstel wordt gedemonteerd.

1. Zet de machine uit.
2. Leg de machine neer in deze positie zoals aangegeven in Figuur 2, Trek de hendel (26) omhoog om de zuigmond (33) te verhogen.
3. Monteer de borstel of pad driver op de schijf wielnaaf en draai tegen de klok in totdat het wordt vergrendeld, zoals aangegeven in de figuur 3.
4. Om de borstel/pad te demonteren, draai de borstel / pad met de klok mee totdat deze wordt vrijgegeven van het aandrijfwiel hub.



WAARSCHUWING

Zet de machine niet in deze positie zoals hieronder. In het geval de borstel / pad losraakt kan het letsel veroorzaken.

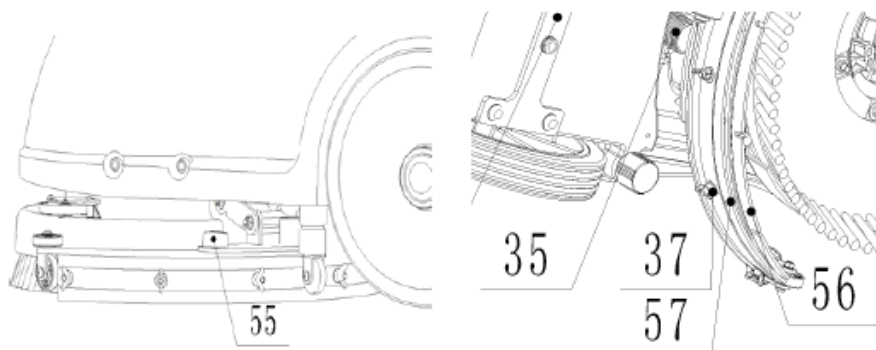


Rakel installatie

1. Schakel het apparaat uit (47).

GEBRUIKSAANWIJZING

2. Trek de rakel hendel (26) om het neer te zetten op de "werkende" positie.
3. Leg de machine neer in deze positie zoals aangegeven in de Figuur 2.
4. Draai de twee knoppen (55) op de rakel en schuif de rakel in de sleuven van rakel beugels
Draai de knoppen stevig vast(draai de knoppen los, voor demontage).
5. de voor/achter rakel te vervangen (56/57), draai de vleugelmoer (37) los.



Schoonwatertank vullen



OPMERKING

De machine kan worden opgevuld met een pijp of emmer. Verwijder de oplossing filter (21) niet tijdens het vullen

1. Vul water in de schoonwatertank (3) vanuit de inlaat (20) door middel van een leiding of emmer
2. De schoonwatertank niet volledig opvullen, laat een paar centimeter van de rand.
3. Water temperatuur mag niet meer dan 40 °C zijn.

LET OP!

Gebruik alleen lage schuim en niet-brandbare reinigingsmiddelen, bestemd voor automatische schrob-toepassingen

Schoonwatertank aftappen



OPMERKING

Schoonwater tank moet worden geleegd en gereinigd nadat elke scrubber operatie is voltooid.

1. Schroef de aftap dop (22) los op de bodem van de schoonwatertank. De oplossing/ water zal vrij stromen in een emmer of afvoerputje.
2. Spoel de schoonwatertank met schoon water na elk gebruik. Dit zal helpen chemische te voorkomen
3. Schroef de aftap dop (22) vast.

Vuilwatertank aftappen



OPMERKING

Vuilwatertank moet worden geleegd en gereinigd nadat elke scrubber operatie is voltooid.

1. Draai de veerslot (17) vanuit de vuilwatertank, verwijder de vuilwatertank van de machine door de twee groeven van de tank vast te grijpen. Open het deksel (1) en kantel de vuilwatertank om het vuil water af te voeren in een container, of draai de

- afvoerdop (22) los om het water uit te laten lekken in een emmer.
2. Reinig en spoel de vuilwatertank met schoon water na elk gebruik.
3. Plaats de vuilwatertank weer op de machine en draai de veerslot (17) om de tank te vergrendelen.

MACHINEBEDIENING

1. Stel de handgreep op een comfortabele hoogte door niveau (25).
2. Laat de zuigmond (33) op grond door te trekken naar beneden de lift mechanisme (26).
3. Zet de hoofdschakelaar (47).
4. Zet de borstelmotor schakelaar (48) en de oplossing switch (50), de wijzen lampje gaat branden.
5. Zet de zuigmotor schakelaar (49), de wijzen lampje gaat branden.
6. Pas indien nodig de waterstroom door het handmatig draaien van de kogelkraan (31)
7. Trek een of beide besturingssystemen triggers (24), en start rotatie borstel, oplossing beginnen te stromen. Beweeg de machine en start met reiniging,

OPMERKING

Als de batterij indicatielampje (51) groen is, kan de machine worden gebruikt. Als het geel of rood is, moeten de accu's worden opgeladen.



LET OP!

Voor het opheffen van de borstel, schakel deze dan uit door op de schakelaar (47) te drukken.



LET OP!

Wanneer schoon buitensporig agressieve vloeren of anderen ertoe leiden dat de machine niet werkt, borstel motor en vacuüm-indicatoren op het bedieningspaneel (46) gelijktijdig knipperen. Betekent dat de machine is overbelast.

Schakel alle schakelaars uit op het bedieningspaneel (46).



LET OP!

Gebruik de machine niet met lege batterijen om schade aan de batterijen te voorkomen en het verminderen van de batterij leven..

NA GEBRUIK VAN DE MACHINE

Na schrobben, ga verder met onderstaande beroepen bij het verlaten van de machine:

1. Verwijder de borstel / pad-houder.
2. Droog en droog de tanks met volle vloeistof.
3. Voer het dagelijks onderhoud procedures (zie het hoofdstuk Onderhoud)
4. Bewaar de machine op een schone en droge plaats, met de borstel/ pad-houder en de rakel opgeheven of verwijderd.
5. Als het opslaan in een gebied dat kan oplopen tot temperaturen onder het vriespunt, moet u alle vloeistoffen aftappen van de machine voor de opslag. schade veroorzaakt door temperaturen onder het vriespunt zal niet worden gedekt door de garantie.

Gebruik de machine niet voor een lange tijd

Als de machine niet wordt gebruikt voor meer dan 30 dagen, gaat u verder met onderstaande acties:

1. Voer de procedures die in 'Na het gebruik van het apparaat'.

GEBRUIKSAANWIJZING

2. Koppel de accu-aansluiting.

ONDERHOUD

De levensduur van de machine en de maximale bedrijfstemperatuur veiligheid worden gewaarborgd door correct en regelmatig onderhoud. De volgende tabel geeft de geplande onderhoud aan. De intervallen getoond kunnen afhankelijk zijn van de specifieke werkomstandigheden, die door de persoon worden bepaald belast met de onderhoud.



WAARSCHUWING

Onderhoud procedures moeten worden uitgevoerd wanneer de machine is uitgeschakeld en de accu / batterij lader niet is aangesloten. Bovendien, lees de instructies in het hoofdstuk Veiligheid aandachtig.

Alle regelmatige of buitengewone onderhoudswerkzaamheden moeten worden uitgevoerd door gekwalificeerd personeel, of door een erkend servicecentrum Center.

Deze handleiding beschrijft alleen hoe makkelijker en meest voorkomende onderhoudsprocedures.

Voor andere onderhoudsprocedures aangegeven in de Tabel gepland onderhoud vindt u in de Dienst Handleiding die kan worden geraadpleegd op elk gewenst Service Center.

ONDERHOUDSCHEMA

Procedure	Dagelijks, na het gebruik van de machine	Wekelijks	Elke zes maanden	Jaarlijks
Batterij opladen				
Squeegee reinigen				
Borstel reinigen				
Tank en vacuüm raster met vlotter schoonmaken, het deksel pakking controleren				
Rakelblad controle en vervanging				
Oplossing filterreiniging				
Uit waterleiding filterreiniging				
Schroef en moer aandraaien controle			(1)	
Roterende onderdelen smeren			(1)	
Borstel / pad-houder motor koolborstels controleren of vervanging				(2)
Vacuüm systeem motor koolborstels controleren of vervangen				(2)

(1) En na de eerste 8 werkuren.

(2) Deze onderhoud procedure moeten worden uitgevoerd door een erkend Viper Service Center.

BATTERIJ OPLADEN



OPMERKING

*Laad de accu's op wanneer de gele of rode indicator (51)aan gaat, of aan het einde van elke **werkcyclus**.*



LET OP!

Houd de batterijen opgeladen voor een langer levensduur.



LET OP!

Als de machine niet is uitgerust met een on-board lader, kiest u een externe batterijlader geschikt voor de geïnstalleerde batterij.



WAARSCHUWING!

Gebruik vóór goedgekeurde opladers om de batterij op te laden



WAARSCHUWING!

Besteed zorgvuldige aandacht bij het opladen van natte accu's omdat er mogelijk batterijvloeistof kan lekken. De batterij is corrosief. Als het in contact komt met de huid of de ogen, spoel dan grondig met water door en raadpleeg een arts.

1. Plaats lader en machine in een goed geventileerde ruimte.
2. Zet de machine uit (47).
3. Neem de vuilwatertank (2), voor het blootstellen van het batterijvak.
4. Steek de oplaadkabel aan op de gearde stopcontact (100V ~ 240V).
Sluit de lader aan op het apparaat..
5. Batterij indicator licht (30) gaat aan betekent dat het aan het opladen is, groen licht betekent dat de batterij opladen is voltooid.
6. Na de voltooiing van het laden, trek dan eerst de oplaadkabel uit het stopcontact en vervolgens loskoppelen van de machine.
7. Vervang de vuilwatertank.



OPMERKING

Voor meer informatie over de werking van de acculader (29), zie de betreffende paragraaf.

RAKEL REINIGEN



OPMERKING

De rakel moet schoon zijn en de bladen moeten in goede staat zijn om een goede droging te krijgen.



LET OP!

Het is raadzaam om beschermende handschoenen te dragen bij het reinigen van de rakel omdat er mogelijk scherpe voorwerpen zijn.

RAKEL MES CONTROLE EN VERVANGING

1. Verwijder de rakel, zoals aangegeven in de vorige paragraaf.
2. Controleer als de rand van de voor / achter bladen gescheurd zijn, indien nodig vervangen met een nieuwe.
3. Zes duim moer (37) los schroeven om de messen los te krijgen.
4. Controleer de voor / achter messen voor integriteit, en scheuren. Als het niet geschikt is voor gebruik, omver werpen en ze vervangen.
5. Installeer de rakel in de omgekeerde volgorde van het verwijderen.

BORSTEL / PAD HOUDER REINIGING

GEBRUIKSAANWIJZING



LET OP!

Het is raadzaam om beschermende handschoenen te dragen bij het schoonmaken van de borstel / pad omdat er mogelijk scherpe voorwerpen zijn.

1. Verwijder de borstel / pad, zoals in hoofdstuk gebruik.
2. Reinig en spoel de borstel / pad met water en reinigingsmiddel.
3. Controleer de borstelharen voor integriteit en slijtage, indien nodig, vervang de borstel.
4. Controleer het padvoor slijtage, indien nodig, vervang de padhouder.

TANK/AANZUIGROOSTER MET VLOTTER REINIGING EN DEKSEL PAKKING CONTROLE



LET OP!

Het is raadzaam om beschermende handschoenen te dragen bij het reinigen van de tank en vacuüm / zuig montage, omdat er scherpe voorwerpen kunnen zijn..

1. Verplaats de machine naar de aangewezen afvalcontainer.
2. Zet de hoofdschakelaar (47) uit.
3. Verwijder de vuilwatertank (2), reinigen en spoelen zowel de oplossing/vuilwatertank, en aftappen.
4. Verwijder alle vacuüm kits, pakking, filter, reinigen en opnieuw installeren.
5. Controleer de vuilwatertank deksels pakking ring en het vacuüm rubber connector (18) tussen de twee tanks hun integriteit of niet.



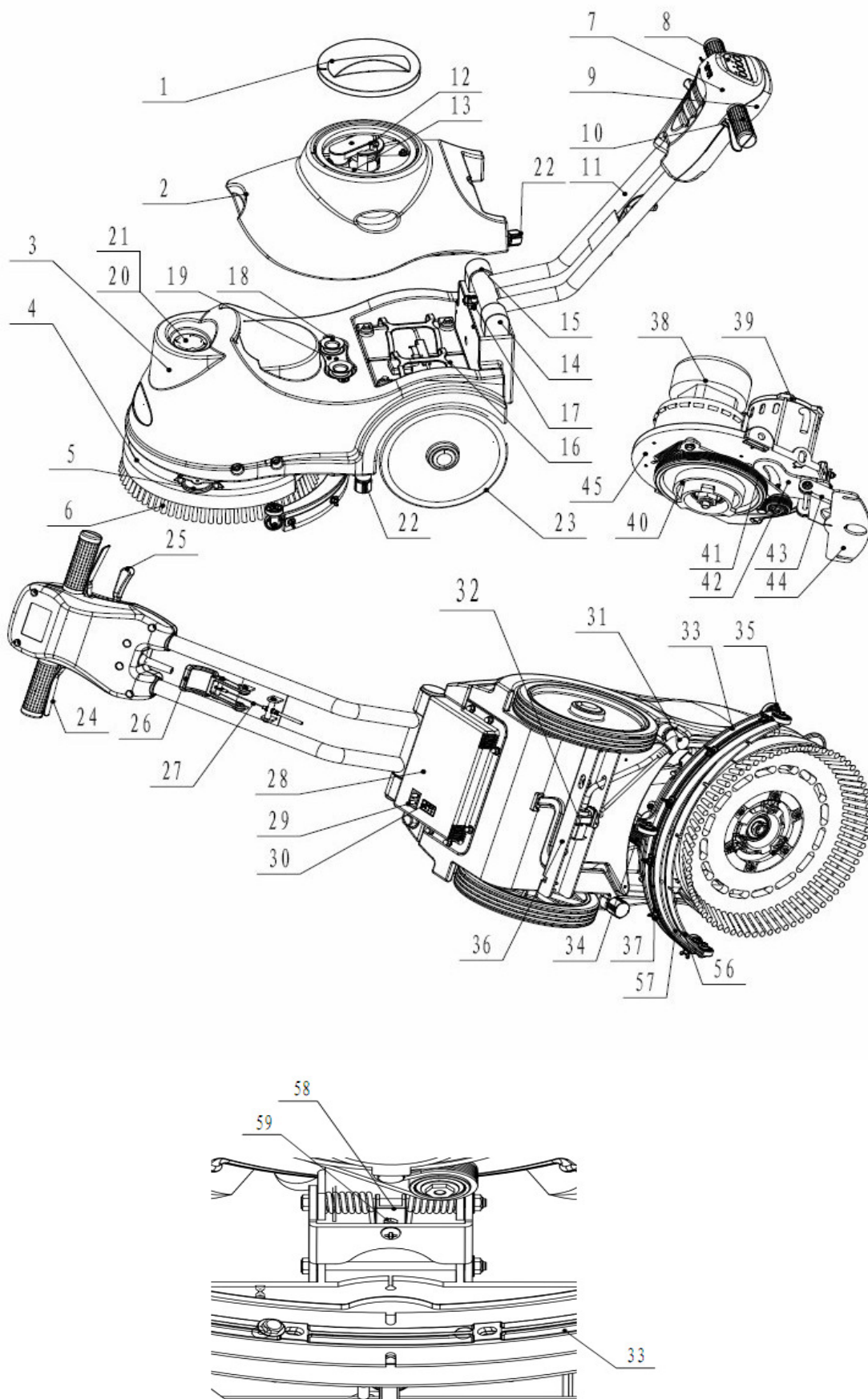
OPMERKING

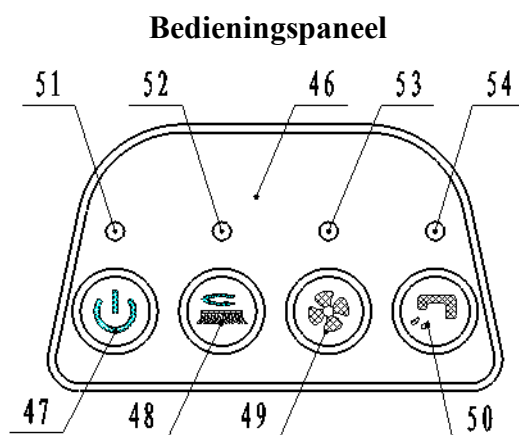
De pakking ring van de vuilwatertank en het rubberen verbindingselement tussen twee tanks creëert vacuüm in de tank. Indien nodig, vervangen.

MACHINE STRUCTUUR

1. Vuilwatertankdeksel
2. Vuilwatertank
3. Schoonwatertank
4. Cover borstel
5. Beschermende rollen
6. Borstel
7. Voorste handvat shell
8. Bedieningspaneel
9. Achterste handgreep shell
10. Handgreep rubber
11. Handvat ijzeren pijp
12. Rakel zuigsamenstel
13. Rakel zuigsamenstel
14. Links positionering
15. Rechts positionering
16. Batterijen
17. Klink
18. Rubber afdichting

19. Beperkte slangkoppeling
20. Inlaat
21. Oplossing filter
22. Schoonwatertank afvoer
23. Wielen op vaste as
24. Handvat links en rechts
25. Draai hendel
26. Rakel hendel
27. Rakel snaar
28. Box circuit
29. Oplader
30. Capaciteit van de batterij-indicator
31. Oplossing flow control hendel
32. Elektromagnetische klep gegevens
33. Rakel
34. Rakel slang
35. Rakel wielen
36. As
37. Thumb moer
38. Vacuüm systeem motor
39. Borstelmotor
40. Aandrijfriem
41. Riem
42. Rakel rotatie plaat
43. Rakel drukplaat
44. Rakel bevestigingsplaat
45. Motor bevestigingsplaat





- | | |
|--|---|
| 46. Bedieningspaneel | 51. Elektrische hoeveelheid indicator |
| 47. Hoofdschakelaar | 52. Borstelmotor indicator |
| 48. Borstelmotor schakelaar | 53. Zuigmotor indicator |
| 49. Zuigmotor schakelaar | 54. Zuig Elektromagnetische klep data indicator |
| 50. Zuig Elektromagnetische klep data schakelaar | |

TECHNISCHE GEGEVENS

Machine lengte * breedte * hoogte	770x500x550MM
Oplossing tankinhoud	15L
Vuilwatertank capaciteit	15L
Wieldiameter	254MM
Borstel motorgegevens	24V 250W
Vacuüm motorgegevens	24V 300W
Elektromagnetische klep gegevens	24V
Maximale helling	2%
Geluid hefboom	68 dBA
Batterijen gegevens	(2X12V) 24V 35Ah/20h
Lengte voedingskabel	/
Batterijen spec	196 x 130 x 175mm
Werken capaciteit, tot	1000 mm H2°
Reiniging productiviteit	750m2/hour
Breedte zuigmond	490mm
Borsteldiameter	380mm
Borstel tpm	150rpm
Lader	Input 100-240 Vac, 50-60HZ Output 24Vdc, 5A
Bedrijfgewicht	60kg
Brutogewicht	65kg
Carton spec	780x415x590MM

PROBLEMEN OPLOSSEN

Probleem	Mogelijke oorzaak	Remedie
De machine werkt niet, ik controlelampje (51) gaat niet op	De batterij-connector is losgekoppeld	Aansluiten
	De batterijen zijn volledig ontladen	Laad de batterijen
	De kracht verbinding verbroken met de kracht	Aansluiten
De machine werkt niet, indicatielampje (51) scherm rood	De batterijen zijn leeg	Laad de batterijen
Borstelmotor niet werken, ik borstel lampje (52) gaat niet op	De PCB of toetsenbord is gebroken	Verander de PCB of toetsenbord
Borstelmotor niet werken, borstel controlelampjes (52) flitser	Het dek motor is overbelast	Gebruik minder agressieve borstels geschikt voor de vloer te reinigen
	Er zijn vreemde materialen (verwarde draden, enz.) te voorkomen dat de borstel roterende	Reinig de borstel hub
Vacuüm systeem de motor niet werken, hoeft zuigmotor lampje (53) gaat niet op	De PCB of toetsenbord is gebroken	Verander de PCB of toetsenbord
Vacuüm systeem de motor niet werken, poetsen controlelampjes (53) flitser	Het vacuümsysteem motor is overbelast	Controleer het vacuümsysteem motor
Het vuile water stofzuigen is niet voldoende	De vuilwatertank is vol.	Leeg de vuilwatertank.
	De slang wordt losgekoppeld van de rakel	aangesloten
	Vacuümeenheid verstopt	Schoonmaken, controleren
	De zuigmond is vies, of de wisserbladen versleten of beschadigd zijn	Reinig en controleer de zuigmond
	De vuilwatertank niet beperkt	Vergrendel de hendel (17)
	Het deksel is niet goed gesloten, of de pakking beschadigd is	Goed Sluit het deksel of vervang de pakking
	Squeegee aanpassing stuk (58) niet ingesteld op de juiste positie	Stel de moer (59) naar de juiste positie
De vloeistoftoevoer is onvoldoende.	De oplossing is leeg	Volledige in water
	Oplossing flow control valve (31) is verstopt	Reinig het ventiel
	De oplossing is vuil	Reinig de oplossing
De rakel bladeren vlekken op de vloer.	Er ligt vuil onder de zuigrubbers	Verwijder de resten
	De wisserbladen zijn versleten, beschadigd of gescheurd	Vervang de messen

MISURE DI SICUREZZA

L'apparecchio è progettato per uso commerciale. È inteso per l'utilizzo in un ambiente chiuso e non è destinato ad alcun altro uso. Utilizzare solo con gli accessori consigliati.

Tutti gli operatori devono leggere, capire ed attenersi alle seguenti precauzioni di sicurezza:

1) NON USARE L'APPARECCHIO:

Senza addestramento e autorizzazione.
Se non si è letto e capito il manuale degli operatori.
In ambienti infiammabili od esplosivi.
Se non in adeguate condizioni operative.
In aree esterne.

2) PRIMA DI AVVIARE L'APPARECCHIO:

Assicurarsi che tutti i dispositivi di sicurezza siano in posizione e funzionino correttamente.

3) QUANDO SI USA L'APPARECCHIO:

Procedere piano su rampe e superfici scivolose.
Attenersi a tutte norme di sicurezza.
Fare molta attenzione quando si utilizza l'apparecchio in retromarcia.
Segnalare e risolvere eventuali danni all'apparecchio prima di utilizzarlo.

4) PRIMA DI LASCIARE L'APPARECCHIO O DI INIZIARE QUALSIASI MANUTENZIONE :

Parcheggiare l'apparecchio su una superficie piana.
Spegnerne l'apparecchio.

5) QUANDO SI EFFETTA LA MANUTENZIONE:

Leggere attentamente il manuale operatore prima di utilizzare o effettuare la manutenzione di questo apparecchio.

Utilizzate parti di ricambio fornite o approvate dal produttore.
Prima di sollevare l'apparecchio renderlo sicuro bloccandone le ruote.
Per sollevare l'apparecchio in sicurezza utilizzate un martinetto o un paranco approvato.

QUANDO SI EFFETTA LA MANUTENZIONE: (continua)

Scollegare le batterie prima di lavorare sull'apparecchio.
Indossare guanti di protezione prima di maneggiare le batterie o i cavi della batteria.
Evitate qualsiasi contatto con l'acido della batteria.
Evitare le parti in movimento! Non indossare indumenti larghi, quando si esegue la manutenzione dell'apparecchio.



ATTENZIONE!

Le batterie emettono gas di idrogeno. Esplosioni o incendi possono derivare da esso. Tenersi lontano da scintille e fiamme libere! Tenere aperto il vano batterie durante la ricarica.



ATTENZIONE!

Materiali infiammabili possono provocare un'esplosione o un incendio. Non utilizzare materiali combustibili infiammabili nei serbatoi.



ATTENZIONE!

I materiali infiammabili o i metalli reattivi possono causare esplosioni o incendi.
Non raccoglierli.

CONFIGURAZIONE & INSTALLAZIONE DELL'APPARECCHIO

DISIMBALLAGGIO DELL'APPARECCHIO

Controllare l'imballaggio in cartone per eventuali danni. In caso, segnalare immediatamente eventuali danni al vettore.

Controllare il contenuto della confezione per assicurarsi che siano presenti i seguenti elementi:

1. L'apparecchio
2. Batterie (x2)
3. Il blocco tergipavimento
4. Il Manuale d'Uso dell'apparecchio
5. Il Manuale del Caricabatterie Elettrico (se in dotazione)
6. Il cavo di collegamento per la batteria e il caricabatterie (se in dotazione)
7. La spazzola o il disco trascinatore (se in dotazione)

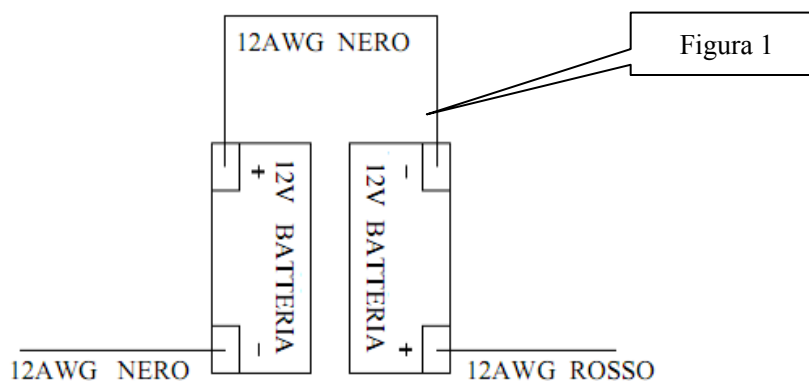
SMONTAGGIO E MONTAGGIO DELLA BATTERIA

1. Spegner l'interruttore principale (47).
2. Rimuovere il serbatoio di recupero (2) come indicato nel relativo paragrafo.
3. Svitare il bullone dalle batterie (16), quindi rimuoverle o cambiarle.
4. Installare le batterie dell'apparecchio secondo lo schema sottostante.
5. Installare il serbatoio di recupero.



ATTENZIONE

Non collegare + a +, o - a -, quando si smontano o installano le batterie. È molto pericoloso.



Carica della batteria

Caricare le batterie (consultare la procedura nel capitolo Manutenzione).

IMPOSTAZIONE DELL'APPARECCHIO

Controlli prima dell'utilizzo

1. Con uno straccio raccogliere la polvere sulla superficie da pulire.
2. Controllare che il tergipavimento sia installato correttamente.
3. Abbassare il tergipavimento (33) con la leva (26).

4. Controllare che la batteria sia completamente carica. (Vedere CARICA BATTERIA)
5. Controllare che la spazzola o il disco imbottito siano installati correttamente.

Installazione e smontaggio della spazzola o del disco trascinatore



NOTA

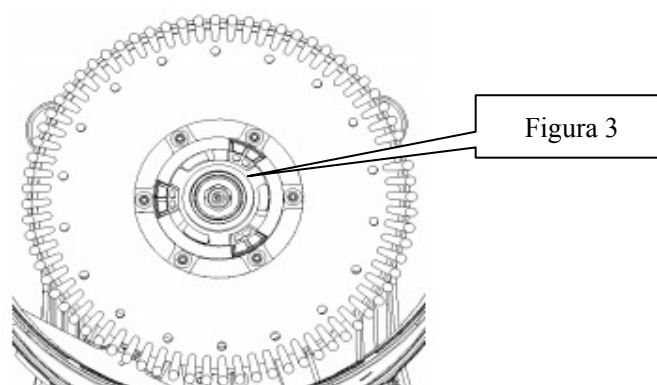
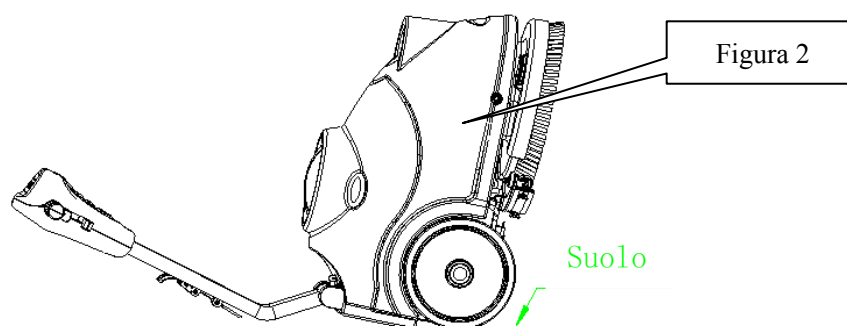
*Installare solo manualmente. Usando l'auto-installazione, usurerà il mozzo della spazzola.
Assicurarsi che i serbatoi siano vuoti prima di smontare la spazzola.*

1. Spegnerne l'apparecchio.
2. Adagiare l'apparecchio nella posizione indicata nella Figura 2. Tirare la leva di sollevamento (26) per alzare il tergipavimento (33).
3. Montare la spazzola o il disco trascinatore sul mozzo della ruota motrice e quindi ruotare in senso antiorario fino a bloccarla, come indicato nella figura 3.
4. Per smontare la spazzola o il disco imbottito, ruotare la spazzola o il disco imbottito in senso orario fino a quando non vengono rilasciati dal mozzo delle ruote motrici.



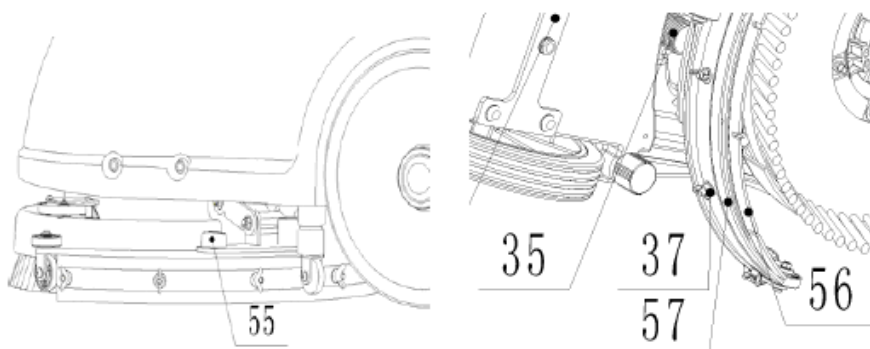
ATTENZIONE

Non accendere l'apparecchio nella posizione indicata di seguito, altrimenti la spazzola o il disco imbottito potrebbero uscire e provocare lesioni.



Installazione del tergipavimento

1. Spegnerne l'apparecchio (47).
2. Abbassare la leva di sollevamento del tergipavimento (26) per abbassare il tergipavimento sulla posizione "di lavoro".
3. Adagiate l'apparecchio nella posizione indicata nella Figura 2.
4. Allentare le due manopole (55) del tergipavimento e farlo scorrere nelle fessure dei suoi supporti. Serrare le manopole (svitare le manopole, se fase di smontaggio).
5. Per sostituire la parte anteriore/posteriore del tergipavimento (56/57), svitare il dado ad alette



(37).

Riempimento del serbatoio della soluzione detergente



NOTA

L'apparecchio si può di riempire con un tubo o un secchio. Non rimuovere il filtro della soluzione detergente (21) durante lo riempimento.

1. Riempire d'acqua il serbatoio della soluzione detergente (3) dall'ingresso (20) tramite un tubo o un secchio
2. Non riempire completamente il serbatoio della soluzione detergente, lasciare qualche centimetro dal bordo.
3. La temperatura dell'acqua non deve superare i 40°C.



AVVERTENZA!

Utilizzate solo detersivi a bassa schiuma e non infiammabili, destinati ad applicazioni di depurazione automatiche.

Svuotamento del serbatoio della soluzione detergente



NOTA

Il serbatoio della soluzione detergente deve essere svuotato e pulito dopo che ogni operazione di pulizia viene completata.

1. Svitare il tappo di scarico (22) sul fondo del serbatoio della soluzione detergente. La soluzione detergente o l'acqua fluirà liberamente in un secchio o nello scarico a pavimento.
2. Risciacquare il serbatoio con acqua pulita dopo ogni utilizzo. Questo aiuterà a prevenire l'accumulo di sostanze chimiche e l'intasamento delle linee di soluzione
3. Riavvitare il tappo di scarico (22).

Svuotamento del serbatoio di recupero



NOTA

Il serbatoio di recupero deve essere svuotato e pulito dopo che ogni operazione di pulizia viene completata.

1. Ruotare il fermo (17) dal serbatoio di recupero, togliere il serbatoio di recupero dalla macchina afferrando le due scanalature del serbatoio. Aprire il coperchio (1) e ribaltare il serbatoio di recupero per scaricare l'acqua sporca in un contenitore, o svitare il tappo di scarico (22) per far uscire l'acqua in un secchio.
2. Pulire e sciacquare il serbatoio di recupero con acqua pulita dopo ogni utilizzo.
3. Rimettere il serbatoio di recupero sull'apparecchio e ruotare il fermo (17) per bloccarlo.

FUNZIONAMENTO DELL'APPARECCHIO

1. Impostare il manubrio ad una altezza confortevole premendo la leva (25).
2. Abbassare il tergilpavimento (33) sul pavimento tirando verso il basso il meccanismo di sollevamento (26).
3. Accendere tramite l'interruttore principale (47).
4. Spostare l'interruttore del motore della spazzola (48) e l'interruttore della soluzione detergente (50) in posizione di accensione, la luce dell'indicatore si accenderà.
5. Spostare l'interruttore del motore di aspirazione (49) in posizione di accensione, la luce dell'indicatore si accenderà.
6. Se necessario, regolare il flusso d'acqua ruotando manualmente la valvola (31)
7. Tirare uno o entrambi i grilletti operativi (24), e la spazzola entrerà in rotazione e la soluzione detergente inizierà a fluire. Muovere l'apparecchio e iniziare la pulizia

NOTA

Se l'indicatore della batteria (51) è verde, l'apparecchio può essere utilizzato. Se è giallo o rosso, le batterie devono essere ricaricate.



AVVERTENZA!

Prima di sollevare la spazzola, spegnere l'apparecchio premendo l'interruttore (47).



AVVERTENZA!

Quando si puliscono pavimenti eccessivamente aggressivi o per altri motivi l'apparecchio non funziona, sul Pannello di Controllo (46) gli indicatori del motore della spazzola e del motore di aspirazione lampeggeranno contemporaneamente. Significa che l'apparecchio è sovraccarico.

Si prega di spegnere tutti gli interruttori del Pannello di Controllo (46).



AVVERTENZA!

Non utilizzare la macchina con le batterie scariche per evitare di danneggiare le batterie e ridurre la loro durata di vita.

DOPO AVER USATO L'APPARECCHIO

Dopo la pulizia, si prega di procedere con le azioni qui di seguito prima di lasciare l'apparecchio:

1. Rimuovere la spazzola o il supporto del disco imbottito.
2. Asciugare completamente i serbatoi dai liquidi.
3. Eseguire le procedure di manutenzione giornaliera (vedere il capitolo manutenzione)
4. Conservare l'apparecchio in un luogo asciutto e pulito, dopo aver sollevato o rimosso ~~con~~ la spazzola o il supporto del disco imbottito e il tergilpavimento
5. Se si conserva in una zona che può raggiungere temperature di congelamento, assicurarsi di drenare tutti i liquidi dall'apparecchio prima di riporlo. Eventuali danni causati dal congelamento non sono coperti dalla garanzia.

SE NON SI USA L'APPARECCHIO PER LUNGO TEMPO

Se l'apparecchio non sarà utilizzato per più di 30 giorni, si prega di procedere con le seguenti azioni:

1. Eseguire le procedure riportate nella sezione 'Dopo Aver Usato l'Apparecchio'.
2. Scollegare il connettore della batteria.

MANUTENZIONE

La durata dell'apparecchio e la sua massima sicurezza di funzionamento è assicurata da una manutenzione corretta e regolare. La seguente tabella fornisce le informazioni per la manutenzione

MANUALE D'ISTRUZIONI

programmata. Gli intervalli indicati possono variare in base a particolari condizioni di lavoro, che saranno definite dal responsabile della manutenzione.



ATTENZIONE

Le procedure di manutenzione devono essere eseguite con la macchina spenta e le batterie e il cavo del caricabatterie scollegati. Inoltre, leggere attentamente le istruzioni del capitolo sulla Sicurezza.

Tutte le procedure di manutenzione programmata o straordinaria deve essere eseguite da personale qualificato o da un Centro di Assistenza autorizzato.

Questo Manuale descrive solo le procedure di manutenzione più semplici e più comuni.

Per le altre procedure di manutenzione riportate nella tabella della Manutenzione Programmata, fare riferimento al Manuale di Servizio che può essere consultato in qualsiasi centro di assistenza.

TABELLA MANUTENZIONE PROGRAMMATA

Procedura	Giornaliera, dopo ogni uso dell'apparecchio	Settimanale	Ogni 6 mesi	Annuale
Ricarica batterie				
Pulizia tergipavimento				
Pulizia spazzola				
Pulizia serbatoio e griglia di aspirazione con galleggiante, controllo della guarnizione del coperchio				
Controllo lama del tergipavimento ed eventuale sostituzione				
Pulizia filtro soluzione detergente				
Pulizia filtro tubo uscita acqua				
Controllo di viti e bulloni di fissaggio			(1)	
Lubrificazione delle parti rotanti			(1)	
Controllo o sostituzione spazzole in carbonio del motore della spazzola o del supporto del disco imbottito				(2)
Controllo o sostituzione spazzole in carbonio del motore di aspirazione				(2)

(1) E dopo le prime 8 ore di lavoro.

(2) Questa procedura di manutenzione deve essere effettuata da parte di un Centro Assistenza Autorizzato della Viper.

CARICAMENTO BATTERIE



NOTA

Caricare le batterie quando l'indicatore (51) diventa giallo o rosso, o alla fine di ogni ciclo di lavoro.



AVVERTENZA!

Mantenendo le batterie cariche si allunga la loro durata di vita.



AVVERTENZA!

Se la macchina non è dotata di caricabatteria, scegliere un caricabatterie esterno adatto per il tipo di batterie installate.



ATTENZIONE!

Si prega di utilizzare un caricabatterie approvato da Viper per ricaricare la batteria



ATTENZIONE!

Prestare particolare attenzione quando si ricaricano delle batterie di tipo WET/UMIDE in quanto vi possono essere perdite di fluido dalle batterie. Il liquido della batteria è corrosivo. Se venisse a contatto con la pelle o con gli occhi, lavare abbondantemente con acqua e consultare un medico.

1. Posizionare il caricabatterie e l'apparecchio in una zona ben ventilata.
2. Spegnerne l'apparecchio (47).
3. Togliere il serbatoio di recupero (2), esponendo così il vano batterie.
4. Collegare il cavo di ricarica alla presa di corrente a muro con messa a terra (100V ~ 240V). Collegare il cavo di ricarica alla presa dell'apparecchio.
5. L'indicatore di carica (30) si accenderà indicando che è in carica, la luce verde indicherà che la carica della batteria è completata.
6. Al termine della ricarica, scollegare prima il cavo di ricarica dalla presa a muro e quindi scollegarlo dall'apparecchio.
7. Rimettere il serbatoio di recupero.



NOTA

Per ulteriori informazioni sul funzionamento del caricabatterie (29), si veda il paragrafo relativo.

PULIZIA DEL TERGIPAVIMENTO



NOTA

Il tergipavimento deve essere pulito e le sue lame devono essere in buone condizioni al fine di ottenere una buona asciugatura.



AVVERTENZA!

Si consiglia di indossare guanti protettivi quando si pulisce il tergipavimento perché ci potrebbero essere detriti taglienti.

CONTROLLO E SOSTITUZIONE DELLA LAMA DEL TERGIPAVIMENTO

1. Togliere il tergipavimento come indicato nel paragrafo precedente.
2. Controllare a vista se il bordo delle lame anteriore e posteriore fosse rotto e, se necessario, sostituirle con nuove.
3. Svitare i sei dadi (37) per poter estrarre le lame.
4. Controllare l'integrità delle lame anteriori/posteriori, se ci fossero tagli e strappi. Se non sono utilizzabili, capovolgerle o sostituirle.
5. Installare il tergipavimento in ordine inverso rispetto alla rimozione.

PULIZIA DELLA SPAZZOLA O DEL DISCO TRASCINATORE



AVVERTENZA!

Si consiglia di indossare guanti protettivi quando si pulisce la spazzola o il disco trascinatore perché ci potrebbero essere detriti taglienti.

1. Rimuovere la spazzola/il disco imbottito, come illustrato nel capitolo relativo all'Utilizzo.
2. Pulire e lavare la spazzola/il disco imbottito con acqua e detergente.
3. Controllare l'integrità delle setole della spazzola e lo stato di usura e, se necessario, sostituire la spazzola.
4. Controllare lo stato di usura del disco imbottito e, se necessario, sostituire il disco trascinatore.

PULIZIA DI SERBATOIO E GRIGLIA DI ASPIRAZIONE CON GALLEGGIANTE E CONTROLLO DELLA GUARNIZIONE DEL COPERCHIO



AVVERTENZA!

Si consiglia di indossare guanti protettivi quando si pulisce il serbatoio e il gruppo di vuoto/aspirazione perché ci potrebbero essere detriti taglienti.

1. Spostare l'apparecchio verso l'area designata per lo smaltimento.
2. Spegnerne tramite l'interruttore principale (47).
3. Togliere il serbatoio di recupero (2), pulire e lavare sia il serbatoio della soluzione detergente che il serbatoio di recupero, e svuotare.
4. Togliere tutte le parti del sistema di aspirazione, le guarnizioni, i filtri, pulire e reinstallare.
5. Controllare l'integrità delle guarnizioni del coperchio del serbatoio di recupero e del connettore in gomma dell'aspiratore (18) tra i due serbatoi.



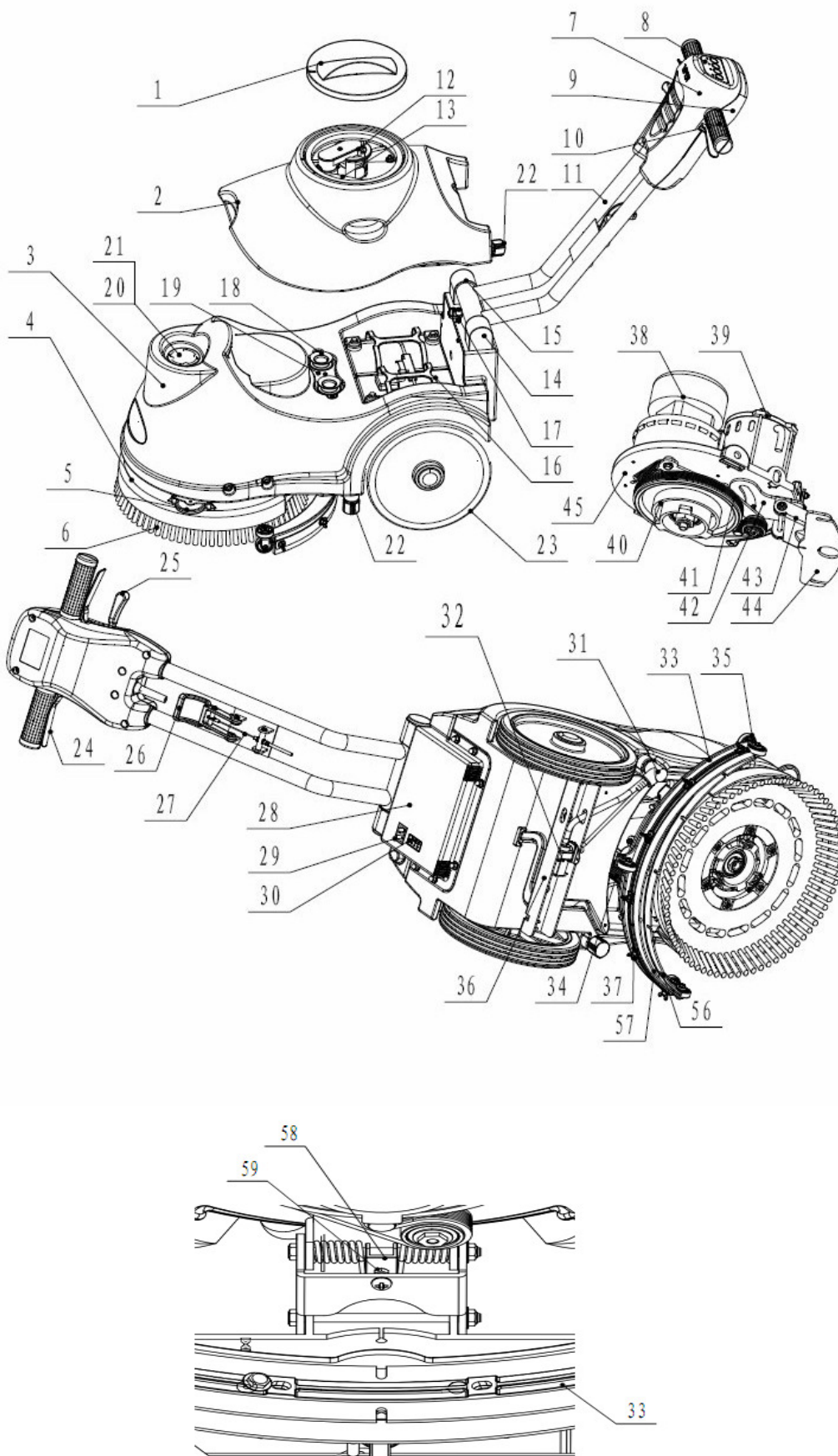
NOTA

La guarnizione del serbatoio di recupero e il connettore in gomma tra i due serbatoi creano il vuoto nel serbatoio. Se necessario, sostituirli.

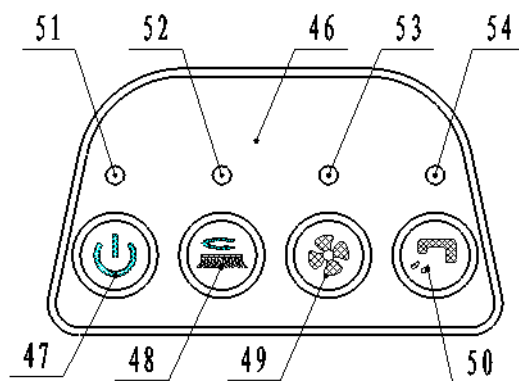
STRUTTURA DELL'APPARECCHIO

1. Coperchio del serbatoio di recupero
2. Serbatoio di recupero
3. Serbatoio soluzione detergente
4. Copertura spazzola
5. Rulli di protezione
6. Spazzola
7. Maniglia guscio anteriore
8. Pannello di controllo
9. Maniglia guscio posteriore
10. Manubrio in gomma
11. Tubo di ferro del manubrio
12. Gruppo a vuoto del tergipavimento
13. Gruppo di aspirazione del tergipavimento
14. Posizionatore di sinistra
15. Posizionatore di destra
16. Batterie
17. Fermo
18. Guarnizione di gomma

19. Limite del raccordo del tubo flessibile
20. Ingresso
21. Filtro della soluzione detergente
22. Scarico serbatoio della soluzione detergente
23. Ruote sull'asse fisso
24. Maniglia a sinistra e a destra
25. Leva di rotazione del manubrio
26. Leva di sollevamento del tergipavimento
27. Stringa del tergipavimento
28. Scatola circuiti
29. Caricatore
30. Indicatore della carica della batteria
31. Leva di controllo del flusso della soluzione detergente
32. Valvola elettromagnetica
33. Tergipavimento
34. Tubo del tergipavimento
35. Ruote del tergipavimento
36. Asse
37. Dado
38. Motore sistema di aspirazione
39. Motore spazzola
40. Cinghia di trasmissione
41. Cinghia
42. Piastra di rotazione del tergipavimento
43. Piastra di sollevamento del tergipavimento
44. Piastra fissa del tergipavimento
45. Piastra fissaggio motore



Pannello di controllo



- 46. Pannello di controllo
- 47. Interruttore principale
- 48. Interruttore motore spazzola
- 49. Interruttore motore aspirazione
- 50. Interruttore valvola elettromagnetica di aspirazione
- 51. Indicatore alimentazione
- 52. Indicatore motore spazzola
- 53. Indicatore motore aspirazione
- 54. Indicatore valvola elettromagnetica di aspirazione

DATI TECNICI

Lunghezza*larghezza*altezza dell'apparecchio	770x500x550mm
Capacità serbatoio soluzione detergente	15L
Capacità serbatoio acqua di recupero	15L
Diametro della ruota	254mm
Potenza del motore della spazzola	24V 250W
Potenza del motore del sistema di aspirazione	24V 300W
Tensione valvola elettromagnetica	24V
Pendenza massima	2%
Livello di pressione sonora	68 dBA
Batterie	(2X12V) 24V 35Ah/20h
Lunghezza cavo di alimentazione	/
Dimensioni batterie	196 x 130 x 175mm
Capacità del circuito del sistema di aspirazione	Fino a 1000 mm H ₂ O
Produttività di pulizia	750m ² /hour
Larghezza tergipavimento	490mm
Diametro spazzola	380mm
Velocità spazzola	150rpm
Caricatore	Ingresso 100-240 Vac, 50-60HZ Uscita 24Vdc, 5A
Peso di esercizio	60kg
Peso lordo	65kg
Dimensioni cartone	780x415x590mm

SOLUZIONE DEI PROBLEMI

Problema	Causa possibile	Soluzione
L'apparecchio non funziona, l'indicatore luminoso (51) non si accende	Il connettore delle batterie è scollegato	Collegare correttamente
	Le batterie sono completamente scariche	Ricaricare le batterie
	Il cavo di alimentazione è scollegato dall'alimentazione	Collegare correttamente
L'apparecchio non funziona, l'indicatore luminoso (51) si accende in rosso	Le batterie sono completamente scariche	Ricaricare le batterie
Il motore della spazzola non funziona, l'indicatore luminoso della spazzola (52) non si accende	La scheda PCB o della chiave è rotta	Cambiare la scheda PCB o della chiave
Il motore della spazzola non funziona, l'indicatore luminoso della spazzola (52) lampeggia	Il motore è sovraccaricato	Usare spazzole meno aggressive più adatte al pavimento da pulire
	Ci sono materiali estranei (fili aggrovigliati, ecc) che impediscono alla spazzola di ruotare	Pulire il mozzo della spazzola
Il motore del sistema di aspirazione non funziona, l'indicatore luminoso del sistema di aspirazione (53) non si accende	La scheda PCB o della chiave è rotta	Cambiare la scheda PCB o della chiave
Il motore del sistema di aspirazione non funziona, l'indicatore luminoso del sistema di aspirazione (53) lampeggia	Il motore del sistema di aspirazione è sovraccaricato	Controllare il motore del sistema di aspirazione
Aspirazione dell'acqua sporca insufficiente	Il serbatoio di recupero è pieno	Svuotare il serbatoio di recupero
	Il tubo è scollegato dal tergilavaggio	Collegarlo
	Il gruppo di aspirazione è intasato	Pulire o controllare
	Il tergilavaggio è sporco o le sue lame sono usurate o danneggiate	Pulire e controllare il tergilavaggio
	Il serbatoio di recupero è aperto	Bloccare il fermo (17)
	Il coperchio del serbatoio di recupero non è chiuso correttamente o la guarnizione è danneggiata	Chiudere correttamente il coperchio o cambiare la guarnizione
	Il pezzo di regolazione del tergilavaggio (58) non è impostato in una posizione appropriata	Regolare il dado (59) per la posizione appropriata
Flusso della soluzione detergente insufficiente	La soluzione detergente è finita	Aggiungere acqua
	La valvola di controllo del flusso della soluzione detergente (31) è bloccata	Pulire la valvola
	La soluzione detergente è sporca	Pulire la soluzione detergente
Il tergilavaggio lascia segni sul pavimento	Ci sono detriti sotto le lame del tergilavaggio	Rimuovere i detriti
	Le lame del tergilavaggio sono usurate, scheggiate o strappate	Cambiare le lame

PRECAUCIONES DE SEGURIDAD

Esta máquina está diseñada para uso comercial. Está construido para uso en interiores y no está destinado para cualquier otro uso. Use únicamente los accesorios recomendados.

Todos los operadores deben leer, entender y seguir las siguientes medidas de seguridad:

1) NO USAR LA MÁQUINA:

- A menos que tenga el entrenamiento y este autorizado.
- A menos que haya leído y entendido el manual del operador.
- En zonas inflamables o explosivos.
- Si no está en condiciones apropiadas de funcionamiento.
- En las zonas al aire libre.

2) ANTES DE USAR LA MÁQUINA:

Asegúrese que todos los dispositivos de seguridad están en su sitio y que funcionan correctamente.

3) CUANDO SE ESTA UTILIZANDO LA MÁQUINA:

- Ir despacio y con precaución en pendientes y superficies resbaladizas.
- Siga todas las normas de seguridad.
- Tenga mucho cuidado al utilizar la máquina en marcha atrás.
- Informar y reparar los daños a la máquina antes de ponerla en funcionamiento.

4) ANTES DE DEJAR LA MÁQUINA O DE HACERLE MANTENIMIENTO:

- Detenga la máquina en un lugar plano.
- Apague la máquina.

5) AL HACER MANTENIMIENTO DE LA MÁQUINA

- Lea el manual del usuario cuidadosamente antes de operar o hacer mantenimiento a esta máquina.
- Utilice repuestos suministrados por el fabricante o repuestos aprobados.
- Asegure las ruedas de la máquina con bloques antes de levantar la máquina.
- Utilice un gato hidráulico o un torno aprobado para levantar la máquina con seguridad.

AL HACER MANTENIMIENTO DE LA MÁQUINA:(con't)

- Desconecte las baterías antes de trabajar en la máquina.
- Use guantes para manipular las baterías o sus cables.
- Evitar el contacto con el ácido de la batería.
- Evite las partes en movimiento, no use ropa suelta mientras se hace mantenimiento a la maquina.



ADVERTENCIA !

Las baterías emiten hidrógeno. Puede resultar alguna explosión o fuego por el hidrógeno. Mantenga las chispas y cualquier clase de fuego lejos. Mantenga el compartimento de la batería abierto durante la carga.



ADVERTENCIA !

Los materiales inflamables pueden causar una explosión o un incendio. No utilice materiales inflamables en tanques.



ADVERTENCIA !

Los materiales inflamables o metales reactivos pueden provocar explosiones o incendios. No los aspire.

AJUSTE DE LA MÁQUINA E INSTALACION

DESAMBLAJE DE LA MÁQUINA

Asegúrese de revisar cualquier daño en el empaque de cartón. Reporte inmediatamente cualquier daño al transportista.

Compruebe el contenido del paquete para asegurarse que están incluidos los siguientes elementos:

1. Máquina
2. Baterías (x2)
3. Escobilla de goma
4. Manual de usuario de la Fregadora secadora
5. Manual de cargador de batería eléctrica (si está instalado)
6. Cable de conexión para la batería y el cargador (si está instalado)
7. Cepillo o impulsor de almohadilla (si está instalado)

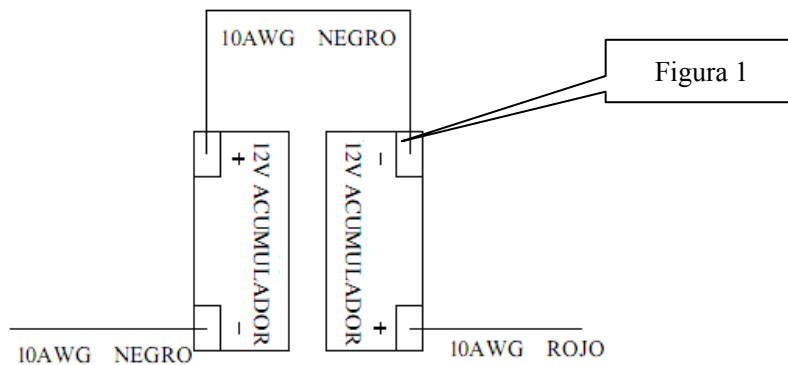
DESMONTAJE E INSTALACION DE BATERÍA

1. Apague el interruptor principal (47).
2. Retire el depósito de recolección (2) como se muestra en el apartado correspondiente.
3. Desenrosque el tornillo de baterías (16), después retire o cámbielo.
4. Instale las pilas en la máquina de acuerdo con el siguiente diagrama.
5. Instale el depósito de recuperación.



ADVERTENCIA

No conecte a + o a - cuando desmonte o instale baterías, eso es muy peligroso.



Recarga de la batería

Recoge la batería (Ver el procedimiento en el capítulo de mantenimiento).

AJUSTE DE LA MÁQUINA

Comprobaciones previas

1. Barra o limpie el polvo de la superficie a limpiar.
2. Compruebe que la escobilla de goma está correctamente instalada.
3. Baje la escobilla de goma (33) con la palanca (26).
4. Compruebe que la batería está completamente cargada. (Ver carga la batería)
5. Compruebe que el cepillo / almohadilla esté correctamente instalado.

Instalación y desmontaje de cepillo / impulsador de almohadilla.



NOTA

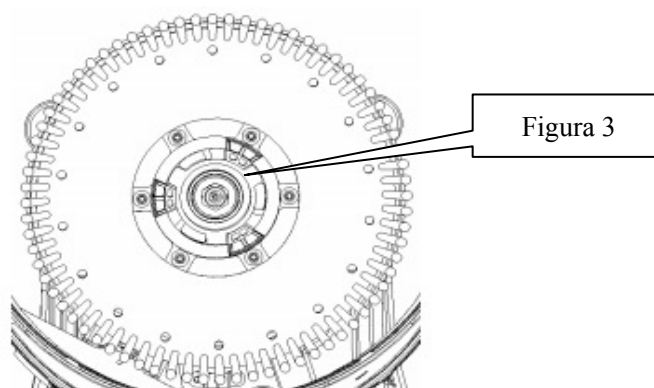
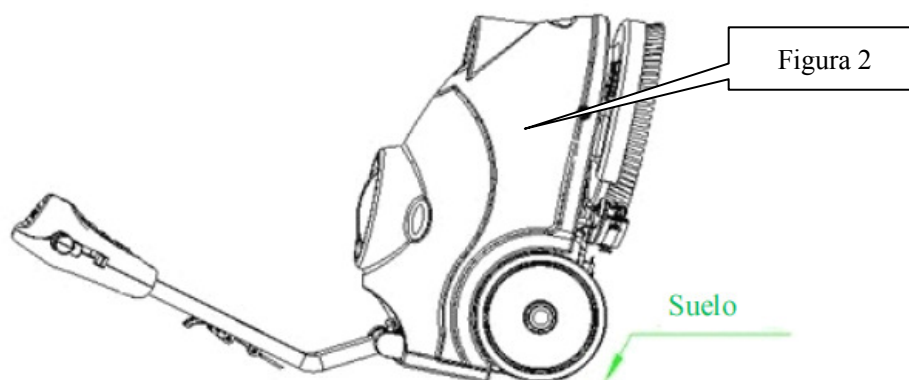
*Sólo instale de forma manual. Si se hace la auto-instalación se desgastará centro del cepillo.
Asegúrese de que los tanques están vacíos antes de desmontar el cepillo.*

1. Apague la máquina.
2. Coloque la máquina en la posición que se indica en la Figura 2, Tire de la palanca de elevación (26) para elevar la escobilla de goma hasta (33).
3. Montar el cepillo o impulsador de almohadilla en el centro de la rueda de accionamiento y luego girar hacia la izquierda hasta que se bloquee, como se indica en la figura 3.
4. Para el desmontaje del cepillo / almohadilla, gire el cepillo / almohadilla hacia la derecha hasta que se libere el impulsor desde el centro de la rueda.



ADVERTENCIA

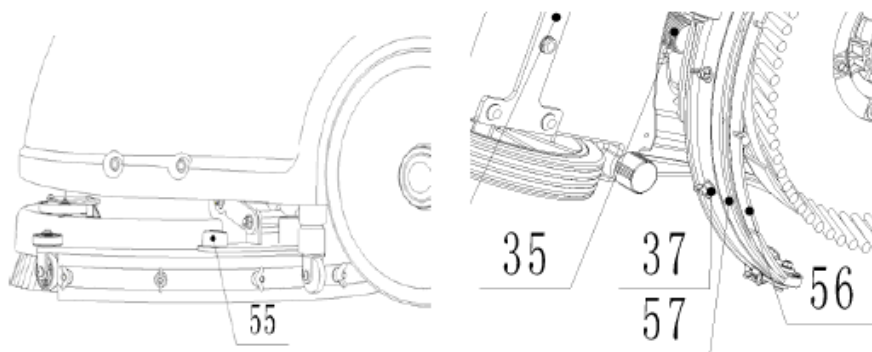
No encienda la maquina en la posición que se muestra en la grafica de abajo. En caso que se suelte el cepillo o almohadilla o cause alguna lesión.



Instalación de la escobilla de goma

1. Apague la máquina (47).
2. Baje la palanca de levante de la escobilla de goma (26) para colocar la escobilla de goma en posición de "trabajo".
3. Poner la máquina en la posición que se indica en la Figura 2.
4. Afloje los dos tornillos (55) de la escobilla de goma y deslice la escobilla de goma en las ranuras de los soportes de la escobilla de goma.
Apriete los tornillos (si se va a desmontar desatornille).

5. Para volver a colocar la parte delantera / trasera de la escobilla de goma (56/57), desenroscar la tuerca de mariposa (37).



Llenado del depósito de solución



NOTE

La máquina se puede llenar con el tubo o con cubeta. No retire la solución de filtro (21) durante el llenado.

1. Llenar de agua el depósito de solución (3) desde la entrada (20) a través de un tubo o una cubeta
2. No llene el depósito de solución completamente, dejar vacío unos centímetros desde borde.
3. La temperatura del agua no debe superar los 40 grados.



PRECAUCIÓN!

Utilice detergente no inflamable y bajo en efectos de espuma para las aplicaciones de fregadora automática.

Vaciado del depósito de solución



NOTA

El depósito de solución debe ser vaciado y limpiado después de completar cada operación lavado.

1. Desenrosque el tapón de vaciado (22) ubicado en la parte inferior del depósito de solución. La solución / agua fluirá libremente en un cubo o en un desagüe del suelo.
2. Enjuague el depósito de solución con agua limpia después de cada uso. Esto ayudará a evitar cualquier químico
3. Atornille el tapón de vaciado (22).

Vaciado del depósito de recolección



NOTE

El depósito de recolección puede ser vaciado y limpiado después de completar cada operación de lavado.

1. Gire el seguro de depósito de recolección (17), retire el depósito de recolección de la máquina sujetando dos ranuras del tanque. Abra la tapa (1) y voltee el tanque de recolección para vaciar el agua sucia en un recipiente, o desenroscar el tapón de desagüe (22) para poner el tubo de agua para vaciar el líquido en un balde.
2. Limpie y enjuague el depósito de recolección con agua limpia después de cada uso.
3. Vuelva a colocar el depósito de recolección en la máquina y gire el tornillo (17) para bloquear el tanque

FUNCIONAMIENTO DE LA MÁQUINA

1. Ajuste el mango a una altura cómoda pulsando nivel (25).
2. Baje la escobilla de goma (33) sobre el suelo tirando hacia abajo el mecanismo de elevación (26).
3. Encienda el interruptor principal (47).
4. Encienda el interruptor del motor del cepillo (48) y el interruptor de la solución (50), indican la luz se encenderá.
5. Encienda el interruptor del motor del aspirador (49), El indicador luminoso se encenderá.
6. Si es necesario, ajustar el flujo de agua girando manualmente la válvula esférica (31).
7. Tire de uno o los dos gatillos de operación (24), y después el cepillo inicia a girar, la solución comenzará a fluir. Mueva la máquina y comienza a limpiar,

NOTA

Si el indicador luminoso de la batería (51) está en verde, la maquina está preparada para ser usada. Si el indicador esta en amarillo o rojo esto indica que la batería se debe recargar.



PRECAUCIÓN!

Antes de subir el cepillo debe apagarlo presionando el interruptor(47)



PRECAUCIÓN!

Cuando se limpian pisos excesivamente agresivos u otros, esto hace que la máquina no funcione, y los indicadores del motor del cepillo y del aspirador en el panel de control comienzan parpadear simultáneamente (46), esto significa que la máquina esta sobrecarga.

Por favor, apague todos los interruptores del panel de control (46).



PRECAUCIÓN!

No utilice la maquina con las baterías descargadas para evitar el daño y la reducir la vida útil de las baterías.

LUEGO DE UTILIZAR LA MAQUINA

Después del fregado, por favor proceder con las acciones abajo indicadas antes de estacionar/dejar la maquina:

1. Retire el soporte del cepillo / almohadilla.
2. Secar los depósitos completamente de fluido.
3. Lleve a cabo los procedimientos de mantenimiento diario (véase el capítulo de mantenimiento)
4. Guarde la máquina en un lugar limpio y seco, con el soporte del cepillo / almohadilla y la escobilla de goma alzadas o removidas.
5. Si va a guardar la maquina en un área que puede alcanzar temperaturas de congelación, asegúrese de vaciar todos los líquidos antes de su almacenamiento. los daños causados por las bajas temperaturas no serán cubiertos por la garantía.

NO UTILIZAR LA MÁQUINA POR UN PERIODO MUY PROLONGADO

Si la maquina no va a ser utilizada en un periodo de más de 30 días, por favor siga las siguientes instrucciones:

1. Aplicar el procedimiento mostrado en el parágrafo “Luego de utilizar la maquina”.
2. Desconecte el conector de la batería.

MANTENIMIENTO

Con un mantenimiento correcto y regular se garantiza la vida útil de y la máxima seguridad de funcionamiento de la maquina. La tabla siguiente proporciona el mantenimiento programado. Los intervalos indicados pueden variar según las condiciones de trabajo, que serán definidos por la persona a cargo del mantenimiento.



ADVERTENCIA

Los procedimientos de mantenimiento deben efectuarse con la máquina parada y las baterías y el cable de las baterías desconectado. Además, lea cuidadosamente las instrucciones en el capítulo Seguridad.

Todos los procedimientos de mantenimiento regulares o extraordinarios deben ser realizadas por una personal cualificada o por el centro de servicio autorizado.

Este manual describe sólo los más fáciles y más común de los procedimientos de mantenimiento.

Para los procedimientos de mantenimiento que aparecen en la tabla de mantenimiento programado, consulte el Manual de Servicio que puede ser consultado en cualquier Centro de Servicio autorizado.

TABLA DE MANTENIMIENTO PROGRAMADO

Procedimiento	Diariamente, después de utilizar la maquina	Semanalmente	Periodo de 6 meses	Anualmente
Carga de la batería				
Limpieza de escobilla de goma				
Limpieza de cepillo				
Limpieza de depósito y rejilla del aspirador y revisar el empaque de la cubierta				
Revisar la hoja de la escobilla de goma y su replazo				
Solución para limpieza del filtro				
Limpieza del filtro de la tubería de salida del filtro.				
Revisar el apretado de los tornillos y las tuercas			(1)	
Lubricación de las partes giratorias			(1)	
Soporte del Cepillo/almohadilla revisar motor del cepillo de carbono o reposición				(2)
Sistema de aspiración, revisar motor del cepillo de carbono o su reposición				(2)

(1) Y después de las primeras 8 horas de trabajo.

(2) Este procedimiento de trabajo debe ser hecho por un miembro del Centro de Servicios de VIPER.

RECARGAR LA BATERÍA

**NOTA**

Se debe recargar la batería cuando el indicador luminoso esta en amarillo o rojo o después de cada ciclo de trabajo.

**PRECAUCIÓN!**

Mantener las baterías recargadas hace que su vida útil sea mayor

**PRECAUCIÓN!**

Si la máquina no está equipada con un cargador de batería, puede elegir un cargador de batería externo que se ajuste al tipo de batería instalada.

**ADVERTENCIA!**

Por favor utiliza un cargador de batería aprobado por VIPER para recargar las baterías.

**ADVERTENCIA!**

Preste mucha atención cuando se recarguen baterías húmedas por que podría haber goteo de fluidos líquidos. El líquido de la batería es corrosivo, si este líquido tiene contacto con la piel o con los ojos debe lavar con bastante agua y consultar a su médico de cabecera.

1. Ponga el cargador y la máquina en una zona bien ventilada.
2. Apague la máquina (47).
3. Quite el depósito de recolección (2), exposición del compartimiento de la batería.
4. Conecte el cable de carga a la toma de polo a tierra (100V ~ 240V). Conecte el cable de carga al enchufe de la máquina.
5. Cuando se enciende el indicador de luz (30) significa que está recargando, la luz verde significa que la recarga de la batería ha finalizado.
6. Una vez finalizada la recarga, primero desconecte el cable de carga de la toma de corriente y a continuación desconecte la máquina.
7. Vuelva a colocar el depósito de recuperación.

**NOTA**

Para mayor información sobre el funcionamiento del cargador de batería puede dirigirse a él párrafo correspondiente.

LIMPIEZA DE LA ESCOBILLA DE GOMA**NOTA**

Las escobillas de goma deben estar limpias y sus hojas deben estar en buenas condiciones para obtener un buen secado.

**PRECAUCIÓN!**

Es aconsejable usar guantes de protección cuando se limpien las escobillas por que podría haber restos cortantes.

REVISAR Y REPLAZAR LA HOJAS DE LA ESCOBILLA DE GOMA

1. Retira las escobillas de goma como lo muestra el párrafo anterior

2. Compruebe visualmente si el borde de las hojas delanteras / traseras está agrietado, si es necesario reemplazarlos por nuevos.
3. Desenrosque las 6 tuercas de mariposa (37) para bajar las hojas.
4. Revise las hojas delanteras / traseras de integridad, corte y lágrimas. Si no funcionan bien se puede darles la vuelta o reemplazarlos.
5. Instale la escobilla de goma en el sentido inverso al desmontaje.

LIMPIEZA DE CEPILLOS /IMPULSOR DE ALMOHADILLA



PRECAUCIÓN!

Es aconsejable usar guantes de protección cuando se limpien los cepillos y las almohadillas por que podría haber restos cortantes

1. Retire el cepillo / almohadilla, como se muestra en el capítulo de Uso.
2. Limpiar y lavar el cepillo / almohadilla con agua y detergente.
3. Compruebe las cerdas del cepillo para la integridad y el estado de uso, si es necesario, sustituir el cepillo.
4. Compruebe la almohadilla para verificar el estado de uso, si es necesario, reemplace el impulsor de la almohadilla.

LIMPIEZA DEL DEPÓSITO Y REJILLA DEL ASPIRADOR Y EL EMPAQUE DE LA CUBIERTA



PRECAUCIÓN!

Es aconsejable utiliza guantes de protección cuando se limpie el depósito y el aspirador por que podría haber restos cortantes

1. Mueva la máquina a la zona de vertido señalada.
2. Apague el interruptor principal (47).
3. Retire el depósito de recolección (2), limpie y enjuague los depósitos, y vacíelos.
4. Qúitese todos los dispositivos del aspirador, junta, filtro, limpie y vuelva a instalar.
5. Comprobar el depósito de recolección, tapas, anillo de junta y la conexión de goma del aspirador (18) entre dos tanques están integrados o no.



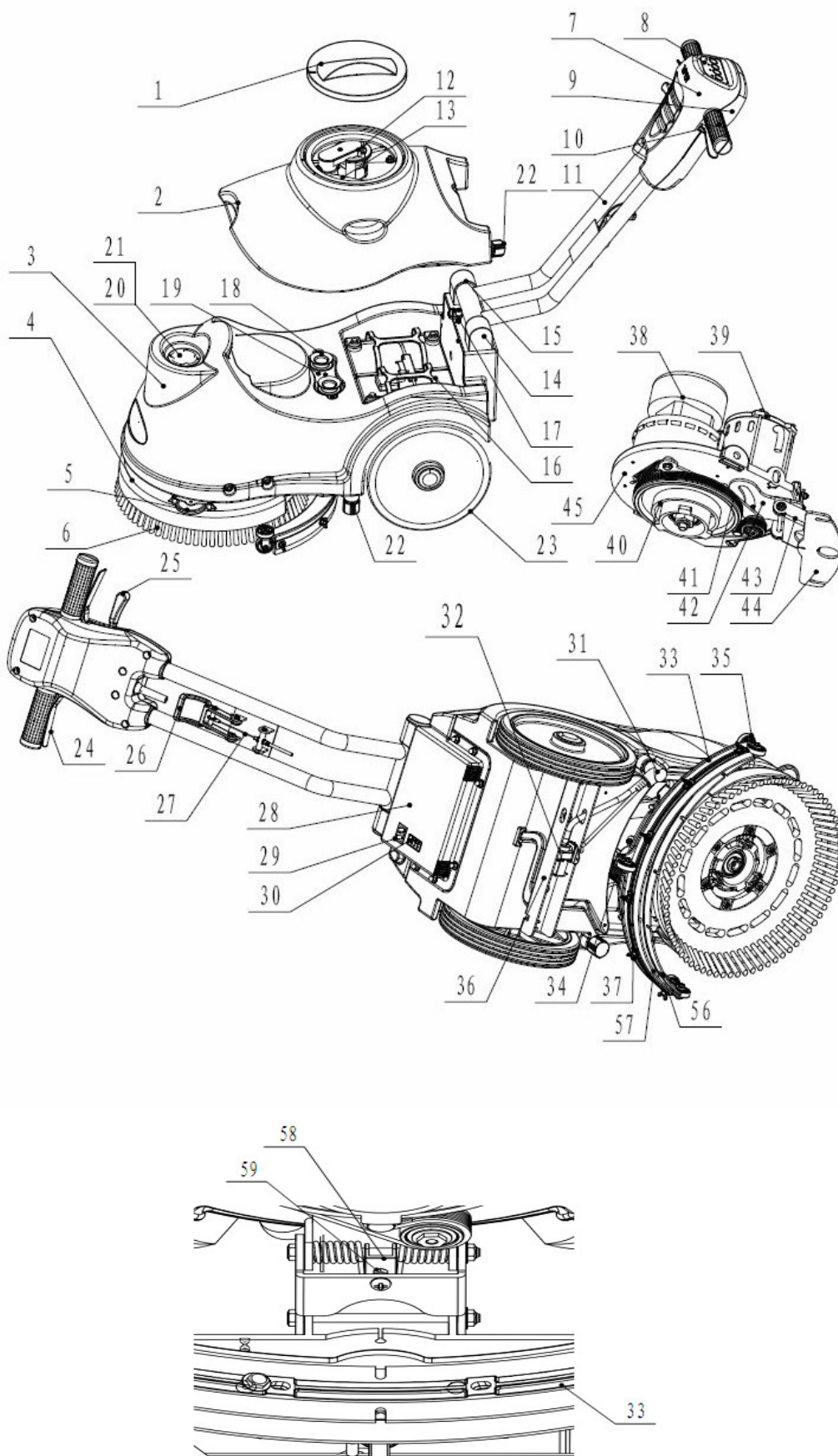
NOTA

El anillo de la junta del depósito de recolección y el caucho conector entre los dos depósitos crea vacío en el depósito. Si es necesario debe reemplazarlos

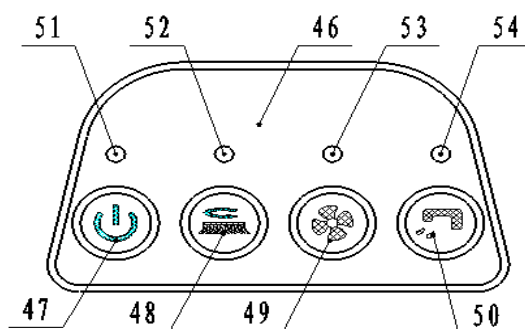
LA ESTRUCTURA DE LA MÁQUINA

1. Tapa del tanque de recolección
2. Tanque de recolección
3. Deposito de solución
4. Cubierta del cepillo
5. rodillos protectores
6. Cepillo
7. Funda para el mango delantero
8. panel de control
9. Funda para el mango trasero
10. Mango de goma

11. Tubería de hierro
12. Ensamblaje de aspirador de escobilla de goma
13. Ensamblaje del succionador de Escobilla de goma
14. Posicionamiento izquierda
15. Posicionamiento derecha
16. Baterías
17. Pestillo
18. Goma de sellado
19. Junta de la manguera
20. Entrada
21. Filtro de solución
22. Solución del tanque de vaciado.
23. Las ruedas en el eje fijo
24. Direccional izquierda y derecha
25. Palanca direccional de girar
26. Palanca de elevación de la escobilla de goma
27. Cadena de la escobilla de goma cadena
28. Caja de circuito
29. Cargador
30. Indicador de carga de la batería
31. Palanca de control del flujo de solución
32. Datos válvula electromagnética
33. Escobilla de goma
34. Mangueras de la escobilla de goma manguera
35. Ruedas de la escobilla de goma
36. Eje
37. Tuerca de mariposa
38. Sistema de vacío del motor
39. El motor del cepillo
40. La correa de transmisión
41. Cinturón
42. Escobilla de goma placa de rotación
43. Placa de elevación de escobilla de goma.
44. Placa de fijación de escobilla de goma
45. Placa de fijación del motor



Panel de control



- 46. panel de control
- 47. Interruptor principal
- 48. Interruptor del motor del cepillo
- 49. Interruptor del motor del aspirador
- 50. Interruptor de los datos de la válvula electromagnética de succión.
- 51. Indicador de la cantidad de electricidad
- 52. Indicador del motor del cepillo
- 53. Indicador del motor del aspirador
- 54. Indicador de los datos de la válvula electromagnética de succión

DATOS TECNICOS

Largo, ancho y alto de la maquina	770x500x550MM
Capacidad del depósito de solución	15L
Capacidad del depósito de recolección	15L
Diámetro de la rueda	254MM
Datos del motor del cepillo	24V 250W
Datos del motor del aspirador	24V 300W
Datos de la válvula electromagnética	24V
Pendiente máxima	2%
Palanca de sonido	68 dBA
Datos de las baterías	(2X12V) 24V 35Ah/20h
Largo del cable de alimentación	/
Especificaciones de las baterías	196 x 130 x 175mm
Capacidad de trabajo, hasta	1000 mm H2°
Productividad de limpieza	750m2/hora
Ancho de la escobilla de goma	490mm
Diámetro del cepillo	380mm
Revoluciones del cepillo	150rpm
Cargadores	Entrada 100-240 Vac,50-60HZ salida 24Vdc, 5A
Peso de funcionamiento	60kg
Peso de bruto	65kg
Especificaciones de la caja de cartón	780x415x590MM

SOLUCIÓN DE PROBLEMAS

Problema	Posible causa	Solución
La maquina no funciona, el indicador luminoso(51) no enciende	El conector de la batería esta desconectado	Conectarlo
	La batería está totalmente descargada	Recargar las baterías
	La línea de alimentación esta desconectada	Conectarla
La maquina no funciona, el indicador luminoso (51) está en rojo.	Las baterías están descargadas	Recargarlas baterías
El motor del cepillo no funciona, la luz luminosa del cepillo(52) no enciende	El PCB o el teclado está roto	Recargar el PCB o cambiar la teclado
El motor del cepillo no funciona, la luz luminosa del cepillo(52) parpadea	La cubierta del motor está sobrecargada	Utilice un cepillo menos agresivo y ajustable al suelo que se va a limpiar
	Hay materiales extraños (hilos enredados, etc.) evitando que el cepillo gire	Limpe el centro del cepillo
El motor del sistema de aspiración no funciona, la luz luminosa del motor del aspirador (53) no enciende	El PCB o el teclado está roto	Cambie el PCB o el teclado
El motor del sistema de aspiración no funciona, la luz luminosa(53) parpadea	El motor el sistema de aspiración está sobrecargado	Revisa el motor del sistema de aspiración
La aspiración del agua sucia es insuficiente	El depósito de recolección está lleno	Vacié el depósito de recolección
	La manguera esta desconectada de la escobilla de goma	conectarla
	La unidad de aspiración esta obstruida	Revisar o limpiar
	La escobilla de goma esta sucia, o las hojas de la escobilla de goma están desgastadas o dañadas	límpielas o revise por posible desgaste
	El depósito de recolección no está limitado	Bloquear el pestillo(17)
	La cubierta del depósito no está correctamente cerrada, o la junta está dañada	Cierra la cubierta correctamente o reemplace las juntas dañadas.
	La pieza de regulación de la escobilla de goma (58) no está posicionada adecuadamente	Ajuste la tuerca (59) en la posición correspondiente
El flujo de la solución es insuficiente	No hay suficiente solución	Rellena de agua el deposito
	El control del fluido de la solución(32) está bloqueado	Limpe la válvula
	La solución está sucia	Limpe la solución o cámbiela
Los cepillos de goma dejan marcas en el suelo.	hay desperdicios debajo de las hojas de los cepillos de goma	Remueva los desperdicios
	Las hojas de los cepillos de gomas están desgastados, astillados o desgarrados	Reemplace las hojas

PRECAUÇÕES DE SEGURANÇA

Esta máquina foi feita para uso comercial. Foi construída para ser usada em um ambiente interno e não deve ser usada de qualquer outra forma. Use somente os acessórios recomendados.

Todos os operadores devem ler, entender e cumprir com as seguintes precauções de segurança:

1) NÃO OPERE A MÁQUINA:

- A não ser que você esteja capacitado e autorizado.
- A não ser que você leia e entenda o manual do operador.
- Em áreas inflamáveis ou explosivas.
- A não ser que as condições sejam adequadas.
- Em áreas externas.

2) ANTE DE OPERAR A MÁQUINA:

Tenha certeza que todos os dispositivos de segurança estão em seu lugar correto e estão funcionando corretamente.

3) QUANDO ESTIVER USANDO A MÁQUINA:

- Devagar em superfícies inclinadas e escorregadiças.
- Siga todas as normas de segurança.
- Tenha cuidado quando estiver usando a máquina em marcha atrás.
- Informe e conserte qualquer avaria na máquina antes de começar sua utilização.

4) AO TERMINO OU MANUTENÇÃO DA MÁQUINA:

- Pare a máquina sobre uma superfície plana.
- Deligue a máquina

5) QUANDO REPARAR MÁQUINA:

- Leia completamente o manual do operador antes de operar ou reparar esta máquina.
- Use somente partes fornecidas ou aprovadas pelo fabricante.
- Assegure a máquina com travas nas rodas antes de levá-la.
- Use somente guinchos aprovados para levantar a máquina de maneira segura.
- QUANDO REPARAR MÁQUINA: (continuação)**
- Desconecte as baterias antes de começar a operar a máquina.
- Use luvas quando estiver trabalhando com as baterias ou seus cabos.
- Evite qualquer contato com o ácido da bateria.
- Evite as partes móveis, não use roupa solta quando estiver reparando a máquina.



ADVERTÊNCIA!

As baterias podem emitir gás hidrogênio. Explosão ou incêndio pode ser resultado do gás hidrogênio. Mantenha qualquer faísca ou chamas abertas distantes! Mantenha o compartimento da bateria aberto durante a recarga.



ADVERTÊNCIA!

Materiais inflamáveis podem causar explosão ou incêndio. Não use materiais inflamáveis dentro dos tanques.



ADVERTÊNCIA!

Materiais inflamáveis ou metais reativos podem causar explosão ou incêndio. Não toque.

Configuração Da Máquina E Instalação

ABRINDO A MAQUINA

Revise toda a embalagem por qualquer avaria. Informe qualquer avaria imediatamente a companhia de transporte.

Revise o conteúdo da embalagem, para ter certeza que todos os itens estão incluídos:

1. Máquina
2. Baterias (x2)
3. Peças de montagem do rodo
4. Manual Do Usuário do Secador
5. Manual do Carregador Elétrico de Bateria (se equipado)
6. Cabo conector para a bateria e carregador (se equipado)
7. Escova ou disco limpador (se equipado)

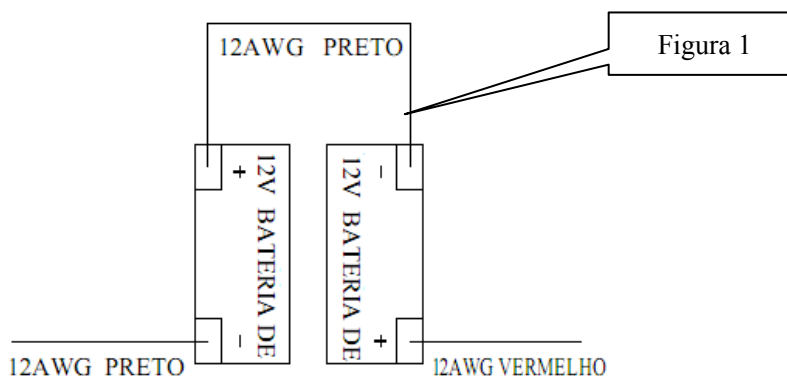
DESMONTAGEM E INSTALAÇÃO DA BATERIA

1. Desligue o interruptor principal (47).
2. Remover o tanque de recuperação (2), como indicado no parágrafo correspondente.
3. Desapertar o parafuso de baterias (16), em seguida, remover ou mudar.
4. Instale as pilhas na máquina de acordo com o diagrama abaixo.
5. Instale o tanque de recuperação.



ADVERTÊNCIA

Não conecte + a+, ou - a-, quando estiver desmontando ou instalando as baterias. É muito perigoso.



Carregando a bateria

Carregue as baterias (ver o procedimento no capítulo de Manutenção).

Configuração Da Máquina

Verificações prévias

1. Varra a superfície que será limpa.
2. Verifique se o rodo está instalado corretamente.
3. Abaixar o rodo (33) com a alavanca (26).

4. Verifique se a bateria está completamente carregada. (Ver CARREGANDO A BATERIA)
5. Verifique se escova / disco está instalado corretamente.

Instalação e Desmontagem da Escova/Disco Limpador



NOTA

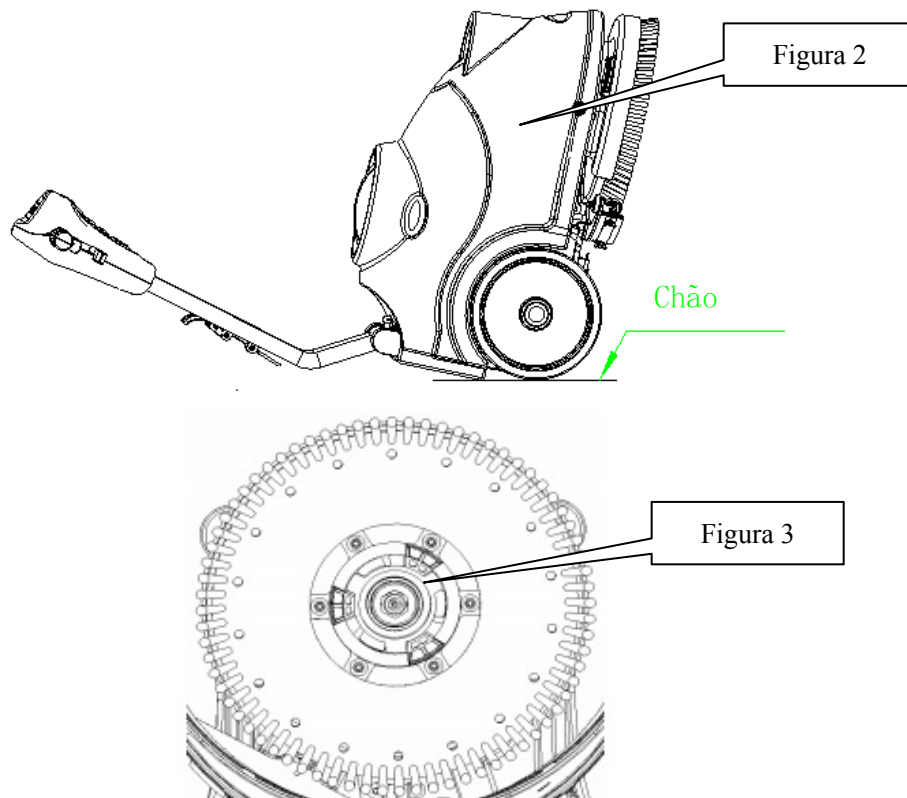
*Instale somente manualmente. Se usar a instalação automática, o eixo da escova vai se desgastar.
Tenha certeza que os tanques estão vazios antes de desmontar a escova.*

1. Desligue a máquina.
2. Deite a máquina nesta posição, como esta indicado na figura 2, Puxe a alavanca de elevação para cima (26) para levantar o rodo (33).
3. Monte a escova ou o disco na unidade do eixo da roda e gire no sentido horário até que ela trave, como indicado na figura 3.
4. Guarde a máquina em um local limpo e seco, com a escova/suporte ao rodo levantado ou removido.



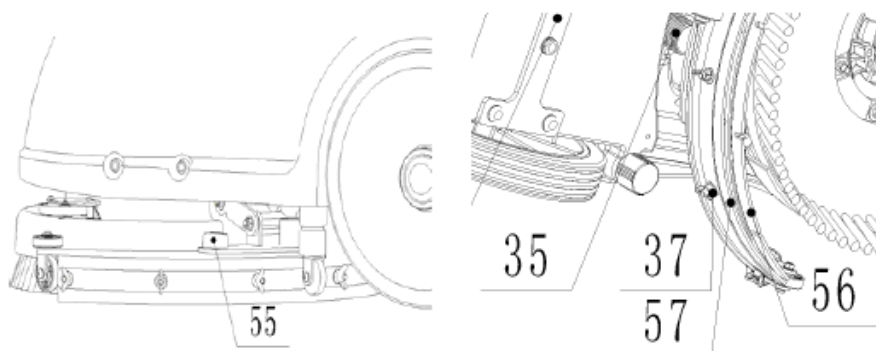
ADVERTÊNCIA

Não ligue a máquina quando ela estiver nesta posição. Caso a escova/disco saiam do seu lugar, causando algum acidente.



Instalação do Rodo

1. Desligue a máquina (47).
2. Puxe para baixo a alavanca de elevação do rodo (26) para colocar o rodo na posição de "trabalho".
3. Deite a máquina nesta posição, como indicado na Figura 2.
4. Solte os dois botões (55) sobre o rodo e deslize o rodo nos slots de apoio.
Aperte os botões de forma segura (durante a desmontagem, é preciso desapertar os botões).
5. Para substituir o rodo dianteiro/traseiro (56/57), desapertar a porca borboleta (37).



Preenchimento do Tanque das Soluções



NOTA

A máquina pode ser preenchida com uma mangueira ou com baldes. Não remova o filtro as Soluções (21) durante o preenchimento.

1. Encher de água do tanque de solução de (3) a partir da entrada (20), através de uma mangueira ou balde.
2. Não encha o tanque de solução completamente, deixe alguns centímetros da borda.
3. A temperatura da água não deve exceder 40°C.



CUIDADO!

Use apenas detergentes de baixa espuma e não inflamável, destinados a aplicações automáticas de lavagem de gás.

Drenagem do Tanque das Soluções



NOTA

Tanque de solução deve ser drenado e limpo após o término de cada operação de limpeza.

4. Desenrosque a tampa do dreno (22) na parte inferior do tanque de solução. A solução / água vai fluir livremente para um balde ou ralo.
5. Lave o tanque de solução com água limpa após cada utilização. Isso ajudará a evitar reações químicas.
6. Ajustar a tampa de drenagem (22).

Drenagem do Tanque de Recuperação



NOTA

Tanque de solução deve ser drenado e limpo após o término de cada operação de limpeza.

1. Gire a trava (17) fora do tanque de recuperação, tirar o tanque de recuperação da máquina, segurando as duas ranhuras do tanque. Abra a tampa (1) e de volta ao tanque de recuperação para drenar a água suja em um recipiente, ou desparafusar a tampa de drenagem (22) para deixar a água cair dentro de um balde.
2. Lave o tanque de solução com água limpa após cada utilização.
3. Recolocar o tanque de recuperação na máquina e girar o trinco (17) para fixar o tanque.

OPERAÇÃO DA MÁQUINA

1. Defina uma altura confortável do manípulo pressionando o nível (25).
2. Abaixar o rodo (33) no assoalho, puxando para baixo o mecanismo de elevação (26).
3. Ligue o interruptor principal (47).
4. Ligue o interruptor do motor da escova (48) e o interruptor de solução (50), a luz indica que está ligado.
5. Ligue o interruptor do motor da escova (49), a luz indica que está ligado.
6. Se necessário, ajustar o fluxo de água girando a válvula (31) manualmente.
7. Puxe um ou ambos os gatilhos de operação (24), e em seguida, a escova começa a funcionar e a solução começa a fluir. Mova a máquina e comece a limpeza.

NOTA

Se a luz indicadora de bateria (51) é verde, a máquina pode ser utilizada. Se for amarela ou vermelha, as baterias devem ser carregadas.



CUIDADO !

Antes de levantar a escova, desligue pressionando o interruptor (47).



CUIDADO !

Se usar força excessivamente agressiva durante a limpeza dos chãos, é possível que a máquina deixe de funcionar. Os indicadores dos motores da escova e do aspirador no painel de controle (46) irão piscar simultaneamente. Isso significa que a máquina está sobrecarregada.

Por favor, desligue todos os interruptores no painel de controle (46).



CUIDADO !

Não utilize a máquina com baterias descarregadas para evitar danificar as baterias e reduzir a vida útil da bateria.

APÓS O USO DA MÁQUINA

Após a lavagem, continue com as ações abaixo antes de deixar a máquina:

1. Retire a escova / eixo do disco.
2. Secar a escova e secar os tanques de fluido.
3. Executar os procedimentos de manutenção diária (veja o capítulo de manutenção).
4. Guarde a máquina em um local limpo e seco, com a escova / disco limpador e rodo.
5. Se o armazenamento em uma área que pode chegar a temperaturas de congelamento, certifique-se de drenar todos os fluidos da máquina antes do armazenamento. Qualquer dano causado por baixas temperaturas não serão cobertos pela garantia.

NÃO USE A MÁQUINA POR UM LONGO PERÍODO DE TEMPO

Se a máquina não vai ser usada por mais de 30 dias, proceder com ações abaixo:

1. Executar os procedimentos mostrados no parágrafo "após a utilização da máquina".
2. Desconectar a bateria.

MANUTENÇÃO

A vida útil da máquina e sua segurança máxima são asseguradas através da manutenção adequada e regular. O gráfico seguinte apresenta a manutenção programada. Os intervalos apresentadas podem variar de acordo com determinadas condições de trabalho, que serão definidas pela pessoa encarregada da manutenção.



ADVERTÊNCIA

Os procedimentos de manutenção devem ser realizados com a máquina desligada e o cabo do carregador das pilhas/baterias

Deve estar desconectado. Além disso, leia atentamente as instruções no capítulo da segurança.

Todos os procedimentos de manutenção programados ou extraordinários devem ser realizados por pessoal qualificado, ou por um Centro de Assistência autorizado.

Este manual descreve apenas os procedimentos de manutenção mais fácil e mais comum.

Para outros procedimentos de manutenção indicados na tabela de manutenção programada, consulte o Manual de manutenção que pode ser consultado em qualquer Centro de Serviço.

TABELA DE MANUTENÇÃO PROGRAMADA

Procedimento	Diário, após o uso da máquina.	Semanal	A cada seis meses	Anual
Carregando a bateria				
Limpeza do rodo				
Limpeza da escova				
Rede do tanque e aspirador com limpeza do float, verificação da tampa da vedação.				
Verificação e substituição de lâmina do rodo				
Limpeza do Filtro da Solução				
Limpeza do filtro de água externa.				
Verificação de aperto dos parafusos e das porcas.			(1)	
Lubrificação das partes móveis			(1)	
Verificação ou substituição do motor escova.				(2)
Verificação ou substituição do motor aspirador.				(2)

(1) E após as primeiras 8 horas de trabalho.

(2) Este procedimento de manutenção deve ser realizado por Centro de Serviço autorizado pela Viper.

CARREGANDO A BATERIA



NOTA

Carregue as baterias quando o indicador estiver de cor amarela ou vermelha (51), ou no final de cada ciclo de trabalho.



CUIDADO !

Carregando as baterias, assegure uma vida útil mais longa.



CUIDADO !

Se a máquina não está equipada com carregador de bateria a bordo, escolha um carregador de bateria externo adequado para o tipo de baterias.



ADVERTÊNCIA!

Por favor, use um carregador aprovado pela Viper para carregar suas baterias.



ADVERTÊNCIA!

Preste muita atenção ao carregar baterias WET, pode haver vazamentos de fluido da bateria. O fluido da bateria é corrosivo. Se o mesmo entra em contato com a pele ou os olhos, lave com água e consulte um médico.

1. Coloque o carregador e máquina em uma área bem ventilada.
2. Desligue a máquina (47).
3. Tire o tanque de recuperação (2), mostrando assim o compartimento da bateria.
4. Conecte o cabo de carregamento para a terra da tomada (100V ~ 240V). Conecte o cabo de carregamento na tomada da máquina.
5. A luz indicadora de carga (30) ligar, o que significa que esta sendo carregada, a luz verde significa que o carregamento da bateria está concluído.
6. Após a conclusão do carregamento, primeiro desconecte o cabo de carregamento da tomada e depois desconecte da máquina.
7. Substituir o tanque de recuperação.



NOTA

Para mais informações sobre a operação do carregador da bateria (29), consulte o paragrafo relevante.

LIMPEZA DO RODO



NOTA

O rodo deve ser limpo e suas laminas devem estar em boas condições para conseguir uma boa limpeza.



CUIDADO!

É aconselhável o uso de luvas durante o procedimento de limpeza das laminas, já que podem existir resíduos afiados.

VERIFICAÇÃO E SUBSTITUIÇÃO DE LÂMINA DO RODO

1. Remova os rodos como foi demonstrado no paragrafo anterior.
2. Revise se as bordas das lâminas dianteiras/traseiras estão rachadas, se necessário substituí-las por novas.
3. Desapertar a seis porcas borboletas (37) para remover as lâminas.
4. Revise a condição das lâminas dianteiras/traseiras. Se não estão em boas condições, substitui-las.
5. Instale o rodo novamente, na ordem reversa da desmontagem.

LIMPEZA DA ESCOVA/DISCO LIMPADOR



CUIDADO!

É aconselhável o uso de luvas durante o procedimento de limpeza das escova/disco limpador, já que podem existir resíduos afiados.

1. Remover a escova./disco como foi demonstrado no Capítulo Utilização.
2. Limpe e lave a escova/disco com água e detergente.
3. Revise a condição da escova e caso for necessário, substituir a escova por uma nova,
4. Revise a condição de uso do disco e caso for necessário, substitui-lo por um novo.

REDE DO TANQUE E ASPIRADOR COM LIMPEZA DO FLOAT, VERIFICAÇÃO DA TAMPA DA VEDAÇÃO.



CUIDADO !

É aconselhável o uso de luvas durante o procedimento de limpeza do tanque e sistema de sucção, já que podem existir resíduos afiados.

1. Leve a máquina até a área de eliminação de resíduos.
2. Desligue o interruptor principal (47).
3. Retire o tanque de recuperação (2), limpe os tanques de recuperação e solução, até que estejam vazios.
4. Tire todos os kits: vedação, filtro, e limpe todos. Após isso, instale todos novamente.
5. Revise a tampa dos tanques e o anel de vedação de borracha do conector da sucção (18) entre os dois tanques, para verificar.



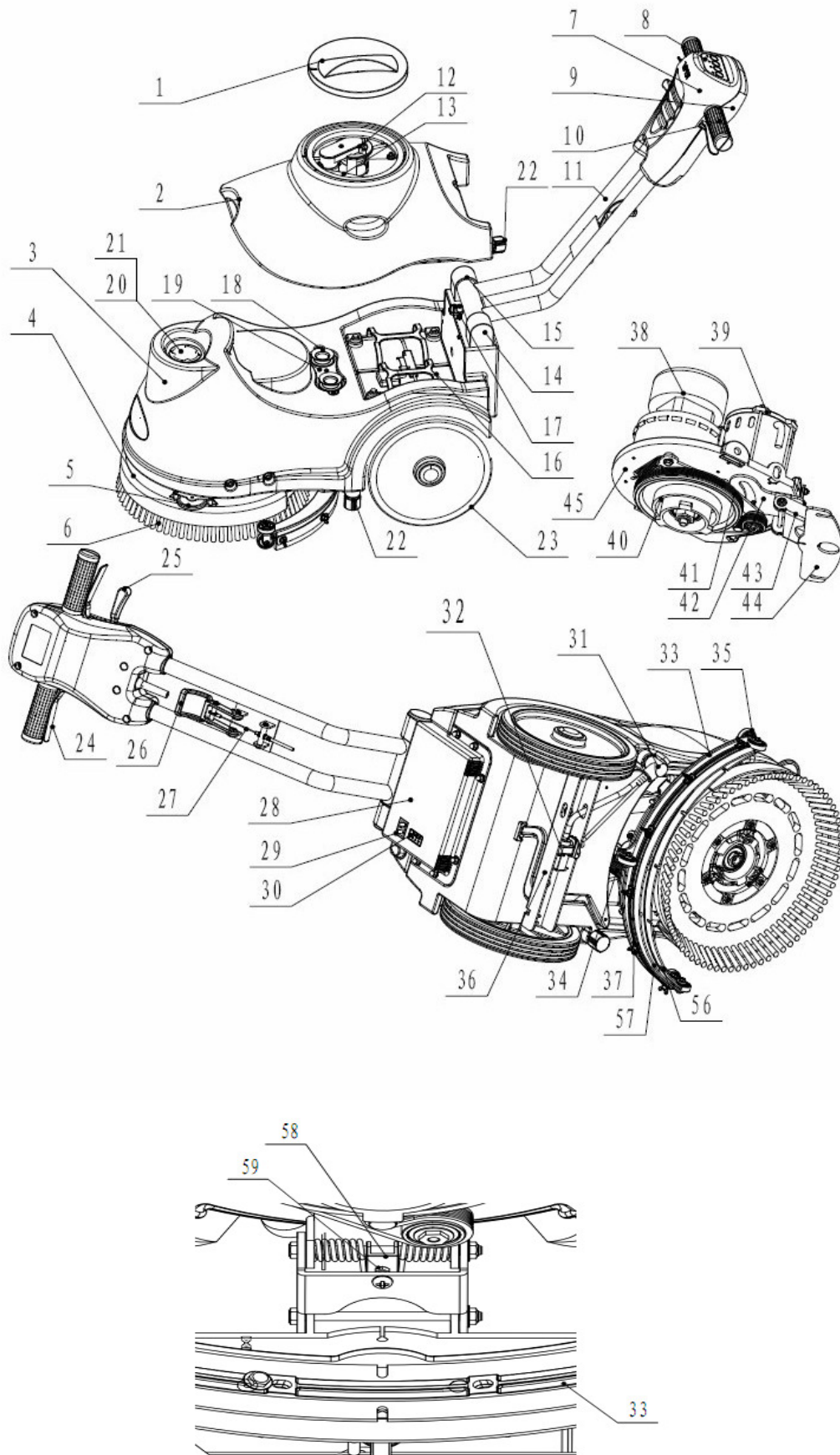
NOTA

O anel de vedação do tanque de recuperação e o conector de borracha entre dois tanques cria um vácuo no tanque. Caso for necessário, substituí-los.

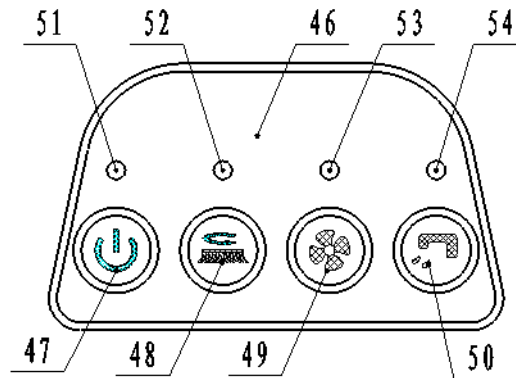
ESTRUTURA DA MÁQUINA

1. Tampa do Tanque de Recuperação
2. Tanque de Recuperação
3. Tanque das Soluções
4. Cobertura da Escova
5. Rolos Protetores
6. Escova
7. Cobertura do manípulo dianteiro
8. Painel de Controle
9. Cobertura do manípulo traseiro
10. Manípulo de borracha
11. Manípulo do tubo de ferro
12. Peças de montagem do rodo
13. Peças de montagem de sucção
14. Posicionamento esquerdo
15. Posicionamento direito
16. Baterias
17. Tranca
18. Borracha de vedação
19. Articulação limite da mangueira
20. Entrada
21. Filtro da Solução
22. Tanque das Soluções
23. Rodas sobre eixo fixo
24. Manípulo esquerdo e direito
25. Manípulo da alavanca de rotação
26. Alavanca de elevação do rodo
27. Corda do rodo
28. Caixa de circuitos
29. Carregador

30. Indicador do carregador da bateria
31. Alavanca do controle de fluxo da solução
32. Informação da válvula eletromagnética
33. Rodo
34. Mangueira do rodo
35. Rodas do rodo
36. Eixo
37. Porca borboleta
38. Motor do sistema aspirador
39. Motor da escova
40. Correia de transmissão
41. Correia
42. Lamina rotativa do rodo
43. Lamina elevadora do rodo
44. Lamina fixadora do rodo
45. Lamina fixadora do motor



Painel de Controle



- 46. Painel de Controle
- 47. Interruptor principal
- 48. Interruptor do motor da escova
- 49. Interruptor do motor do aspirador
- 50. Interruptora válvula eletromagnética de sucção
- 51. Indicador da quantidade elétrica
- 52. Indicador do motor da escova
- 53. Indicador do motor do aspirador
- 54. Indicador de dados da válvula eletromagnética de sucção

INFORMAÇÃO TÉCNICA

Comprimento* largura * altura da máquina	770x500x550MM
Capacidade do Tanque Soluções	15L
Capacidade do Tanque de Recuperação	15L
Diâmetro da Roda	254MM
Informação do motor da escova	24V 250W
Informação do motor aspirador	24V 300W
Informação da válvula eletromagnética	24V
Gradiente máximo	2%
Alavanca de som	68 dBA
Informação das baterias	(2X12V) 24V 35Ah/20h
Comprimento do cabo de alimentação	/
Especificação das baterias	196 x 130 x 175mm
Capacidade até	1000 mm H ₂ O
Produtividade da limpeza	750m ² /hora
Largura do rodo	490mm
Diâmetro da escova	380mm
rpm da escova	150rpm
Carregador	Input 100-240 Vac, 50-60HZ Output 24Vdc, 5A
Peso de operacional	60kg
Peso de bruto	65kg
Especificação do empacotamento	780x415x590MM

SOLUÇÃO DE PROBLEMAS

Problemas	Causa Possível	Resolução
A maquina não funciona, a luz indicadora (51) não liga.	O cabo conector da bateria esta desconectado	Conectar
	As baterias estão completamente descarregadas	Carregue as baterias
	A linha de alimentação desconectou	Conectar
A maquina não funciona, a luz indicadora (51) esta vermelha.	As baterias estão descarregadas	Carregue as baterias
A maquina não funciona, a luz indicadora da escova (52) não liga.	O PCB ou a painel da chave estão quebrados	Troque o PCB ou o painel da chave
O motor da escova não funciona, a luz indicadora da escova (52) pisca.	O motor deck esta sobrecarregado	Use menos força. Use a força adequada de acordo ao chão que se esta limpando
	Há materiais estranhos (fios emaranhados, etc.) que impedem a rotação da escova.	Limpe o compartimento da escova
O sistema aspirador não funciona, a luz indicadora do aspirador (53) não liga.	O PCB ou a painel da chave estão quebrados	Troque o PCB ou o painel da chave
O motor do sistema aspirador não funciona, a luz indicadora da escova (53) pisca.	O sistema aspirador esta sobrecarregado	Revise o motor do sistema aspirador
A aspiração da agua suja é insuficiente	O tanque de recuperação esta cheio	Esvazie o tanque de recuperação.
	A mangueira esta desconectada do rodo	conectar
	A montagem do aspirador esta tapada	Limpe ou revise
	O rodo esta sujo, ou as laminas do rodo estão desgastadas ou danificadas.	Limpe e revise o rodo
	O tanque de recuperação não esta limitado	Feche a trava
	O tampa do tanque não esta fechada corretamente ou a vedação o tanque esta danificada	Feche a tampa corretamente ou coloque uma nova vedação
	Peça de ajuste de rodo (58) não definida na posição correcta	Ajuste a porca (59) para a posição correcta
O fluxo da solução é insuficiente	A solução esta vazia	Cheio de agua
	A válvula de controle do fluxo da solução (31) esta bloqueado	Limpe a válvula
	A solução esta suja	Limpe a solução
O rodo esta deixando marcas no chão	Há sujeira debaixo das laminas do rodo	Limpe toda a sujeira das laminas
	As laminas do rodo esta desgastadas, lascadas ou quebradas.	Substitua as laminas

ΠΡΟΛΗΠΤΙΚΑ ΜΕΤΡΑ ΑΣΦΑΛΕΙΑΣ

Αυτό το μηχάνημα προορίζεται για εμπορική χρήση. Είναι κατασκευασμένο για χρήση σε εσωτερικό περιβάλλον και δεν προορίζεται για οποιαδήποτε άλλη χρήση. Χρησιμοποιείτε μόνο με τα συνιστώμενα εξαρτήματα.

Όλοι οι χειριστές πρέπει να διαβάσουν, να κατανοήσουν και να ακολουθήσουν τις ακόλουθες προφυλάξεις:

1) ΜΗ ΛΕΙΤΟΥΡΓΕΙΤΕ ΤΟ ΜΗΧΑΝΗΜΑ:

Εάν δεν έχετε εκπαιδευτεί και εξουσιοδοτηθεί να το χρησιμοποιείτε.

Εάν δεν έχετε διαβάσει και κατανοήσει το εγχειρίδιο χρήστη.

Σε περιοχές με εύφλεκτα ή εκρηκτικά.

Εάν δεν είναι σε τέλεια κατάσταση λειτουργίας.

Σε εξωτερικούς χώρους.

2) ΠΡΙΝ ΛΕΙΤΟΥΡΓΗΣΕΤΕ ΤΟ ΜΗΧΑΝΗΜΑ:

Βεβαιωθείτε ότι όλες οι συσκευές ασφαλείας είναι στη θέση τους και λειτουργούν σωστά.

3) ΚΑΤΑ ΤΗ ΧΡΗΣΗ ΤΟΥ ΜΗΧΑΝΗΜΑΤΟΣ:

Πηγαίνετε αργά σε ολισθηρές επιφάνειες και επιφάνειες με κλίση.

Ακολουθήστε όλες τις οδηγίες ασφαλείας.

Να είστε πολύ προσεκτικοί όταν χρησιμοποιείτε το μηχάνημα με την όπισθεν.

Αναφέρετε και διορθώστε τυχόν ζημιές στο μηχάνημα πριν το λειτουργήσετε.

4) ΠΡΙΝ ΑΠΟΜΑΚΡΥΝΘΕΙΤΕ ΑΠΟ ΤΟ ΜΗΧΑΝΗΜΑ Ή ΠΡΙΝ ΑΠΟ ΤΟ ΣΕΡΒΙΣ:

Σταματήστε το μηχάνημα σε επίπεδο έδαφος.

Σβήστε το μηχάνημα.

5) ΚΑΤΑ ΤΗ ΣΥΝΤΗΡΗΣΗ ΤΟΥ ΜΗΧΑΝΗΜΑΤΟΣ:

Διαβάστε προσεκτικά το εγχειρίδιο χρήστη πριν από τη λειτουργία ή πριν του κάνετε σέρβις.

Χρησιμοποιήστε ανταλλακτικά που έχουν εγκριθεί ή δοθεί από τον κατασκευαστή.

Ασφαλίστε το μηχάνημα με τάκους στους τροχούς πριν το ανυψώσετε.

Χρησιμοποιήστε εγκεκριμένο γρύλο ή συσκευή ανύψωσης για να ανυψώσετε το μηχάνημα με ασφάλεια.

ΚΑΤΑ ΤΗ ΣΥΝΤΗΡΗΣΗ ΤΟΥ ΜΗΧΑΝΗΜΑΤΟΣ: (συν.)

Αποσυνδέστε τις μπαταρίες πριν εργαστείτε στο μηχάνημα.

Να φοράτε γάντια όταν χειρίζεστε τις μπαταρίες ή τα καλώδια της μπαταρίας.

Αποφύγετε κάθε επαφή με το οξύ της μπαταρίας.

Αποφύγετε τα κινούμενα μέρη και μη φοράτε φαρδιά ρούχα όταν κάνετε συντήρηση στο μηχάνημα.



ΠΡΟΣΟΧΗ!

Οι μπαταρίες εκπέμπουν αέριο υδρογόνου, που μπορεί να προκαλέσει έκρηξη ή πυρκαγιά. Κρατήστε το μακριά από σπινθήρες και φλόγες! Κρατήστε τη θήκη των μπαταριών ανοικτή κατά τη φόρτιση.



ΠΡΟΣΟΧΗ!

Εύφλεκτα υλικά μπορεί να προκαλέσουν έκρηξη ή πυρκαγιά. Μην χρησιμοποιείτε εύφλεκτα υλικά στις δεξαμενές του.



ΠΡΟΣΟΧΗ!

Εύφλεκτα υλικά ή αντιδραστικά μέταλλα μπορούν να προκαλέσουν έκρηξη ή πυρκαγιά. Μην απορροφάτε τέτοια υλικά.

ΕΓΚΑΤΑΣΤΑΣΗ & ΡΥΘΜΙΣΗ ΤΟΥ ΜΗΧΑΝΗΜΑΤΟΣ

ΑΠΟΣΥΣΚΕΥΑΣΙΑ ΤΟΥ ΜΗΧΑΝΗΜΑΤΟΣ

Φροντίστε να ελέγξετε το κουτί της συσκευασίας για τυχόν ζημιά. Να αναφέρετε αμέσως οποιαδήποτε βλάβη στο μεταφορέα.

Ελέγξτε το περιεχόμενο της συσκευασίας για να βεβαιωθείτε ότι περιλαμβάνονται τα παρακάτω στοιχεία:

1. Μηχάνημα
2. Μπαταρίες (x2)
3. Μηχανισμός μάκτρου
4. Εγχειρίδιο χρήστη του τριβείου-στεγνωτηρίου
5. Εγχειρίδιο χρήστη για τον ηλεκτρικό φορτιστή μπαταρίας (εάν παρέχεται)
6. Καλώδιο σύνδεσης για τη μπαταρία και το φορτιστή (εάν παρέχεται)
7. Οδηγός βούρτσας ή βάσης (εάν παρέχεται)

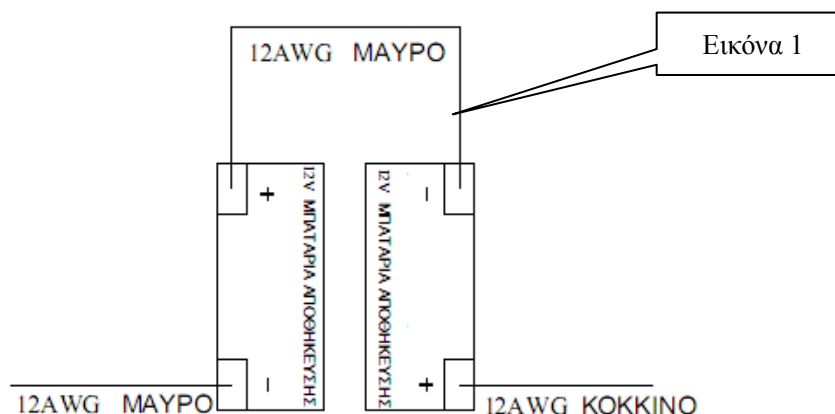
ΑΠΟΣΥΝΑΡΜΟΛΟΓΗΣΗ ΚΑΙ ΕΓΚΑΤΑΣΤΑΣΗ ΜΠΑΤΑΡΙΑΣ

1. Κλείστε τον κεντρικό διακόπτη (47).
2. Αφαιρέστε τη δεξαμενή ανάκτησης (2), όπως φαίνεται στη σχετική παράγραφο.
3. Ξεβιδώστε το μπουλόνι από τις μπαταρίες (16), και στη συνέχεια, αφαιρέστε ή αλλάξτε τη μπαταρία.
4. Τοποθετήστε τις μπαταρίες στο μηχάνημα σύμφωνα με το παρακάτω διάγραμμα.
5. Τοποθετήστε τη δεξαμενή ανάκτησης.



ΠΡΟΕΙΔΟΠΟΙΗΣΗ

Μην συνδέετε + με +, ή - με -, όταν αποσυναρμολογείτε ή να εγκαταστήσετε τις μπαταρίες. Είναι πολύ επικίνδυνο.



Φόρτιση της μπαταρίας

Φορτίστε τις μπαταρίες (βλ. διαδικασία στο κεφάλαιο Συντήρηση).

ΡΥΘΜΙΣΗ ΜΗΧΑΝΗΜΑΤΟΣ

Έλεγχοι πριν απο τη λειτουργία

1. Με σκούπα ή παρκετέζα σκουπίστε την επιφάνεια που πρόκειται να καθαριστεί.
2. Φροντίστε να έχει εγκατασταθεί σωστά το μάκτρο.
3. Χαμηλώστε το μάκτρο (33) με το μοχλό (26).
4. Ελέγξτε εάν η μπαταρία είναι πλήρως φορτισμένη. (Βλ. ΦΟΡΤΙΣΗ ΜΠΑΤΑΡΙΑΣ)
5. Ελέγξτε εάν ότι η βούρτσα / βάση έχουν εγκατασταθεί σωστά.

Εγκατάσταση και αποσυναρμολόγηση του οδηγού βούρτσας / βάσης



ΣΗΜΕΙΩΣΗ

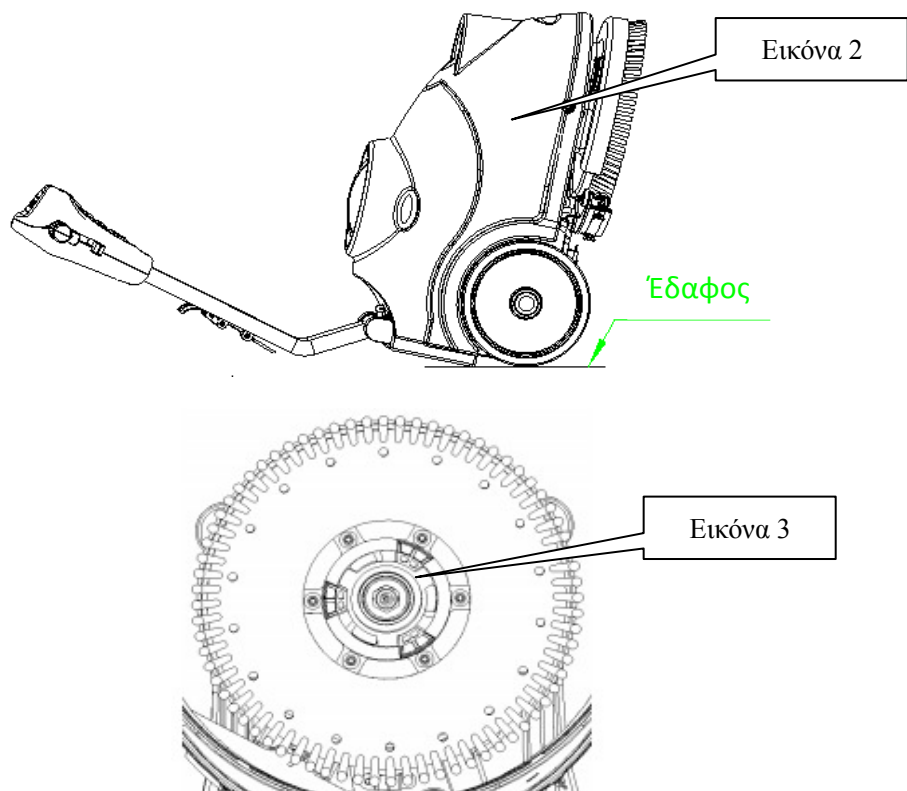
Η εγκατάσταση να γίνεται μόνο χειροκίνητα. Εάν γίνει αυτόματη εγκατάσταση, φθίρεται η πλήμνη της βούρτσας. Φροντίστε οι δεξαμενές να είναι άδειες πριν αποσυναρμολογήσετε τη βούρτσα.

1. Απενεργοποιήστε το μηχάνημα.
2. Τοποθετήστε το μηχάνημα στη θέση που υποδεικνύεται στην Εικόνα 2, τραβήξτε προς τα πάνω το μοχλό ανύψωσης (26) για να ανυψωθεί το μάκτρο (33).
3. Τοποθετήστε τη βούρτσα ή τη βάση πάνω στην πλήμνη του τροχού κίνησης και στη συνέχεια περιστρέψτε αριστερόστροφα μέχρι να ασφαλίσει στη θέση της, όπως φαίνεται στην εικόνα 3.
4. Για να αποσυναρμολογήσετε τη βούρτσα / βάση, περιστρέψτε τη βούρτσα / βάση προς τα δεξιά μέχρι να απελευθερωθεί από την πλήμνη του τροχού.



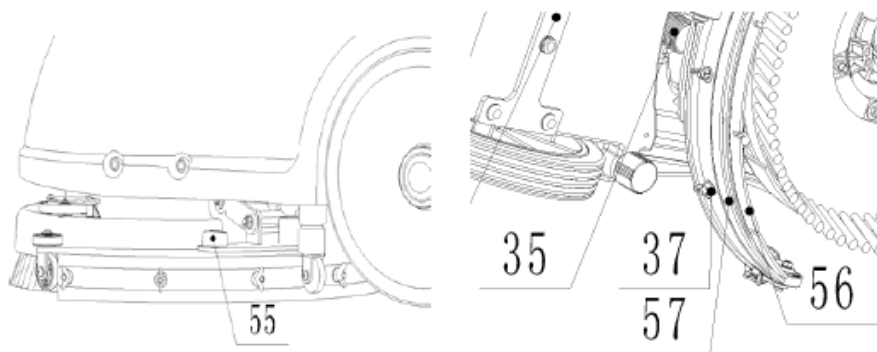
ΠΡΟΕΙΔΟΠΟΙΗΣΗ

Μην ενεργοποιείτε το μηχάνημα σ' αυτή τη θέση, όπως παρακάτω, γιατί υπάρχει περίπτωση να βγει η βούρτσα / βάση ή να προκαλέσει τραυματισμό.



Εγκατάσταση μάκτρου

1. Απενεργοποιήστε το μηχάνημα (47).
2. Τραβήξτε προς τα κάτω το μοχλό ανύψωσης του μάκτρου (26) για να τοποθετήσετε το μάκτρο σε θέση «λειτουργίας».
3. Τοποθετήστε το μηχάνημα σ' αυτή τη θέση, όπως αναφέρεται στην Εικόνα 2.
4. Χαλαρώστε τα δύο κουμπιά (55) πάνω στο μάκτρο και σύρετε το μάκτρο μέσα στις σχισμές του στηρικτικού του μηχανισμού
Σφίξτε τα κουμπιά μέχρι να ασφαλίσουν στη θέση τους (ξεβιδώστε τα κουμπιά, εάν κάνετε αποσυναρμολόγηση).
5. Για να αντικαταστήσετε το εμπρός / πίσω μάκτρο (56/57), ξεβιδώστε το περικόχλιο αντίχειρα (37).



Γέμισμα δεξαμενής καθαριστικού διαλύματος



ΣΗΜΕΙΩΣΗ

Το μηχάνημα μπορεί να γεμίζει με σολίνα ή κουβά. Μην αφαιρείτε το φίλτρο διαλύματος (21) κατά το γέμισμα.

1. Γεμίστε τη δεξαμενή διαλύματος (3) με νερό από την είσοδο (20), ή με λάστιχο ή με κουβά.
2. Μην γεμίζετε τη δεξαμενή διαλύματος τελείως, αφήστε μερικά εκατοστά από την άκρη.
3. Η θερμοκρασία του νερού δεν πρέπει να υπερβαίνει τους 40°C.



ΠΡΟΣΟΧΗ!

Χρησιμοποιείτε μόνο απορρυπαντικά με λίγο αφρό και μη-εύφλεκτα, που προορίζονται για εφαρμογές αυτόματου καθαριστή

Αποστράγγιση της δεξαμενής διαλύματος



ΣΗΜΕΙΩΣΗ

Η δεξαμενή καθαριστικού διαλύματος πρέπει να αποστραγγίζεται και να καθαρίζεται μετά από την ολοκλήρωση κάθε διαδικασίας καθαρισμού.

1. Ξεβιδώστε το καπάκι αποστράγγισης (22) στο κάτω μέρος της δεξαμενής διαλύματος. Το διάλυμα / νερό θα ρέουν ελεύθερα σε κουβά ή αποχέτευση δαπέδου.
2. Ξεπλένετε τη δεξαμενή διαλύματος με καθαρό νερό μετά από κάθε χρήση. Αυτό θα βοηθήσει να αποφευχθεί η συσσώρευση χημικών και η απόφραξη στα σωληνάκια του διαλύματος.
3. Βιδώστε το καπάκι αποστράγγισης (22).

Αποστράγγιση της δεξαμενής ανάκτησης



ΣΗΜΕΙΩΣΗ

Η δεξαμενή ανάκτησης πρέπει να αποστραγγίζεται και να καθαρίζεται μετά από την ολοκλήρωση κάθε διαδικασίας καθαρισμού.

1. Γυρίστε το μάνδαλο (17) της δεξαμενής ανάκτησης, αφαιρέστε τη δεξαμενή ανάκτησης από το μηχάνημα κρατώντας από τα δύο αυλάκια της δεξαμενής. Ανοίξτε το καπάκι (1) και αναποδογυρίστε τη δεξαμενή ανάκτησης για να αποστραγγίσετε το βρόμικο νερό σε δοχείο, ή ξεβιδώστε το καπάκι αποστράγγισης (22) για να στραγγίξει νερό από το σωλήνα σε κουβά.
2. Να καθαρίζετε και να ξεπλένετε τη δεξαμενή ανάκτησης με καθαρό νερό μετά από κάθε χρήση.
3. Επανατοποθετήστε τη δεξαμενή ανάκτησης στο μηχάνημα και περιστρέψτε το μάνδαλο (17) για να κλειδώσετε τη δεξαμενή.

ΛΕΙΤΟΥΡΓΙΑ ΜΗΧΑΝΗΜΑΤΟΣ

1. Ρυθμίστε τη λαβή σε άνετο ύψος, πιέζοντας το μοχλό (25).
2. Χαμηλώστε το μάκτρο (33) στο πάτωμα τραβώντας το μηχανισμό ανύψωσης προς τα κάτω (26).
3. Ανοίξτε τον κεντρικό διακόπτη (47).
4. Ενεργοποιήστε το διακόπτη κινητήρα της βούρτσας (48) και το διακόπτη διαλύματος (50). Η φωτεινή ένδειξη θα φωτίσει.
5. Ενεργοποιήστε το διακόπτη κινητήρα απορρόφησης (49). Η φωτεινή ένδειξη θα φωτίσει.
6. Εάν είναι απαραίτητο, ρυθμίστε τη ροή του νερού γυρίζοντας τη σφαιρική βαλβίδα (31) χειροκίνητα
7. Τραβήξτε τον ένα ή και τους δύο διακόπτες πυροδότησης λειτουργίας (24) και, στη συνέχεια η βούρτσα θ' αρχίσει να περιστρέφεται, και το διάλυμα θ' αρχίσει να ρέει. Κινήστε το μηχάνημα και αρχίστε τον καθαρισμό.

ΣΗΜΕΙΩΣΗ

Εάν η ενδεικτική λυχνία της μπαταρίας (51) είναι πράσινη, το μηχάνημα μπορεί να χρησιμοποιηθεί. Εάν είναι κίτρινη ή κόκκινη, πρέπει να φορτιστούν οι μπαταρίες.



ΠΡΟΣΟΧΗ!

Πριν σηκώσετε τη βούρτσα, απενεργοποιήστε την πατώντας το διακόπτη (47).



ΠΡΟΣΟΧΗ!

Όταν καθαρίζετε υπερβολικά δύσκολα πατώματα ή άλλα προβλήματα κάνουν το μηχάνημα να μη λειτουργεί, η ένδειξη του κινητήρα της βούρτσας και του μηχανισμού απορρόφησης στον πίνακα ελέγχου (46) αναβοσβήνουν ταυτόχρονα. Αυτό σημαίνει ότι το μηχάνημα είναι υπερφορτωμένο. Παρακαλούμε απενεργοποιήστε όλους τους διακόπτες στον πίνακα ελέγχου (46).



ΠΡΟΣΟΧΗ!

Μην χρησιμοποιείτε το μηχάνημα με άδειες μπαταρίες για να μην καταστραφούν οι μπαταρίες και μειωθεί η διάρκεια ζωής τους.

ΜΕΤΑ ΑΠΟ ΤΗ ΧΡΗΣΗ ΤΟΥ ΜΗΧΑΝΗΜΑΤΟΣ

Αφού τελειώσετε το τρίψιμο, παρακαλούμε να προβήτε στις παρακάτω ενέργειες πριν απομακρυνθείτε από το μηχάνημα:

1. Αφαιρέστε το μηχανισμό στήριξης της βούρτσας / βάσης.
2. Στεγνώστε τις δεξαμενές που είναι γεμάτες με υγρό.
3. Εκτελέστε τις καθημερινές διαδικασίες συντήρησης (βλ. κεφάλαιο ΣΥΝΤΗΡΗΣΗ).
4. Φυλάξτε το μηχάνημα σε καθαρό και στεγνό μέρος, με τη μηχανισμό στήριξης της βούρτσας / βάσης και το μάκτρο σε θέση όρθια ή να τα έχετε βγάλει από το μηχάνημα.
5. Εάν φυλάσσεται το μηχάνημα σε περιοχή που μπορεί να φτάσει σε υπερβολικά χαμηλές θερμοκρασίες, φροντίστε να αποστραγγίσετε όλα τα υγρά από το μηχάνημα πριν την αποθήκευση. Ζημιές που προκαλούνται από χαμηλές θερμοκρασίες δεν καλύπτονται από την εγγύηση.

ΜΗ ΧΡΗΣΙΜΟΠΟΙΕΙΤΕ ΤΟ ΜΗΧΑΝΗΜΑ ΓΙΑ ΜΕΓΑΛΟ ΧΡΟΝΙΚΟ ΔΙΑΣΤΗΜΑ

Εάν δεν πρόκειται να χρησιμοποιηθεί το μηχάνημα για περισσότερο από 30 ημέρες, παρακαλούμε να κάνετε τα εξής:

1. Εκτελέστε τις διαδικασίες που περιγράφονται στην παράγραφο «ΜΕΤΑ ΑΠΟ ΤΗ ΧΡΗΣΗ ΤΟΥ ΜΗΧΑΝΗΜΑΤΟΣ».
2. Αποσυνδέστε το βύσμα της μπαταρίας.

ΣΥΝΤΗΡΗΣΗ

Η διάρκεια ζωής του μηχανήματος και η μέγιστη ασφάλεια λειτουργίας του εξασφαλίζονται με σωστή και τακτική συντήρηση. Ο παρακάτω πίνακας παρέχει την προγραμματισμένη συντήρηση. Τα χρονικά διαστήματα που παρουσιάζονται μπορεί να ποικίλουν ανάλογα με τις συνθήκες εργασίας, οι οποίες καθορίζονται από τον υπεύθυνο συντήρησης.



ΠΡΟΕΙΔΟΠΟΙΗΣΗ

Οι διαδικασίες συντήρησης πρέπει να εκτελούνται με το μηχάνημα εκτός λειτουργίας και τις μπαταρίες ή το καλώδιο φορτιστή μπαταρίας αποσυνδεδεμένα. Επιπλέον, διαβάστε προσεκτικά τις οδηγίες στο κεφάλαιο Ασφάλεια.

Όλες οι προγραμματισμένες ή έκτακτες διαδικασίες συντήρησης πρέπει να εκτελούνται από εξειδικευμένο προσωπικό, ή από ένα εξουσιοδοτημένο Κέντρο Εξυπηρέτησης.

Αυτό το εγχειρίδιο περιγράφει μόνο τις πιο εύκολες και κοινές διαδικασίες συντήρησης.

Για τις λοιπές διαδικασίες συντήρησης που παρουσιάζονται στον Πίνακα προγραμματισμένης συντήρησης, ανατρέξτε στο Εγχειρίδιο Σέρβις που μπορείτε να το βρείτε σε οποιοδήποτε Κέντρο Εξυπηρέτησης.

ΠΙΝΑΚΑΣ ΠΡΟΓΡΑΜΜΑΤΙΣΜΕΝΗΣ ΣΥΝΤΗΡΗΣΗΣ

Διαδικασία	Καθημερινά, μετά τη χρήση του μηχανήματος	Μία φορά τη βδομάδα	Κάθε έξι μήνες	Μία φορά το χρόνο
Φόρτιση μπαταρίας				
Καθάρισμα μάκτρου				
Καθάρισμα βούρτσας				
Καθάρισμα της δεξαμενής και της σχάρας δεξαμενής με το φλοτέρ, έλεγχος της φλάντζας του καλύμματος				
Έλεγχος του περυγίου του μάκτρου και αντικατάσταση				
Καθάρισμα του φίλτρου διαλύματος				
Καθάρισμα του φίλτρου εξόδου νερού				
Έλεγχος σύσφιξης βιδών και παξιμαδιών			(1)	
Λιπαντικό στα περιστρεφόμενα μέρη			(1)	
Έλεγχος ή αντικατάσταση στο καρβουνάκι του μηχανισμού στήριξης βούρτσας / βάσης				(2)
Έλεγχος ή αντικατάσταση στο καρβουνάκι του κινητήρα απορρόφησης				(2)

(1) Και μετά τις πρώτες 8 ώρες εργασίας.

(2) Αυτή η διαδικασία συντήρησης πρέπει να εκτελεστεί από εξουσιοδοτημένο Κέντρο Εξυπηρέτησης της Viper.

ΦΟΡΤΙΣΗ ΤΗΣ ΜΠΑΤΑΡΙΑΣ



ΣΗΜΕΙΩΣΗ

Φορτίστε τις μπαταρίες όταν ανάψει η κίτρινη ή η κόκκινη ένδειξη (51), ή στο τέλος κάθε κύκλου λειτουργίας.



ΠΡΟΣΟΧΗ!

Διατηρώντας τις μπαταρίες φορτισμένες επιμηκύνεται ο χρόνος ζωής τους.



ΠΡΟΣΟΧΗ!

Εάν το μηχάνημα δεν είναι εξοπλισμένο με ενσωματωμένο φορτιστή μπαταρίας, επιλέξτε έναν εξωτερικό φορτιστή μπαταρίας κατάλληλο για τον τύπο των μπαταριών που έχουν εγκατασταθεί.



ΠΡΟΕΙΔΟΠΟΙΗΣΗ!

Παρακαλούμε χρησιμοποιήστε φορτιστή εγκεκριμένο από την VIPER για να φορτίσετε την μπαταρία.



ΠΡΟΕΙΔΟΠΟΙΗΣΗ!

Δώστε ιδιαίτερη προσοχή κατά τη φόρτιση μπαταριών WET γιατί μπορεί να υπάρξει διαρροή υγρών μπαταρίας. Τα υγρά μπαταρίας είναι διαβρωτικά. Εάν έρθουν σε επαφή με το δέρμα ή τα μάτια, ξεπλύνετε με άφθονο νερό και συμβουλευτείτε γιατρό.

1. Τοποθετήστε το φορτιστή και το μηχάνημα σε καλά αεριζόμενο χώρο.
2. Απενεργοποιήστε μηχάνημα (47).
3. Αφαιρέστε τη δεξαμενή ανάκτησης (2), αφήνοντας ανοικτό το τμήμα της μπαταρίας.
4. Συνδέστε το καλώδιο φόρτισης σε γειωμένη πρίζα (100V ~ 240V) . Συνδέστε το καλώδιο φόρτισης στην πρίζα του μηχανήματος.
5. Εάν ανάψει η ενδεικτική λυχνία φόρτισης (30) αυτό σημαίνει ότι φορτίζεται, το πράσινο φως σημαίνει ότι η φόρτιση της μπαταρίας έχει ολοκληρωθεί.
6. Μετά την ολοκλήρωση της φόρτισης, αποσυνδέστε πρώτα το καλώδιο φόρτισης από την πρίζα και στη συνέχεια αποσυνδέστε το από το μηχάνημα.
7. Επανατοποθετήστε τη δεξαμενή ανάκτησης.



ΣΗΜΕΙΩΣΗ

Για περισσότερες πληροφορίες σχετικά με τη λειτουργία του φορτιστή μπαταρίας (29), δείτε τη σχετική παράγραφο.

ΚΑΘΑΡΙΣΜΟΣ ΤΟΥ ΜΑΚΤΡΟΥ



ΣΗΜΕΙΩΣΗ

Το μάκτρο πρέπει να είναι καθαρό και τα πτερύγιά του πρέπει να είναι σε καλή κατάσταση, για να στεγνώσουν καλά.



ΠΡΟΣΟΧΗ!

Καλό θα είναι να φοράτε προστατευτικά γάντια όταν καθαρίζετε το μάκτρο, επειδή μπορεί να υπάρχουν αιχμηρά σκουπίδια.

ΕΛΕΓΧΟΣ ΚΑΙ ΑΝΤΙΚΑΤΑΣΤΑΣΗ ΤΩΝ ΠΤΕΡΥΓΙΩΝ ΤΟΥ ΜΑΚΤΡΟΥ

1. Αφαιρέστε το μάκτρο, όπως φαίνεται στην προηγούμενη παράγραφο.
2. Ελέγξτε εάν έχει ραγίσει το άκρο των εμπρός / πίσω πτερυγίων, κι αν χρειάζεται αντικαταστήστε τα.
3. Ξεβιδώστε το περικόχλιο αντίχειρα (37) για να βγάλετε τα πτερύγια.
4. Ελέγξτε τα εμπρός / πίσω πτερύγια για να δείτε εάν έχουν κοπεί ή σχιστεί πουθενά. Εάν δεν είναι κατάλληλα για λειτουργία, αναποδογυρίστε τα και αντικαταστήστε.
5. Τοποθετήστε το μάκτρο πίσω στη θέση του με σειρά αντίστροφη της αφαίρεσης.

ΚΑΘΑΡΙΣΜΑ ΤΟΥ ΜΗΧΑΝΙΣΜΟΥ ΣΤΗΡΙΞΗΣ ΒΟΥΡΤΣΑΣ / ΒΑΣΗΣ**ΠΡΟΣΟΧΗ!**

Καλό θα είναι να φοράτε προστατευτικά γάντια όταν καθαρίζετε τη βούρτσα / βάση, επειδή μπορεί να υπάρχουν αιχμηρά σκουπίδια.

1. Αφαιρέστε τη βούρτσα / βάση, όπως φαίνεται στο κεφάλαιο «ΧΡΗΣΗ».
2. Καθαρίστε και πλύντε τη βούρτσα / βάση με νερό και απορρυπαντικό.
3. Ελέγξτε εάν οι τρίχες της βούρτσας έχουν φθαρεί. Εάν είναι απαραίτητο, αντικαταστήστε τη βούρτσα.
4. Ελέγξτε εάν έχει φθαρεί η βάση. Εάν είναι απαραίτητο, αντικαταστήστε το μηχανισμό στήριξης της βάσης.

ΚΑΘΑΡΙΣΜΑ ΤΗΣ ΔΕΞΑΜΕΝΗΣ ΚΑΙ ΤΗΣ ΣΧΑΡΑΣ ΔΕΞΑΜΕΝΗΣ ΜΕ ΤΟ ΦΛΟΤΕΡ, ΕΛΕΓΧΟΣ ΤΗΣ ΦΛΑΝΤΖΑΣ ΤΟΥ ΚΑΛΥΜΜΑΤΟΣ**ΠΡΟΣΟΧΗ!**

Καλό θα είναι να φοράτε προστατευτικά γάντια όταν καθαρίζετε τη δεξαμενή και το μηχανισμό απορρόφησης/αναρρόφησης, επειδή μπορεί να υπάρχουν αιχμηρά σκουπίδια.

1. Μετακινήστε το μηχάνημα στον καθορισμένο χώρο διάθεσης.
2. Κλείστε τον κεντρικό διακόπτη (47).
3. Αφαιρέστε τη δεξαμενή ανάκτησης (2), καθαρίστε και ξεπλύντε τόσο τη δεξαμενή διαλύματος όσο και τη δεξαμενή ανάκτησης, και αποστραγγίστε.
4. Βγάλτε όλα τα εργαλεία του μηχανισμού απορρόφησης, τη φλάντζα και το φίλτρο, καθαρίστε και επανεγκαταστήστε.
5. Ελέγξτε εάν η φλάντζα του καλύμματος δεξαμενής και ο ελαστικός σύνδεσμος απορρόφησης (18) μεταξύ των δύο δεξαμενών είναι σε καλή κατάσταση ή όχι.

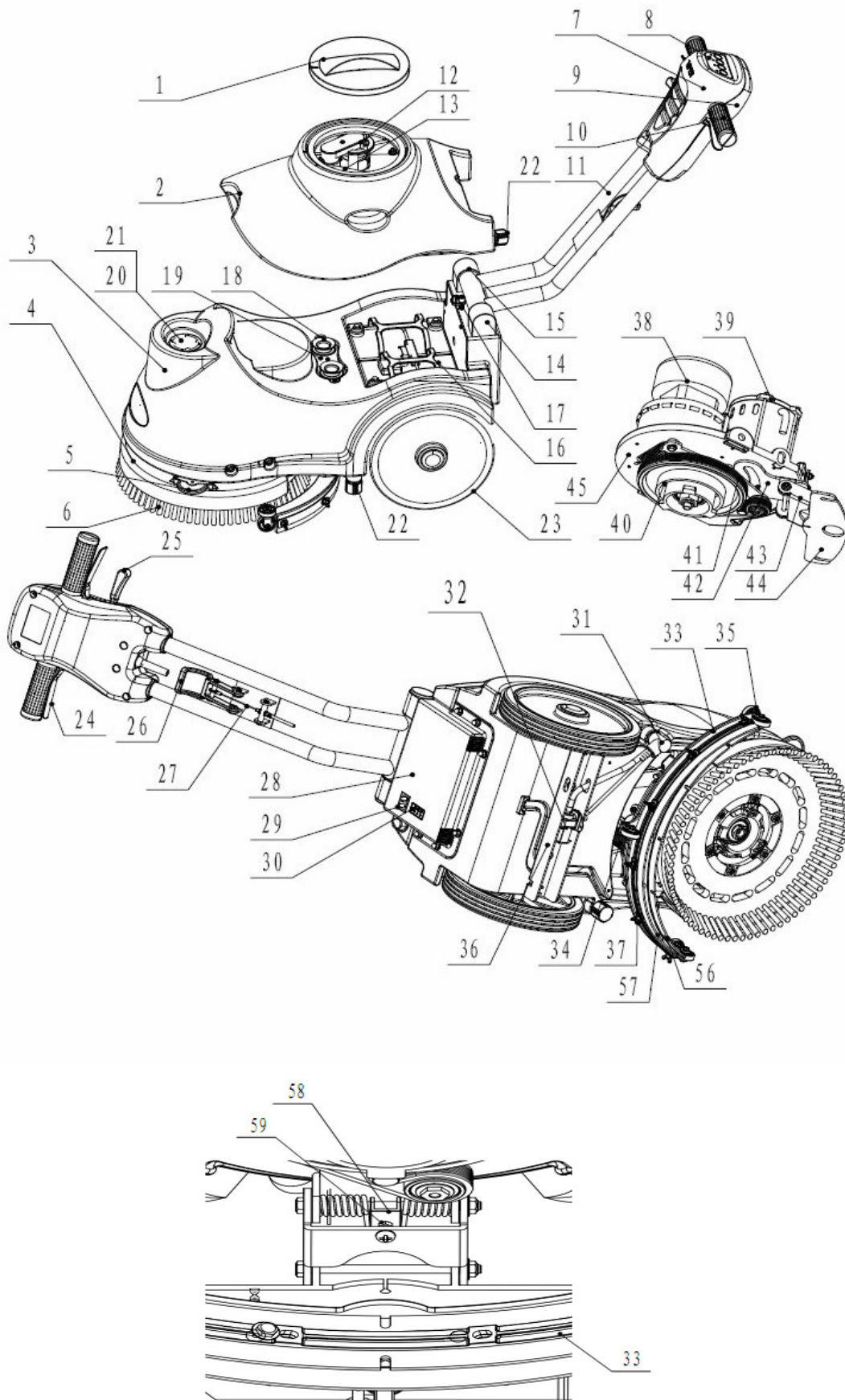
**ΣΗΜΕΙΩΣΗ**

Η φλάντζα του καλύμματος δεξαμενής και ο ελαστικός σύνδεσμος μεταξύ των δύο δεξαμενών δημιουργούν κενό στη δεξαμενή. Εάν χρειαστεί, αντικαταστήστε τα.

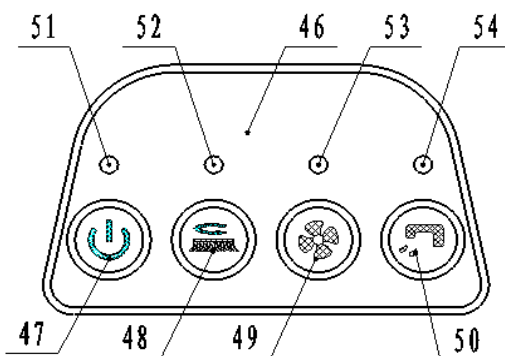
ΔΟΜΗ ΤΟΥ ΜΗΧΑΝΗΜΑΤΟΣ

1. Καπάκι της δεξαμενής ανάκτησης
2. Δεξαμενή ανάκτησης
3. Δεξαμενή καθαριστικού διαλύματος
4. Κάλυμμα της βούρτσας
5. Προστατευτικοί τροχοί
6. Βούρτσα
7. Κάλυμμα μπροστινής λαβής
8. Πίνακας ελέγχου
9. Κάλυμμα πισινης λαβής
10. Λαβή από καουτσούκ
11. Μεταλλική ράβδος της λαβής
12. Μηχανισμός μάκτρου απορρόφησης

13. Μηχανισμός μάκτρου αναρρόφησης
14. Τοποθέτηση στα αριστερά
15. Τοποθέτηση στα δεξιά
16. Μπαταρίες
17. Μάνδαλο
18. Στεγανοποιητικός δακτύλιος
19. Ένωση σωλήνα
20. Είσοδος
21. Φίλτρο διαλύματος
22. Αποστράγγιση της δεξαμενής διαλύματος
23. Τροχοί σε σταθερό άξονα
24. Λαβή για κίνηση αριστερά και δεξιά
25. Μοχλός περιστροφής της λαβής
26. Μοχλός ανύψωσης μάκτρου
27. Χορδή μάκτρου
28. Κουτί κυκλώματος
29. Φορτιστής
30. Ένδειξη φόρτισης της μπαταρίας
31. Μοχλός ελέγχου ροής του διαλύματος
32. Ζεύξη ηλεκτρομαγνητικής βαλβίδας
33. Μάκτρο
34. Σωλήνας μάκτρου
35. Τροχοί μάκτρου
36. Άξονας
37. Περικόχλιο αντίχειρα
38. Κινητήρας συστήματος απορρόφησης
39. Κινητήρας βούρτσας
40. Ιμάντας κίνησης
41. Ιμάντας
42. Πλάκα περιστροφής μάκτρου
43. Πλάκα ανύψωσης μάκτρου
44. Πλάκα στερέωσης μάκτρου
45. Πλάκα στερέωσης κινητήρα



Πίνακας ελέγχου



- 46. Πίνακας ελέγχου
- 47. Κύριος διακόπτης
- 48. Διακόπτης κινητήρα βούρτσας
- 49. Διακόπτης κινητήρα απορρόφησης
- 50. Διακόπτης ζεύξης ηλεκτρομαγνητικής βαλβίδας αναρρόφησης
- 51. Ένδειξη ηλεκτρισμού
- 52. Ένδειξη κινητήρα βούρτσας
- 53. Ένδειξη κινητήρα απορρόφησης
- 54. Ένδειξη ζεύξης ηλεκτρομαγνητικής βαλβίδας απορρόφησης

ΤΕΧΝΙΚΑ ΣΤΟΙΧΕΙΑ

Μήκος μηχανήματος X πλάτος X ύψος	770x500x550MM
Χωρητικότητα της δεξαμενής διαλύματος	15L
Χωρητικότητα της δεξαμενής ανάκτησης	15L
Διάμετρος τροχού	254MM
Στοιχεία κινητήρα βούρτσας	24V 250W
Στοιχεία κινητήρα αναρρόφησης	24V 300W
Στοιχεία ηλεκτρομαγνητικής βαλβίδας	24V
Μέγιστη κλίση	2%
Επίπεδο ήχου	68 dBA
Στοιχεία μπαταρίας	(2X12V) 24V 35Ah/20h
Μήκος καλωδίου τροφοδοσίας	/
Προδιαγραφές μπαταρίας	196 x 130 x 175mm
Ικανότητα εργασίας μέχρι	1000 mm H ₂ O
Παραγωγικότητα καθαρισμού	750m ² /hour
Πλάτος μάκτρον	490mm
Διάμετρος βούρτσας	380mm
Rpm βούρτσας	150rpm
Φορτιστής	Είσοδος 100-240 VAC, 50-60HZ Έξοδος 24Vdc, 5A
Βαρος λειτουργίας	60kg
Μικτο βαρος	65kg
Προδιαγραφές χαρτονιού	780x415x590MM

ΑΝΤΙΜΕΤΩΠΙΣΗ ΠΡΟΒΛΗΜΑΤΩΝ

Πρόβλημα	Πιθανή αιτία	Λύση
Το μηχάνημα δε λειτουργεί, η ενδεικτική λυχνία (51) δεν ανάβει.	Το βύσμα της μπαταρίας έχει αποσυνδεθεί	Συνδέστε το
	Οι μπαταρίες έχουν αποφορτιστεί εντελώς	Φορτίστε τις μπαταρίες
	Έχει αποσυνδεθεί η γραμμή τροφοδοσίας	Συνδέστε τη
Το μηχάνημα δε λειτουργεί, η ενδεικτική λυχνία (51) έχει κόκκινο χρώμα.	Οι μπαταρίες έχουν αποφορτιστεί	Φορτίστε τις μπαταρίες
Ο κινητήρας της βούρτσας δε λειτουργεί, η ενδεικτική λυχνία (52) της βούρτσας δεν ανάβει.	Έχει χαλάσει η πλακέτα	Αλλάξτε την πλακέτα
Ο κινητήρας της βούρτσας δε λειτουργεί, οι ενδεικτικές λυχνίες της βούρτσας (52) αναβοσβήνουν.	Ο κινητήρας υπερφορτώθηκε	Χρησιμοποιήστε λιγότερο σκληρές βούρτσες που να είναι κατάλληλες για το δάπεδο που πρόκειται να καθαριστεί
	Υπάρχουν ξένα υλικά (μπερδεμένες κλωστές, κ.λπ.) που εμποδίζουν την περιστροφή της βούρτσας	Καθαρίστε την πλήμη της βούρτσας
Ο κινητήρας του συστήματος απορρόφησης δε λειτουργεί, η ενδεικτική λυχνία (53) του κινητήρα απορρόφησης, δεν ανάβει.	Έχει χαλάσει η πλακέτα	Αλλάξτε την πλακέτα
Ο κινητήρας του συστήματος απορρόφησης δε λειτουργεί, η ενδεικτική λυχνία (53) της βούρτσας αναβοσβήνει.	Ο κινητήρας του συστήματος απορρόφησης έχει υπερφορτωθεί	Ελέγξτε τον κινητήρα του συστήματος απορρόφησης
Η απορρόφηση βρόμικου νερού δεν είναι επαρκής.	Η δεξαμενή ανάκτησης είναι πλήρης	Αδιάστε τη δεξαμενή ανάκτησης
	Ο σωλήνας έχει αποσυνδεθεί από το μάκτρο	Συνδέστε το σωλήνα
	Ο μηχανισμός απορρόφησης έχει φράξει	Καθαρίστε ή ελέγξτε το μηχανισμό απορρόφησης
	Το μάκτρο είναι βρόμικο ή τα πτερύγια του μάκτρου έχουν φθαρεί ή καταστραφεί	Καθαρίστε και ελέγξτε το μάκτρο
	Η δεξαμενή ανάκτησης είναι ανοικτή	Κλειδώστε το μάνδαλο (17)
	Το καπάκι της δεξαμενής δεν έχει κλείσει σωστά, ή έχει πάθει ζημιά ή φλάντζα	Κλείστε σωστά το καπάκι ή αντικαταστήστε τη φλάντζα
	Το εξάρτημα προσαρμογής του μάκτρου (58) δεν έχει τοποθετηθεί σωστά.	Ρυθμίστε το παξιμάδι (59) σε σωστή θέση
Η ροή καθαριστικού διαλύματος είναι ανεπαρκής.	Το διάλυμα έχει αδιάσει	Γεμίστε το

ΕΓΧΕΙΡΙΔΙΟ ΧΡΗΣΤΗ

	Η βαλβίδα ελέγχου ροής (31) του διαλύματος έχει μπλοκάρει.	Καθαρίστε τη βαλβίδα
	Το διάλυμα έχει βρομίσει	Καθαρίστε το διάλυμα
Το μάκτρο αφήνει σημάδια στο πάτωμα.	Υπάρχουν σκουπίδια κάτω από τα πτερύγια του μάκτρου	Αφαιρέστε τα σκουπίδια
	Τα πτερύγια του μάκτρου έχουν φθαρεί, σπάσει ή σχιστεί	Αντικαταστήστε τα πτερύγια

BEZPEČNOSTNÍ OPATŘENÍ

Toto stroj je určeno pro komerční použití. Je navrženo pro použití ve vnitřních prostorech a není určeno pro jiné použití. Používejte pouze s doporučeným příslušenstvím.

Všichni uživatelé by si měli přečíst, porozumět a vyzkoušet následující bezpečnostní opatření:

1) NEOBSLUHUJTE STROJ:

Pokud s ním nemáte zkušenosti a oprávnění k použití.

Pokud jste si nepřečetli, nebo pokud nerozumíte uživatelskému manuálu.

V hořlavých nebo výbušných prostorech.

Pokud není v náležitém provozním stavu.

Ve venkovních prostorech.

2) PŘED POUŽITÍM STROJ:

Ujistěte se, že jsou všechna bezpečnostní stroj na místě a řádně s nimi nakládejte.

3) PŘI POUŽITÍ STROJ:

Na nakloněných a kluzkých plochách jezděte pomalu.

Dodržujte všechny bezpečnostní pokyny.

Při použití stroj na zpětný pohon buďte velmi opatrní.

Před použitím stroj nahlaste a opravte jakékoliv poruchy.

4) PŘED USKLADNĚNÍM NEBO ÚDRŽBOU STROJ:

Zastavte stroj na zemi.

Vypněte stroj.

5) PŘI OBSLUZE STROJ:

Před obsluhou nebo údržbou tohoto stroj si důkladně přečtete uživatelský manuál.

Použijte náhradní součástky dodávané nebo schválené výrobcem.

Před zvednutím stroj nahoru zajistěte kola.

Pro zvednutí stroj používejte schválený zvedák.

PŘI ÚDRŽBĚ STROJ:

Před údržbou stroj odpojte baterie.

Při nakládání s bateriemi nebo jejich kabely používejte rukavice.

Vyvarujte se kontaktu s kyselinou baterií.

Vyhňte se pohyblivým částem. Při obsluze stroj nenoste žádné volné oblečení.

**VAROVÁNÍ!**

Baterie vydávají vodíkový plyn, který může vyvolat explozi nebo požár. Držte stroj mimo dosah jisker a otevřeného ohně! Při nabíjení baterie ponechte kapotu otevřenou.

**VAROVÁNÍ!**

Hořlavé materiály mohou způsobit výbuch nebo požár. V nádržích nepoužívejte žádné hořlavé materiály.



VAROVÁNÍ!

Hořlavé materiály nebo reaktivní kovy mohou způsobit výbuch nebo požár. Nepoužívejte je.

NASTAVENÍ & MONTÁŽ STROJ

VYBALENÍ STROJ

Zkontrolujte, zda není obal stroj poškozen. Jakékoliv poškození nahlaste přepravci. Zkontrolujte, zda zásilka se strojem obsahuje následující položky:

1. Stroj
2. Baterie (x2)
3. Sací tryska
4. Uživatelský manuál zametacího stroje
5. Manuál pro nabíjení baterií (pokud je součástí dodávky)
6. Spojovací kabel pro baterii a nabíječku (pokud je součástí dodávky)
7. Talíř s kartáčem nebo hnací talíř na podložku (pokud je součástí dodávky)

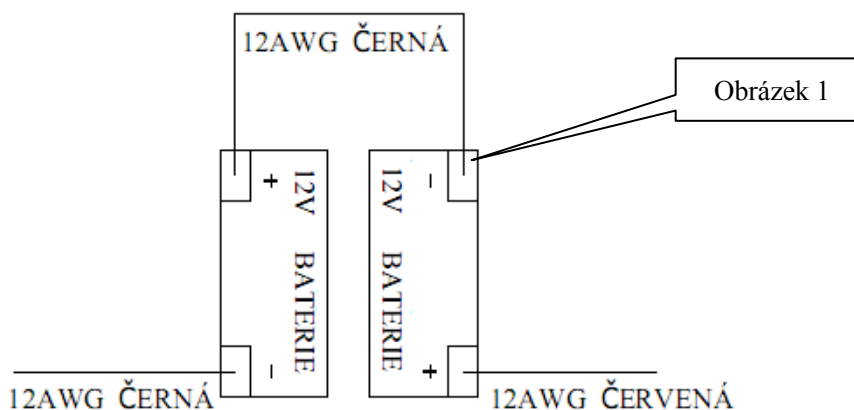
ODPOJENÍ BATERIÍ A INSTALACE

1. Vypněte hlavní spínač (47).
2. Vyjměte nádrž na obnovu vody (2), jak je ukázáno v příslušném odstavci.
3. Odšroubujte z baterií čep (16), poté vyjměte nebo vyměňte.
4. Nainstalujte baterie stroj podle níže uvedeného schématu.
5. Nainstalujte nádrž na obnovu vody.



VAROVÁNÍ

Při odpojení nebo instalaci baterií nespojujte⁺ k+, nebo -k-. Je to velmi nebezpečné.



Nabíjení baterií

Nabíjte baterie (viz postup v odstavci Údržba).

NASTAVENÍ STROJ

Kontrola před spuštěním

1. Zameťte prostor, který se má čistit.
2. Zkontrolujte, že je sací tryska správně nainstalována.

3. Snížte sací trysku (33) pomocí páčky (26).
4. Zkontrolujte, že jsou baterie plně nabité. (viz NABÍJENÍ BATERIÍ)
5. Zkontrolujte, že jsou kartáč/podložka správně nainstalovány.

Montáž a demontáž talíře s kartáčem/hnacího talíře na podložku



POZNÁMKA

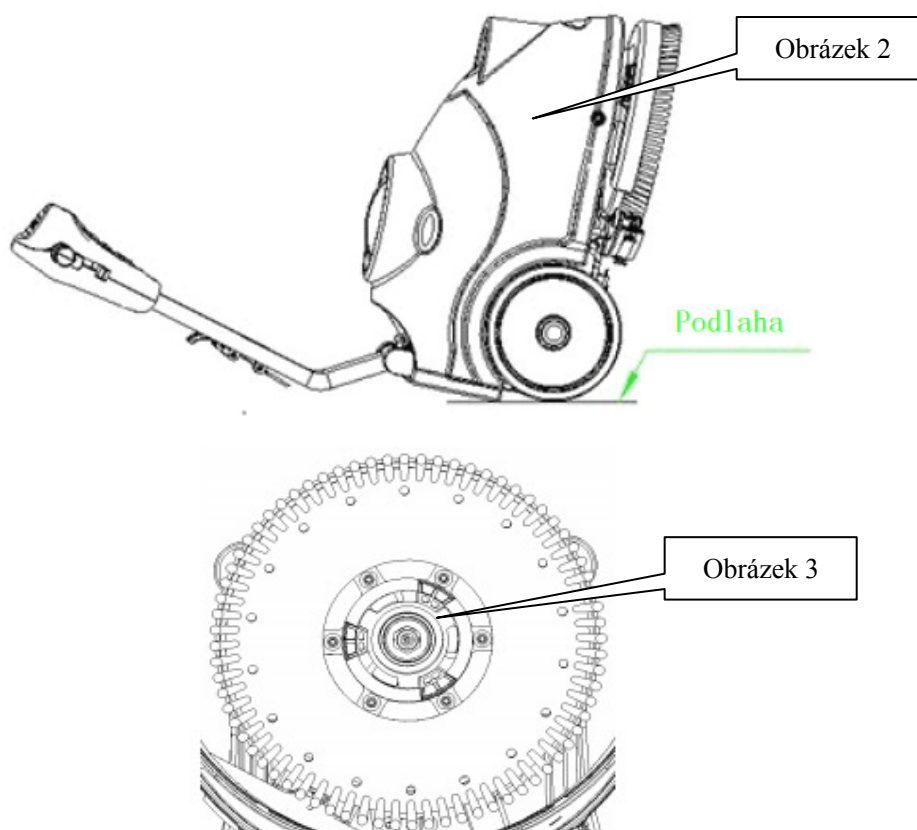
Instalujte pouze ručně. Při autoinstalaci je na stroj jednotka s kartáčem. Před demontáží kartáče se ujistěte, že jsou nádrže prázdné.

1. Vypněte stroj.
2. Položte stroj do pozice uvedené na obrázku 2, zvedněte páčku (26), kterou zvednete sací trysku (33).
3. Namontujte kartáč nebo podložku na jednotku řídicího kola a pak otočte proti směru hodinových ručiček, až zapadne na místo, jak je uvedeno na obrázku 3.
4. Pro demontáž kartáče/podložky otočte kartáčem/podložkou ve směru hodinových ručiček, dokud se z jednotky řídicího kola neuvolní.



VAROVÁNÍ

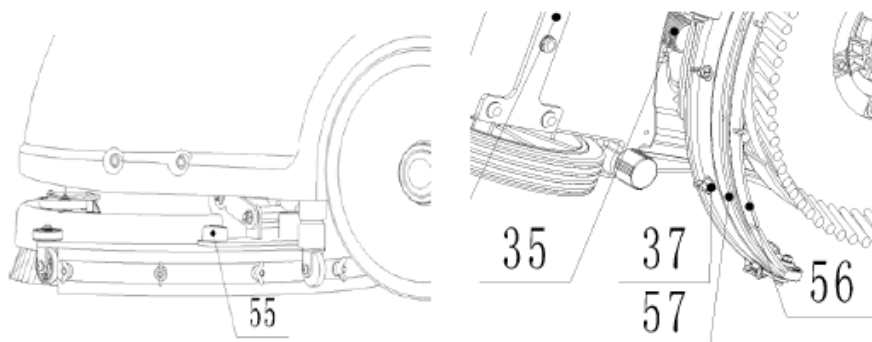
Stroj nezapínejte v pozici uvedené níže. Kartáč/podložka by mohly vypadnout a způsobit zranění.



Montáž sací trysky

1. Vypněte stroj (47).
2. Sklopte páčku sací trysky (26), čímž trysku snížíte do „provozní“ pozice.

3. Položte stroj do pozice uvedené na obrázku 2.
4. Uvolněte obě rukojeti (55) na sací trysce a zasuňte trysku do drážek.
Pevně rukojeti utáhněte (při demontáži je odšroubujte).
5. Při výměně přední/zadní trysky (56/57) odšroubujte křídlovou matici (37).



Plnění nádrže čisticího prostředku



POZNÁMKA

Stroj lze plnit hadicí nebo kbelíkem. Při plnění neodstraňujte filtr nádrže čisticího prostředku (21).

1. Naplňte nádrž čisticího prostředek vodou (3) plnicím otvorem (20) pomocí hadice nebo kbelíku.
2. Nádrž neplňte až po okraj, nechte pár centimetrů od okraje.
3. Teplota vody nesmí přesáhnout 40°.



POZOR!

Používejte pouze nízce pěnicí a nehořlavé přípravky určené pro použití u automatických čističů.

Vyprázdnění nádrže čisticího prostředku



POZNÁMKA

Po každém čištění byste měli nádrž čisticího prostředku vyprázdnit a vyčistit.

1. Odšroubujte uzavírací ventil (22) na spodní straně nádrže. Čisticí prostředek/voda bude volně odtékat do kbelíku nebo výpusti.
2. Po každém použití vypláchněte nádrž čisticího prostředku čistou vodou. Tím zabráníte usazování chemikálií.
3. Našroubujte zpátky uzavírací ventil (22).

Vyprázdnění nádrže na obnovu vody



POZNÁMKA

Po každém čištění byste měli nádrž na obnovu vody vyprázdnit a vyčistit.

1. Vyjměte záklopku (17) z nádrže na obnovu vody, vyndejte nádrž ze stroj uchopením dvou drážek nádrže. Otevřete víko (1) a překlote nádrž pro vypuštění špinavé vody do nádoby nebo odšroubujte uzavírací ventil (22), aby mohla voda vytéct do kbelíku.
2. Po každém použití vypláchněte nádrž na obnovu vody čistou vodou.
3. Vraťte nádrž na místo na stroj a otočte záklopku (17), čímž nádrž upevníte.

OBSLUHA STROJ

1. Nastavte vodicí rukojeti na vhodnou výšku stisknutím (25).
2. Spusťte sací trysku (33) na podlahu stisknutím spínače (26).
3. Zapněte hlavní spínač (47).
4. Zapněte spínač motoru kartáče (48) a spínač čistícího prostředku (50), rozsvítí se kontrolka.
5. Zapněte spínač motoru sání (49), rozsvítí se kontrolka.
6. Pokud je to nutné, nastavte dávkování vody ručním otočením kulového uzávěru (31).
7. Zatahněte za jeden nebo oba ovládací spínače (24), a poté se kartáč začne otáčet a čistící prostředek začne dávkovat. Pohybujte se strojem a začněte s čištěním.

POZNÁMKA

Pokud je kontrolka baterií zelená (51), stroj funguje normálně. Pokud svítí žlutá nebo červená kontrolka, je třeba baterie nabít.



POZOR!

Před zvednutím kartáče ho vypněte stisknutím spínače (47).



POZOR!

Při čištění agresivních podlah a podobných povrchů nemusí stroj fungovat normálně, kontrolky motoru kartáče a sání na ovládacím panelu (46) svítí obě zároveň. To znamená, že stroj je přetížen.

Prosím vypněte všechny spínače na ovládacím panelu (46).



POZOR!

Stroj nepoužívejte s vybitými bateriemi, aby nedošlo k jejich poškození a zkrácení životnosti.

PO POUŽITÍ STROJ

Po čištění prosím proveďte následující, ještě než stroj odstavíte:

1. Vyjměte držák kartáče/podložky.
2. Vysušte nádrže od tekutin.
3. Proveďte denní úkony údržby (viz odstavec údržby)
4. Uchovejte stroj na čisté a suché místo, s držákem kartáče/podložky a se zvednutou nebo odstraněnou sací tryskou.
5. Při skladování na místě, kde by mohlo mrznout, se ujistěte, že před uskladněním nejsou v nádrži žádné tekutiny. Jakékoliv poškození vlivem mrazu není pokryto zárukou.

PŘI NEPOUŽÍVÁNÍ STROJ NA DELŠÍ DOBU

Pokud stroj nebudete používat po dobu delší než 30 dní, proveďte prosím následující:

1. Proveďte úkony popsané v části 'Po použití stroj'.
2. Odpojte přípojku baterie.

ÚDRŽBA

Životnost stroj a jeho maximální provozní bezpečnost závisí na správné a pravidelné údržbě. Následující tabulka ukazuje doporučené úkony údržby. Uvedené intervaly se mohou lišit podle specifických provozních podmínek, které určí osoba zodpovědná za údržbu.



VAROVÁNÍ

Úkony údržby je třeba provádět s vypnutým strojem a s odpojeným napájecím kabelem baterií. Pozorně si přečtěte instrukce v oddíle Bezpečnostní opatření.

Všechny plánované nebo výjimečné úkony údržby musí být prováděny kvalifikovaným personálem nebo autorizovaným servisním střediskem. Tento manuál popisuje pouze snazší a nejběžnější úkony údržby.

Pro ostatní úkony údržby uvedené v tabulce plánované údržby se poraďte se servisním střediskem. Manuál lze konzultovat v jakémkoliv servisním středisku.

TABULKA PLÁNOVANÉ ÚDRŽBY

Proces	Denně, po použití stroj	Týdně	Každých šest měsíců	Ročně
Výměna baterií				
Čištění sací trysky				
Čištění kartáče				
Čištění nádrže a mřížky s plovákem, kontrola těsnění krytu				
Kontrola a výměna stíracího listu				
Čištění filtru nádrže s čisticím prostředkem				
Čištění filtru na vypouštění vody				
Kontrola upevnění šroubu a matky			(1)	
Promazání rotačních částí			(1)	
Kontrola nebo výměn motorového uhlíkového kartáče držáku talíře/podložky				(2)
Kontrola nebo výměna motorového uhlíkového kartáče sacího systému				(2)

(1) A po prvních 8 hodinách obsluhy.

(2) Tento proces údržby musí být prováděn autorizovaným servisním střediskem Viper.

NABÍJENÍ BATERIÍ



POZNÁMKA

Nabíjte baterie, pokud svítí žlutá nebo červená kontrolka (51) nebo na konci každého pracovního cyklu.



POZOR!

Udržováním plně nabitých baterií prodloužíte jejich životnost.



POZOR!

Pokud stroj není vybaveno nabíječkou baterií, zvolte externí nabíječku baterií vhodnou pro daný typ instalovaných baterií.



VAROVÁNÍ!

Pro nabíjení baterie použijte prosím nabíječku schválenou společností Viper.



VAROVÁNÍ!

Při nabíjení kapalných baterií buďte opatrní, mohlo by dojít k úniku elektrolytu z baterií. Elektrolyt baterie je korozivní. Pokud přijde do kontaktu s kůží nebo očima, důkladně vypláchněte vodou a zkontaktujte lékaře.

1. Umístěte nabíječku a stroj na dobře větrané místo.
2. Vypněte stroj (47).
3. Vyjměte nádrž na obnovu vody (2), tím se otevře bateriový prostor.
4. Napájecí kabel zapojte do uzemněné zásuvky (100v~240v).
Připojte napájecí kabel k stroji.
5. Kontrolka nabíjení se rozsvítí (30), což znamená, že baterie nabíjí, zelená kontrolka znamená, že nabíjení baterií bylo dokončeno.
6. Po nabití baterie nejdříve odpojte napájecí kabel ze zásuvky a poté ho odpojte od stroje.
7. Nádrž na obnovu vody vložte zpátky do stroje.



POZNÁMKA

Pro více informací o nabíječce baterií (29) si přečtěte příslušný odstavec.

ČIŠTĚNÍ SACÍ TRYSKY



POZNÁMKA

Sací tryska musí být čistá a její listy musí být v dobrém stavu, aby správně sušila.



POZOR!

Při čištění sací trysky se doporučuje nosit ochranné rukavice, protože byste se mohli pořezat o ostré hrany.

KONTROLA A VÝMĚNA LISTU STĚRKY

1. Vyjměte sací trysku, jak je ukázáno v předchozím odstavci.
2. Zkontrolujte, zda nejsou hrany přední/zadní chlopně poškozené. Pokud je to nutné, vyměňte je za nové.
3. Odšroubujte šest matic (37), tím listy vyndáte.
4. Zkontrolujte přední/zadní chlopně, jestli v nich nejsou trhliny nebo zářezy. V případě potřeby je otočte nebo vyměňte.
5. Namontujte sací trysku podle postupu pro demontáž, ale kroky provádějte v opačném pořadí.

ČIŠTĚNÍ TALÍŘE S KARTÁČEM/HNACÍHO TALÍŘE

NA PODLOŽKU



POZOR!

Při čištění kartáče/podložky se doporučuje nosit ochranné rukavice, protože byste se mohli pořezat o ostré hrany.

1. Odstraňte kartáč/podložku, jak je uvedeno v kapitole Obsluha.
2. Vyčistěte a omyjte kartáč/podložku vodou a čisticím prostředkem.
3. Zkontrolujte, zda není kartáč porušen nebo opotřebován; v případě potřeby ho vyměňte.

4. Zkontrolujte, zda není podložka porušena nebo opotřebována; v případě potřeby ji vyměňte.

ČIŠTĚNÍ MŘÍŽKY, NÁDRŽE/VYSÁVÁNÍ S PLOVÁKEM A KONTROLA TĚSNĚNÍ KRYTU



POZOR!

Při čištění mechanismu vysávání/sání se doporučuje nosit ochranné rukavice, protože byste se mohli pořezat o ostré hrany.

1. Přesuňte stroj na místo určené k čištění.
2. Vypněte hlavní spínač (47).
3. Vyjměte nádrž na obnovu vody (2), vyčistěte a vypláchněte nádrž čisticího prostředku/nádrž na obnovu vody a vyprázdněte ji.
4. Vyndejte veškerou výbavu, těsnění, filtr, vyčistěte je a vraťte je zpátky.
5. Zkontrolujte, zda není těsnicí kroužek na víku nádrže na obnovu vody a gumový konektor (18) mezi dvěma nádržemi poškozen.



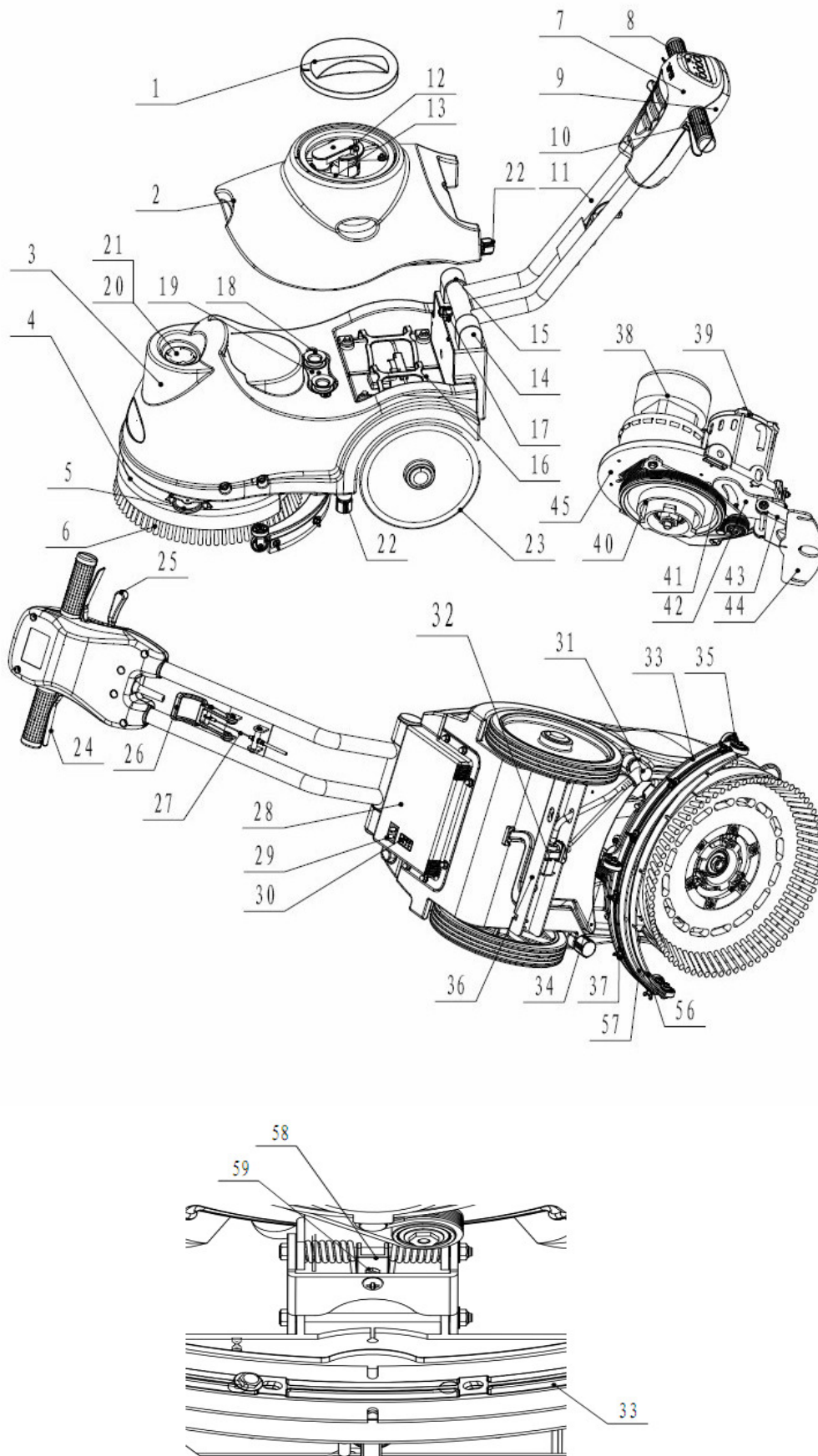
POZNÁMKA

Těsnicí kroužek nádrže na obnovu vody a gumový konektor mezi dvěma nádržemi vytváří v nádrži podtlak. Pokud je to nutné, vyměňte je.

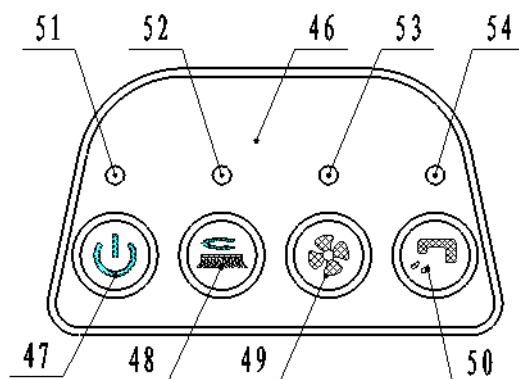
POPIS STROJ

1. Víko nádrže na obnovu vody
2. Nádrž na obnovu vody
3. Nádrž čisticího prostředku
4. Krytka kartáčů
5. Ochranná kolečka
6. Kartáč
7. Plášť přední rukojeti
8. Ovládací panel
9. Plášť zadní rukojeti
10. Pryž rukojeti
11. Železná trubka rukojeti
12. Mechanismus vysávání sací trysky
13. Mechanismus sání sací trysky
14. Nastavení doleva
15. Nastavení doprava
16. Baterie
17. Záklopka
18. Gumové těsnění
19. Spoj hadičky ukazující hladinu
20. Plnicí otvor
21. Filtr nádrže čisticího prostředku
22. Výpusť nádrže čisticího prostředku
23. Kolečka na pevné nápravě
24. Rukojeť pro ovládání směru doleva a doprava

25. Rukojeť pro ovládání otočení
26. Páčka pro zvednutí sací trysky
27. Lanko sací trysky
28. Rozvodná skříňka
29. Nabíječka
30. Kontrolka nabíjení baterie
31. Ovládací páčka pro dávkování čisticího prostředku
32. Údaje o elektromagnetickém ventilu
33. Sací tryska
34. Hadička sací trysky
35. Kolečka sací trysky
36. Náprava
37. Křídlová matice
38. Motor systému sání
39. Motor kartáče
40. Hnací řemen
41. Řemen
42. Rotační deska sací trysky
43. Zvedací deska sací trysky
44. Upínací deska sací trysky
45. Upínací deska motoru



Ovládací panel



- 46. Ovládací panel
- 47. Hlavní spínač
- 48. Spínač motoru kartáče
- 49. Spínač motoru sání
- 50. Spínač elektromagnetického ventilu sání
- 51. Kontrolka elektrického množství
- 52. Kontrolka motoru kartáče
- 53. Kontrolka motoru sání
- 54. Kontrolka elektromagnetického ventilu sání

TECHNICKÉ ÚDAJE

Délka*šířka*výška stroj	770x500x550mm
Kapacita nádrže s čisticím prostředkem	15L
Kapacita nádrže na čistou vodu	15L
Průměr kol	254mm
Údaje o motoru kartáče	24V 250W
Údaje o motoru sání	24V 300W
Údaje o elektromagnetickém ventilu	24V
Maximální sklon	2%
Úroveň hluku	68 dBA
Údaje o bateriích	(2X12V) 24V 35Ah/20h
Délka napájecího kabelu	/
Specifikace baterií	196 x 130 x 175mm
Maximální pracovní kapacita	1000 mm H ₂ O
Efektivnost čištění	750m ² /h
Šířka sací trysky	490mm
Průměr kartáče	380mm
Otáčky kartáče	150 ot./min.
Nabíječka	Vstup 100-240 Napětí, 50-60Hz Výstup 24VDC, 5A
Provozní hmotnost	60kg
Hrubá hmotnost	65kg
Specifikace obalu	780x415x590MM

ŘEŠENÍ PROBLÉMŮ

Problém	Možná příčina	Řešení
Stroj nefunguje, světelná kontrolka (51) nesvítí	Konektor baterie je odpojen	Připojte konektor
	Baterie jsou vybité	Nabijte baterie
	Napájení je odpojeno	Připojte
Stroj nefunguje, kontrolka (51) svítí červeně	Baterie jsou vybité	Nabijte baterie
Motor kartáče nefunguje, kontrolka kartáče (52) nesvítí	Deska plošných spojů nebo klávesnice jsou poškozeny	Vyměňte desku plošných spojů nebo klávesnici
Motor kartáče nefunguje, kontrolka kartáče (52) bliká	Motor je přetížen	Použijte méně agresivní kartáče vhodné pro čištění daného povrchu
	Rotaci kartáčů brání cizí materiály (zamotané nitě, atd.)	Vyčistěte kartáč
Motor systému vysávání nefunguje, kontrolka motoru (53) nesvítí	Deska plošných spojů nebo klávesnice jsou poškozeny	Vyměňte desku plošných spojů nebo klávesnici
Motor systému vysávání nefunguje, kontrolka motoru (53) bliká	Motor vysávání je přetížen	Zkontrolujte motor systému vysávání
Špatný sací výkon	Nádrž na obnovu vody je plná	Vyprázdněte nádrž na obnovu vody
	Hadice je odpojena od trysky	Připojte ji
	Sací tryska je ucpaná	Vyčistěte ji nebo ji zkontrolujte
	Tryska je zanesená nebo jsou sací chlopně opotřebené či poškozené	Vyčistěte a zkontrolujte trysku
	Nádoba na obnovu vody je uvolněná	Uzavřete záklopku (17)
	Víko není pořádně zavřené, nebo je poškozené těsnění	Zavřete lépe víko nebo vyměňte těsnění
	Komponent pro nastavení stírací lišty (58) není nastaven do vhodné pozice	Upravte matici (59) do vhodné pozice
Nízký nebo žádný přívod čisticího prostředku	Nádrž je prázdná	Naplňte vodou
	Kontrolní ventil pro dávkování prostředku (31) je ucpaný	Vyčistěte ventil
	Nádrž je zanesená	Vyčistěte
Po sací trysce zůstávají na podlaze pruhy	Chlopně sací trysky jsou zanesené	Odstraňte znečištění
	Chlopně sací trysky jsou opotřebené nebo poškozené.	Vyměňte chlopně

BEZPEČNOSTNÉ OPATRENIA

Tento stroj je určený pre komerčné použitie. Je navrhnutý pre použitie vo vnútorných priestoroch a nie je určený pre iné použitie. Používajte iba s doporučeným príslušenstvom.

Všetci používatelia by si mali prečítať, porozumieť a vyskúšať nasledujúce bezpečnostné opatrenia:

1) NEOBSLUHUJTE STROJ:

Ak s ním nemáte skúsenosti a oprávnenie na použitie.

Ak ste si neprečítali, alebo ak nerozumiete návod na použitie.

V horľavých alebo výbušných priestoroch.

Ak nie je v náležitom prevádzkyschopnom stave.

Vo vonkajších priestoroch.

2) PRED POUŽITÍM STROJA:

Uistite sa, že sú všetky bezpečnostné prvky sú na mieste a riadne fungujú.

3) PRI POUŽITÍ STROJA:

Na naklonených a klzkých plochách jazdite pomaly.

Dodržujte všetky bezpečnostné pokyny.

Pri použití stroja na spätný pohon buďte veľmi opatrní.

Pred použitím stroja nahláste a opravte akékoľvek poruchy.

4) PRED USKLADNENÍM ALEBO ÚDRŽBOU STROJA:

Zastavte stroj na rovnom povrchu.

Vypnete stroj.

5) PRI OBSLUZE STROJA:

Pred obsluhou alebo údržbou tohto stroja si dôkladne prečítajte užívateľský manuál.

Použite náhradné súčiastky dodávané alebo schválené výrobcom.

Pred zdvihnutím stroja hore, zaistite kolesá.

Pre zdvihnutie stroja používajte schválený zdvihák.

PRI ÚDRŽBE STROJA:

Odpojte napájací kábel.

Vyhňte sa kontaktu s žieravými kvapalinami.

Vyhňte sa pohyblivým častiam. Pri obsluhu stroj nenoste žiadne voľné oblečenie.

**VAROVANIE !**

Batérie vydávajú vodíkový plyn, ktorý môže vyvolať explóziu alebo požiar. Držte stroj mimo dosah iskier a otvoreného ohňa! Pri nabíjaní batérie nechajte kapotu otvorenú.

**VAROVANIE !**

Horľavé materiály môžu spôsobiť výbuch alebo požiar. V nádržiach nepoužívajte žiadne horľavé materiály.

**VAROVANIE !**

Horľavé materiály alebo reaktívne kovy môžu spôsobiť výbuch alebo požiar. Nepoužívajte ich.

NASTAVENIE & MONTÁŽ STROJA

NÁVOD NA POUŽITIE

VYBALENIE STROJA

Skontrolujte, či nie je obal stroja poškodený. Akékoľvek poškodenie nahláste prepravcovi. Skontrolujte, či zásielka so strojom obsahuje nasledujúce položky:

1. Stroj
2. Batérie (2x)
3. Stieraciu lištu
4. Návod na použitie umývacieho stroja
5. Manuál pre nabíjanie batérií
6. Prepojovací kábel pre batériu a nabíjačku (ak je súčasťou dodávky)
7. Unášač kefy alebo padu (ak je súčasťou dodávky)

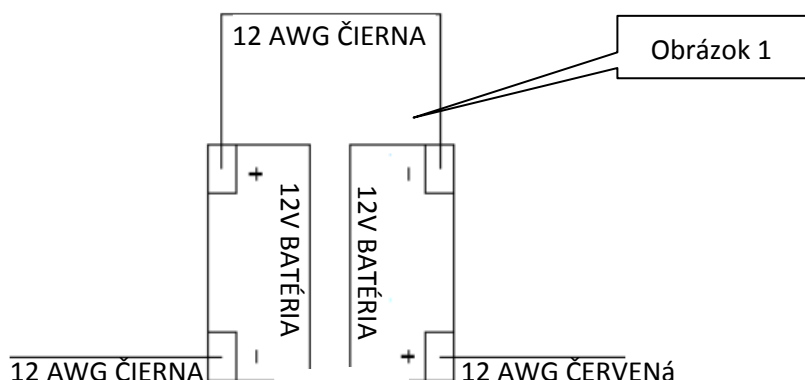
ODPOJENIE BATERÍ A INŠTALÁCIA

1. Vypnite hlavný spínač (47).
2. Vyberte nádrž na použitú vodu (2), ako je ukázané v príslušnom odseku.
3. Odskrutkujte z batérií čap (16), potom vyberte alebo vymeňte.
4. Nainštalujte batérie do stroja podľa nižšie uvedenej schémy.
5. Nainštalujte nádrž na použitú vodu.



VAROVANIE !

Pri odpojení alebo inštalácii batérií nespájajte + k +, alebo - k -. Je to veľmi nebezpečné.



Nabíjanie batérií

Nabite batérie (viď postup v odseku Ú)

NASTAVENIE STROJA

Kontrola pred spustením

1. Zameňte priestor, ktorý sa má čistiť.
2. Skontrolujte, či je sacia lišta správne nainštalovaná.
3. Znížte saciu lištu (33) pomocou páčky (26).
4. Uistite sa, že je pripojovací kábel pripojený k zodpovedajúcemu zdroju napätia.
5. Skontrolujte, že sú kefa/pad správne nainštalované.

Montáž a demontáž taniera s kefou/padom



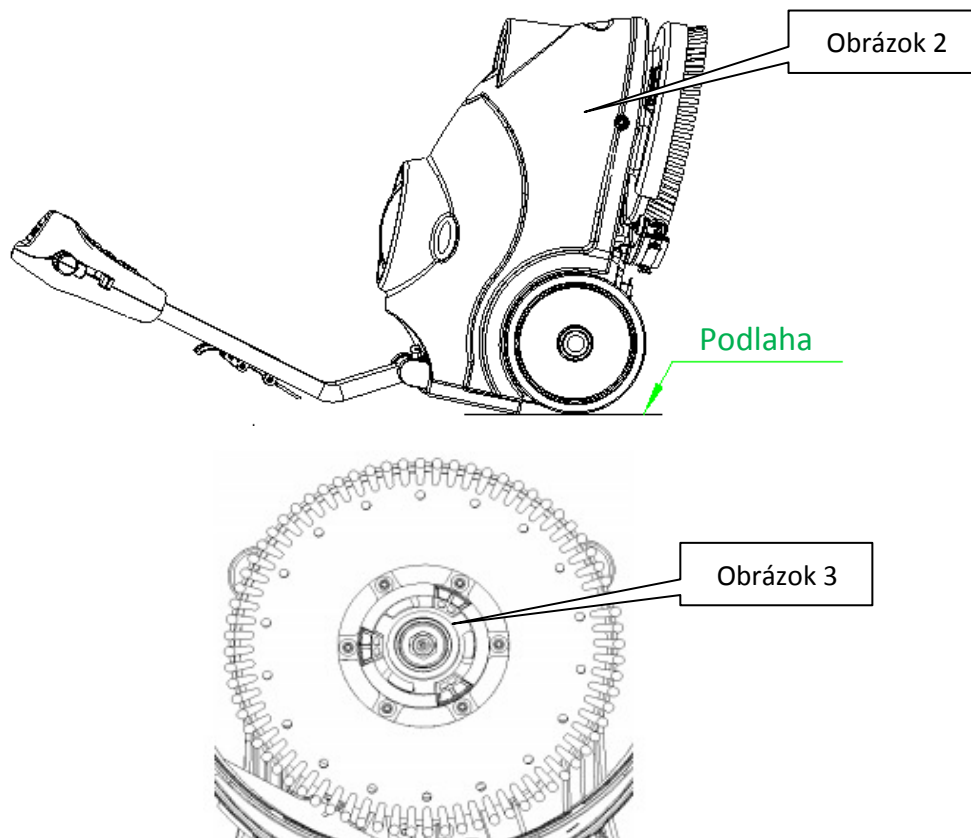
POZNÁMKA

Inštalujte iba ručne. Pri automatickej inštalácii bude nosičom kefy čap. Pred demontážou kefy sa uistite, že sú nádrže prázdne.

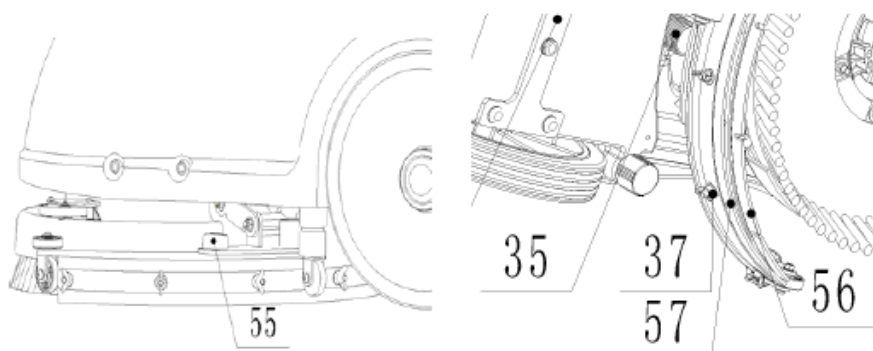
1. Vypnite stroj.
2. Položte stroj do pozície uvedenej na obrázku 2, zdvihnite páčku (26), ktorou zdvihnete saciu lištu (33).
3. Namontujte kefu alebo unášač na jednotku riadiaceho kola a potom otočte proti smeru hodinových ručičiek, až zapadne na miesto, ako je uvedené na obrázku 3.
4. Pre demontáž kefy/unášača otočte kefou/unášačom v smere hodinových ručičiek, kým sa z jednotky riadiaceho kola neuvolíni.

**VAROVANIE**

Stroj nezapínajte v pozícií uvedenej nižšie. Keď/unášač by mohli vypadnúť a spôsobiť zranenie.

**Montáž sacej lišty**

1. Odpojte pripojovací kábel (16).
2. Sklopte páčku sacej lišty (26), čím lištu znížite do „pracovnej“ pozície.
3. Položte stroj do pozície uvedenej na obrázku 2.
4. Uvoľnite oba gombíky (55) na sacej lište a zasuňte lištu do drážok.
Pevne utiahnite skrutky (pri demontáži je odskrutkujte).
5. Pri výmene prednej/zadnej stierky (56/57) odskrutkujte krídlovú maticu (37).

**Plnenie nádrže čistiaceho prostriedku****POZNÁMKA**

Stroj je možné plniť hadicou alebo vedrom. Pri plnení neodstraňujte filter nádrže čistiaceho prostriedku (21).

1. Naplňte vodou nádrž na roztok (3) plniacim otvorom (20) pomocou hadice alebo vedrom.
2. Nádrž neplňte až po okraj, nechajte pár centimetrov od okraja.
3. Teplota vody nesmie presiahnuť 40°.

**POZOR!**

Používajte iba nízko peniaci a nehorľavé prípravky, určené pre použitie v umývacích automatoch.

NÁVOD NA POUŽITIE

Vyprázdení nádrže na roztok



POZNÁMKA

Po každom čistení by ste mali nádrž na roztok vyprázdniť a vyčistiť.

1. Odskrutkujte uzatvárací ventil (22) na spodnej strane nádrže. Čistiaci prostriedok/voda bude voľne odtekať do vedra alebo výpuste.
2. Po každom použití vypláchnite nádrž na čistiaci roztok čistou vodou. Tím zabránite usadzovaniu chemikálií.
3. Naskrutkujte späť uzatvárací ventil (22).

Vyprázdenie nádrže na znečistenú vodu



POZNÁMKA

Po každom čistení by ste mali nádrž na znečistenú vodu vyprázdniť a vyčistiť.

1. Vyberte záklopku (17) z nádrže na znečistenú vody, vyberte nádrž zo stroja uchopením dvoch drážok nádrže. Otvorte veko (1) a preklopte nádrž pre vypustenie špinavej vody do nádoby alebo odskrutkujte uzatvárací ventil (22), aby mohla voda vytiecť do vedra.
2. Po každom použití vypláchnite nádrž na znečistenú vodu čistou vodou.
3. Vráťte nádrž na miesto na stroji a otočte záklopku (17), čím nádrž upevníte.

OBSLUHA STROJA

1. Nastavte vodiace rukoväte na vhodnú výšku stlačením (25).
2. Spustite saciu lištu (33) na podlahu stlačením spínača (26).
3. Uistite sa, že je pripojovací kábel pripojený k zodpovedajúcemu zdroju napájania.
4. Zapnite spínač motora kefy (48) a spínač čistiaceho prostriedku (50), rozsvieti sa kontrolka.
5. Zapnite spínač motora vysávania (49), rozsvieti sa kontrolka.
6. Ak je to nutné, nastavte dávkovanie vody ručným otočením guľového uzáveru (31).
7. Potiahnite za jeden alebo oba ovládacie spínače (24), a potom sa kefa začne otáčať a čistiaci prostriedok začne dávkovať. Pohybujte sa strojom a začnite s čistením.



POZNÁMKA

Ak je kontrolka batérií zelená (51), stroj funguje normálne. Ak svieti žltá alebo červená kontrolka, je treba batérie nabiť.



POZOR!

Pred zdvihnutím kefy/unášača prosím odpojte napájací kábel zo zásuvky (16).



POZOR!

Pri čistení nadmerne agresívnych podláh alebo iných povrchov by mohlo dôjsť k nefunkčnosti prístroja, tri spínače na ovládacom paneli sa vypnú. To znamená, že prístroj je preťažený. Prosím stlačte ochranu proti preťaženiu (29), potom zapnite všetky spínače na ovládacom paneli (47).



POZOR!

Stroj nepoužívajte s vybitými batériami, aby nedošlo k ich poškodeniu a skráteniu životnosti.

PO POUŽITÍ STROJA

Po čistení prosím urobte nasledujúce, ešte než stroj odstavíte:

1. Vyberte držiak kefy/unášača.
2. Vyprázdnite nádrže, ako je ukázané v predchádzajúcom odseku.
3. Urobte denné úkony údržby (viď odsek údržby)
4. Uchovajte stroj na čisté a suché mieste, s držiakom kefy/unášača a so zdvihnutou alebo odstránenou sacou lištou.
5. Pri skladovaní na mieste, kde by mohlo mrznúť, sa uistite, že pred uskladnením nie sú v nádrži žiadne tekutiny. Akékoľvek poškodenie vplyvom mrazu nie je pokryté zárukou.

PRI DLHŠOM NEPOUŽÍVANÍ STROJA

Ak stroj nebudete používať po dobu dlhšiu ako 30 dní, urobte prosím nasledujúce:

1. Urobte úkony popísané v časti „Po použití stroja“.
2. Odpojte napájací kábel (16).

ÚDRŽBA

Životnosť stroja a jeho maximálna prevádzková bezpečnosť závisí na správnej a pravidelnej údržbe. Nasledujúca tabuľka ukazuje doporučené úkony údržby. Uvedené intervaly sa môžu líšiť podľa špecifických prevádzkových podmienok, ktoré určí osoba zodpovedná za údržbu.



VAROVÁNIE

*Pri údržbe musí byť kábel odpojený zo zásuvky.
Pozorne si prečítajte pokyny v kapitole Bezpečnosť.*

Všetky plánované alebo výnimočné úkony údržby musia byť prevádzané kvalifikovaným personálom alebo autorizovaným servisným strediskom. Tento manuál popisuje iba jednoduchšie a najbežnejšie úkony údržby.

Pre ostatné úkony údržby uvedené v tabuľke plánovanej údržby sa poraďte so servisným strediskom. Manuál je možné konzultovať v akomkoľvek servisnom stredisku.

TABUĽKA PLÁNOVANEJ ÚDRŽBY

Proces	Denne, po použití stroja	Týždenne	Každých šesť mesiacov	Ročne
Výmena batérií				
Čistenie sacej lišty				
Čistenie kefy				
Čistenie nádrže a mriežky s plavákom, kontrola tesnení krytu				
Kontrola a výmena gumených stierok				
Čistenie filtra nádrže s čistiacim prostriedkom				
Čistenie filtra na vypúšťanie vody				
Kontrola upevnenia skrutiek a matíc			(1)	
Premazanie rotačných častí			(1)	
Kontrola alebo výmen motorových uhlíkov kefy držiaka taniera/unášača				(2)
Kontrola alebo výmena motorových uhlíkov sacieho systému				(2)

(1) A po prvých 8 hodinách obsluhy.

(2) Tento proces údržby musí byť robený autorizovaným servisným strediskom Viper.

NABÍJANIE BATÉRIÍ



POZNÁMKA

Nabíjajte batérie, ak svieti žltá alebo červená kontrolka (51) alebo na konci každého pracovného cyklu.



POZOR !

Udržovaním plne nabitých batérií predĺžite ich životnosť.



POZOR !

Ak stroj nie je vybavený nabíjačkou batérií, zvolte externú nabíjačku batérií vhodnú pre daný typ inštalovaných batérií.



VAROVANIE !

Pre nabíjanie batérie použite prosím nabíjačku schválenú spoločnosťou Viper.



VAROVANIE !

Pri nabíjaní kvapalinových batérií buďte opatrní, mohlo by dôjsť k úniku elektrolytu z batérií. Elektrolyt batérie je korozívny. Ak príde do kontaktu s kožou alebo očami, dôkladne ich vypláchnite vodou a kontaktujte lekára.

NÁVOD NA POUŽITIE

1. Umiestnite nabíjačku a stroj na dobre vetrané miesto.
2. Vypnite stroj (47).
3. Vyberte nádrž na znečistenú vodu (2), tím sa otvorí batériový priestor.
4. Napájací kábel zapojte do uzemnenej zásuvky (100V~240V).
Pripojte napájací kábel k stroju.
5. Kontrolka nabíjania sa rozsvieti (30), čo znamená, že batéria nabíja, zelená kontrolka znamená, že nabíjanie batérií bolo dokončené.
6. Po nabití batérie najskôr odpojte napájací kábel zo zásuvky a potom ho odpojte od stroja.
7. Nádrž na znečistenú vodu vložte späť do stroja.



POZNÁMKA

Pre viac informácií o nabíjačke batérií (29) si prečítajte príslušný odsek.

ČISTENIE SACEJ LIŠTY



POZNÁMKA

Sacia lišta musí byť čistá a jej stierky musia byť v dobrom stave, aby správne sušila.



POZOR!

Pri čistení sacej trysky sa odporúča nosiť ochranné rukavice, pretože by ste sa mohli porezať o ostré hrany.

KONTROLA A VÝMENA LISTU STERKY

1. Vyberte saciu lištu, ako je ukázané v predošlom odseku.
2. Skontrolujte, či nie sú hrany prednej/zadnej chlopne poškodené. Ak je to nutné, vymeňte ich za nové.
3. Odskrutkujte šesť matíc (37), tím stierky vyberiete.
4. Skontrolujte prednú/zadnú stierku, ak v nich nie sú trhliny alebo zárezy. V prípade potreby ich otočte alebo vymeňte.
5. Namontujte saciu lištu podľa postupu pre demontáž, ale kroky robte v opačnom poradí.

ČISTENIE TANIERA S KEFOU/UNÁŠAČOM

NA PODLOŽKU



POZOR!

Pri čistení kefy/unášača sa odporúča nosiť ochranné rukavice, pretože by ste sa mohli porezať o ostré hrany.

1. Odstráňte kefu/unášač padu, ako je uvedené v kapitole Obsluha.
2. Vyčistite a umyte kefu/unášač vodou a čistiacim prostriedkom.
3. Skontrolujte, či nie je kefa porušená alebo opotrebovaná; v prípade potreby ho vymeňte.
4. Skontrolujte, či nie je podložka porušená alebo opotrebovaná; v prípade potreby ju vymeňte.

ČISTENIE MRIEŽKY NÁDRŽE/VYSÁVANIA S PLAVÁKOM A KONTROLA TESNENÍ KRYTU



POZOR!

Pri čistení mechanizmu vysávania sa odporúča nosiť ochranné rukavice, pretože by ste sa mohli porezať o ostré hrany.

1. Presuňte stroj na miesto určené na čistenie.
2. Odpojte napájací kábel (16).
3. Vyberte nádrž na obnovu vody (2), vyčistite a vypláchnite nádrž čistiaceho prostriedku/nádrž na použitú vodu a vyprázdnite ju.
4. Vyberte všetku výbavu, tesnenie, filter, vyčistite ich a vráťte ich späť.
5. Skontrolujte, či nie je tesniaci krúžok na veku nádrže na znečistenú vodu a gumový konektor (18) medzi dvomi nádržami poškodený.

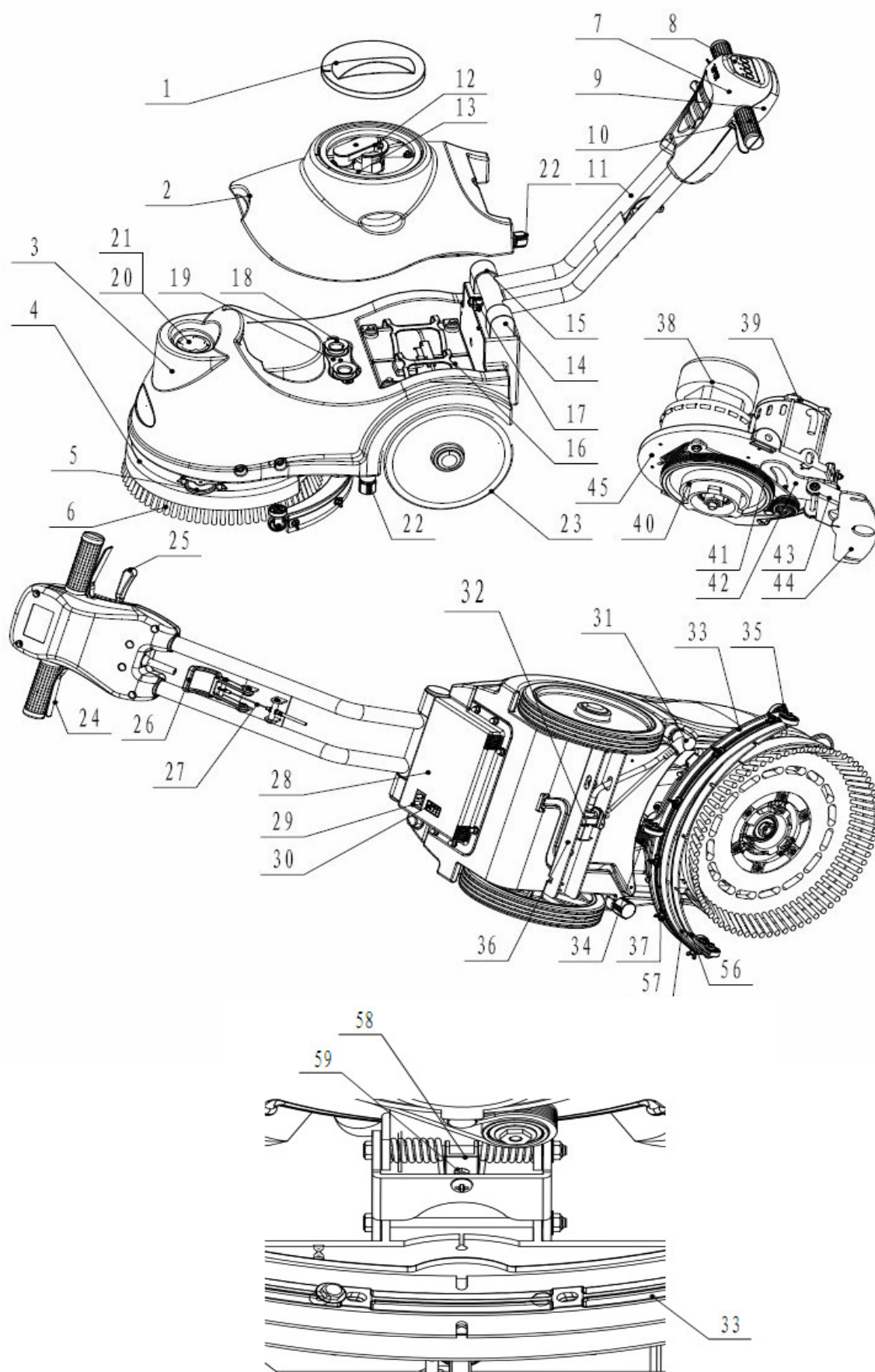


POZNÁMKA

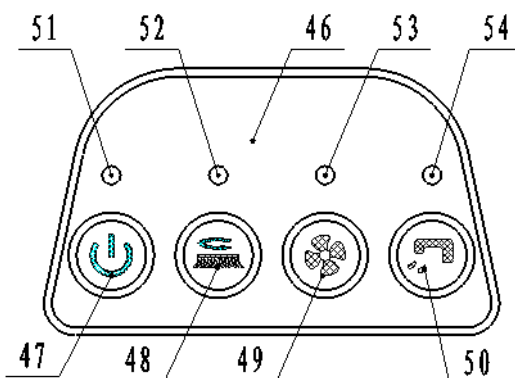
Tesniaci krúžok nádrže na znečistenú vodu a gumový konektor medzi dvomi nádržami vytvára v nádrži podtlak. Ak je to nutné, vymeňte je.

POPIS STROJ

1. Veko nádrže na znečistenú vodu
2. Nádrž na znečistenú vodu
3. Nádrž na čistiaci roztok
4. Krytka kefy
5. Nárazníkové kolieska
6. Kefa
7. Kryt prednej rukoväte
8. Ovládací panel
9. Kryt zadnej rukoväte
10. Rukoväť ovládania
11. Rukoväť ocelevej trubice
12. Zostava vysávania
13. Mechanizmus vysávania sacej lišty
14. Ľavé súkolie
15. Pravé súkolie
16. Batéria
17. Záklopka
18. Gumový konektor
19. Hadicová spojka
20. Plniaci otvor
21. Filter nádrže čistiaceho prostriedku
22. Vypúšťací uzáver
23. Kolieska
24. Ľavá a pravá spúšť
25. Páčka rukoväte
26. Páčka pre zdvihnutie sacej lišty
27. Lanko sacej lišty
28. Rozvodná skriňa
29. Chránič proti preťaženiu
30. Kryt kolies
31. Regulačný ventil
32. Elektromagnetický ventil
33. Sacia lišta
34. Hadička sacej lišty
35. Kolieska sacej lišty
36. Náprava
37. Krídlová matica
38. Motor vysávania
39. Motor kefy
40. Hnacie koleso
41. Remeň
42. Rotačná doska sacej lišty
43. Pripojovací držiak
44. Držiak sacej lišty
45. Upínacia doska motora



Ovládací panel



46. Ovládací panel

47. Hlavný spínač

48. Spínač motora kefy

49. Spínač motoru vysávania

50. Spínač elektromagnetického ventilu vysávania

51. Kontrolka množstva el. energie

52. Kontrolka motora kefy

53. Kontrolka motora vysávania

54. Kontrolka elektromagnetického ventilu vysávania

TECHNICKÉ ÚDAJE

Dĺžka x šírka x výška stroja	770x500x550 mm
Kapacita nádrže s čistiacim roztokom	15 l
Kapacita nádrže na čistú vodu	15 l
Priemer kolies	254 mm
Údaje o motore kefy	220V-240V 250W
Údaje o motore vysávania	220V-240V 300W
Údaje o elektromagnetickom ventilu	24V
Maximálny sklon	2%
Hladina zvuku	68 dBA
Dĺžka napájacieho kábla	15 m
Údaje o batériách	(2x12V) 24V 35Ah/20h
Dĺžka napájacieho kábla	/
Špecifikácia batérií	196 x 130 x 175 mm
Maximálna pracovná kapacita	1000 mm H ₂ O
Efektívnosť čistenia	750 m ² /h
Šírka sací trysky	490 mm
Priemer kefy	380 mm
Otáčky kefy	150 ot./min.
Nabíjačka	Vstup 100-240 V Napätie 50-60 Hz Výstup 24V DC, 5A
Hmotnosť prístroje	60 kg
Hmotnosť prístroje (vrátane nabíjačky a balenia)	65 kg
Špecifikácia obalu	780x415x590 mm

NÁVOD NA POUŽITIE

REŠENIE PROBLÉMOV

Problém	Možná príčina	Riešenie
Stroj nefunguje, kontrolka (51) nesvieti	Konektor batérie je odpojený	Pripojte konektor
	Batérie sú vybité	Nabite batérie
	Napájanie je odpojené	Pripojte
Stroj nefunguje, kontrolka (51) svieti na červeno	Batérie sú vybité	Nabite batérie
Motor kefy nefunguje, kontrolka kefy (52) nesvieti	Doska plošných spojov alebo klávesnica sú poškodené	Vymeňte dosku plošných spojov alebo klávesnicu
Motor kefy nefunguje, kontrolka kefy (52) bliká	Motor je preťažený	Použite menej agresívne kefy vhodné pre čistenie daného povrchu
	Rotácií kefy bráni cudzí materiál (zamotané nite, atď.)	Vyčistite kefu
Motor systému vysávania nefunguje, kontrolka motora (53) nesvieti	Doska plošných spojov alebo klávesnica sú poškodené	Vymeňte dosku plošných spojov alebo klávesnicu
Motor systému vysávania nefunguje, kontrolka motora (53) bliká	Motor vysávania je preťažený	Skontrolujte motor systému vysávania
Slabý sací výkon	Nádrž na znečistenú vodu je plná	Vyprázdňte nádrž na znečistenú vodu
	Hadica je odpojená od sacej lišty	Pripojte ju
	Sacia lišta je zapchatá	Vyčistite ju alebo ju skontrolujte
	Tryska je zanesená alebo sú sacie stierky opotrebované alebo poškodené	Vyčistite a skontrolujte lištu
	Nádoba na znečistenú vodu je uvoľnená	Uzavrite poklop (17)
	Veko nie je poriadne zavreté, alebo je poškodené tesnenie	Zavrite lepšie veko alebo vymeňte tesnenie
	Komponent pre nastavenie stieracej lišty (58) nie je nastavený do vhodnej pozície	Upravte maticu (59) do vhodnej pozície
Nízky alebo žiadny prívod čistiaceho roztoku	Nádrž je prázdna	Naplňte ju vodou
	Kontrolný ventil pre dávkovanie roztoku (31) je zapchatý	Vyčistite ventil
	Nádrž je zanesená	Vyčistite ju
Po sacej lište zostávajú na podlahe pruhy	Stierky sacej lišty sú zanesené	Odstráňte znečistenie
	Stierky sacej trysky sú opotrebované alebo poškodené	Vymeňte stierky

Dovozca pre SR: Nilfisk-Advance s.r.o., Bajčíkovej 1/A, 821 03 Bratislava, www.nilfisk.sk

ŚRODKI OSTROŻNOŚCI

To urządzenie jest przeznaczone do użytku komercyjnego. Ze względu na budowę, z urządzenia można korzystać tylko wewnątrz pomieszczeń. Stosować tylko zalecane akcesoria.

Operatorzy urządzenia muszą przeczytać ze zrozumieniem i wdrożyć w życie następujące środki ostrożności:

1) NIE OBSŁUGUJ MASZYNY:

Zanim nie zostaniesz przeszkolony i upoważniony.
Zanim nie przeczytasz ze zrozumieniem tej instrukcji.
W miejscach zagrożonych pożarem lub wybuchem.
Jeśli nie jest sprawna technicznie.
Na zewnątrz pomieszczeń.

2) ZANIM PRZYSTĄPISZ DO EKSPLOATACJI:

Sprawdź czy wszystkie zabezpieczenia są na miejscu i sprawne/skuteczne

3) W CZASIE PRACY Z MASZYNĄ:

Poruszaj się powoli na powierzchniach pochyłych i śliskich.
Przestrzegaj zasad bezpieczeństwa.
Zachowaj szczególną ostrożność przy prowadzeniu urządzenia wstecz.
Zgłaszaj i naprawiaj usterki maszyny zanim przystąpisz do eksploatacji.

4) ZANIM MASZYNĘ ZOSTAWISZ LUB ODDASZ DO SERWISU:

Zatrzymaj ją na wypoziomowanej powierzchni i wyłącz.

5) W CZASIE SERWISOWANIA MASZYNY:

Dokładnie przeczytaj instrukcję przed rozpoczęciem użytkowania lub serwisowania urządzenia
Stosuj tylko oryginalne części zamienne, albo zalecane przez producenta.
Przed podniesieniem urządzenia podnośnikiem, zablokuj koła klinami.
Do bezpiecznego podniesienia maszyny stosuj zatwierdzony podnośnik lub wciągnik.

W CZASIE SERWISOWANIA MASZYNY: (cd.)

Odłącz baterie przed przystąpieniem do prac przy maszynie.
Do operowania bateriami lub kablami baterii - włóż rękawice.
Unikaj kontaktu z kwasem z baterii.
Uważaj na części ruchome. Nie noś luźnych ubrań do serwisowania urządzenia.

**OSTRZEŻENIE!**

Baterie uwalniają gazowy wodór, który może się przyczynić do wybuchu lub powstania pożaru. Chroń je przed iskrami i nieosłoniętymi źródłami ognia! W czasie ładowania, trzymaj otwarty przedział z bateriami.

**OSTRZEŻENIE!**

Materiały palne mogą spowodować pożar albo wybuch. Nie stosuj materiałów palnych w zbiornikach.

**OSTRZEŻENIE!**

Materiały palne lub reaktywne metale mogą spowodować pożar albo wybuch. Nie zbieraj ich urządzeniem.

USTAWIENIA I MONTAŻ MASZYNY

ROZPAKOWANIE MASZYNY

Sprawdź czy karton nie jest uszkodzony. Ewentualne uszkodzenia od razu zgłoś przewoźnikowi.

Sprawdź czy opakowanie zawiera:

1. Maszynę
2. Baterie (x2)
3. Zespół ściągaczki
4. Instrukcję obsługi szczotko-suszarki
5. Instrukcję obsługi ładowarki do baterii (o ile jest)
6. Przewód do połączenia baterii z ładowarką (o ile jest)
7. Szczotkę lub trzymak pad (o ile jest)

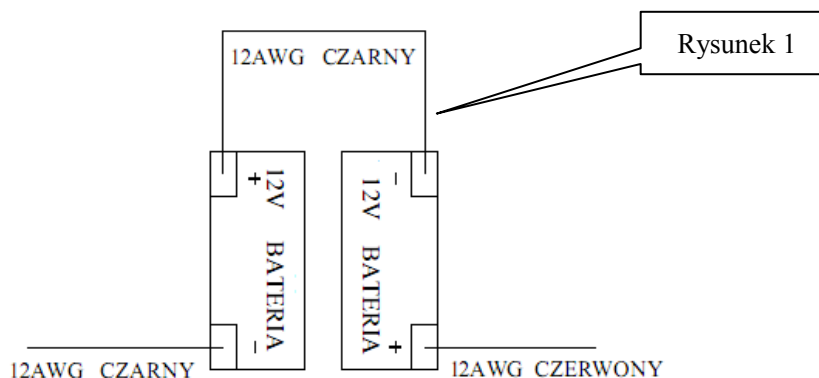
DEMONTAŻ I INSTALACJA BATERII

1. Wyłącz główny przełącznik zasilania (47).
2. Wyjmij zbiornik odzysku wody (2) zgodnie z opisem w odpowiednim punkcie.
3. Odkręć śrubę z baterii (16), aby je wymontować albo wymienić.
4. Zainstaluj baterie wg poniższego schematu.
5. Zamontuj zbiornik odzysku wody.



OSTRZEŻENIE

Przy demontażu lub instalacji baterii nie łącz ++ albo --, bo to bardzo niebezpieczne.



Ładowanie baterii

Naładuj baterie (zob. odpowiednią procedurę w rozdziale Konserwacja).

USTAWIENIA MASZYNY

Kontrole wstępne

1. Zamieć lub przetrzyj na sucho powierzchnię przeznaczoną do mycia.
2. Sprawdź czy prawidłowo zainstalowano ściągaczkę.
3. Obniż ściągaczkę (33) za pomocą dźwigni (26).
4. Sprawdź czy baterie są już naładowane (zob. ŁADOWANIE BATERII).
5. Sprawdź czy prawidłowo zainstalowano szczotkę / pad.

Instalacja i demontaż szczotki/ trzymaka pad

**INFORMACJA**

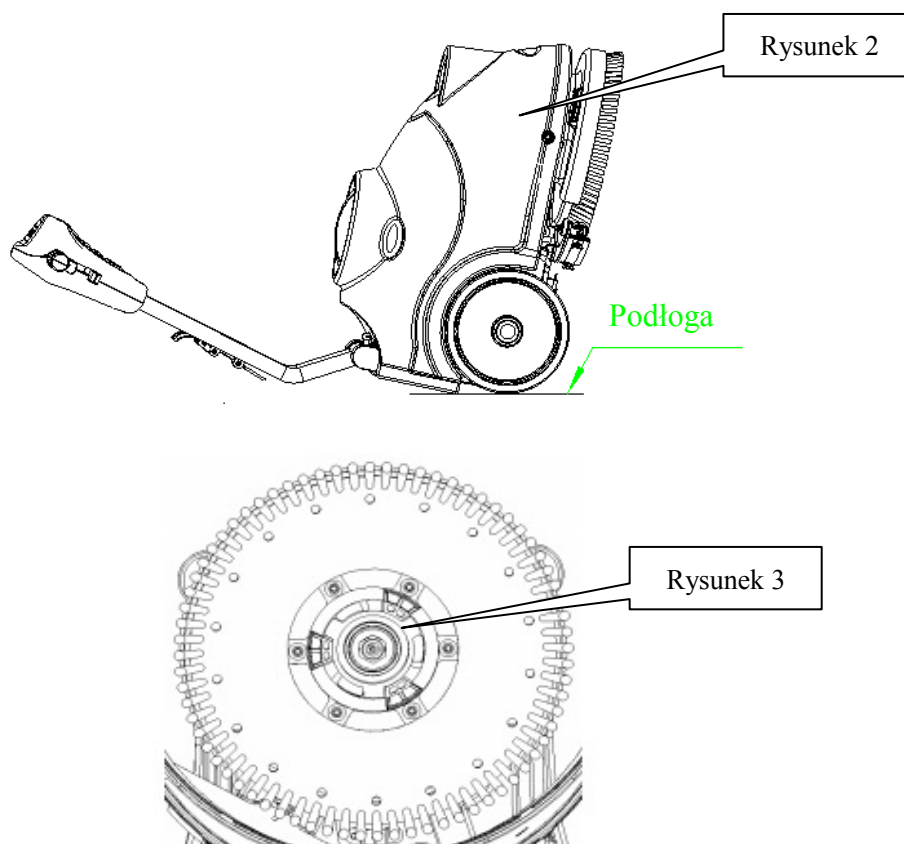
Instaluj ręcznie. Instalacja automatyczna powoduje zużycie piasty.

Przed demontażem szczotki, sprawdź czy zbiorniki są puste.

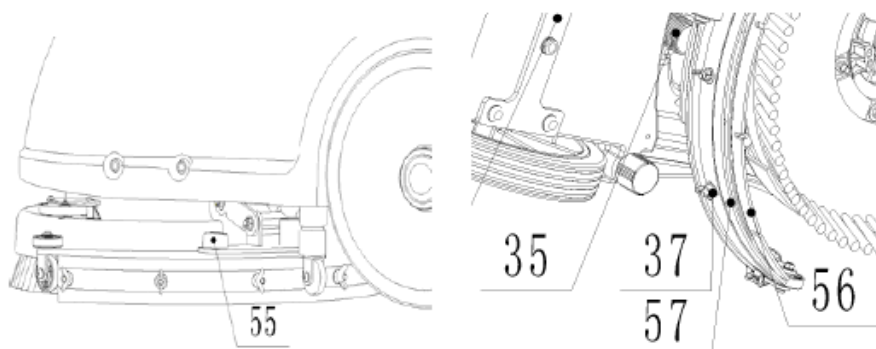
1. Wyłącz maszynę.
2. Połóż maszynę w pozycji zgodnej z rysunkiem 2. Podnieś dźwignię (26) aby unieść ściągaczkę (33).
3. Zamontuj szczotkę lub trzymak pad na piaście koła napędu, a następnie obracaj je w lewo aż się zablokuje, zgodnie z rysunkiem 3.
4. Aby zdemontować szczotkę/pad, trzeba je obracać w prawo, aż zejdzie z piasty koła napędowego.

**OSTRZEŻENIE**

Nie włączaj urządzenia, które znajduje się w pozycji jn. Wypadnięcie szczotki/pada mogłoby doprowadzić do uszczerbku na zdrowiu.

**Montaż ściągaczki**

1. Wyłącz maszynę (47).
2. Pociągnij dźwignię do podnoszenia ściągaczki (26) w dół, aby położyć ściągaczkę w pozycji roboczej.
3. Połóż maszynę w pozycji zgodnej z rysunkiem 2.
4. Poluzuj obydwie nakrętki (55) na ściągacze i wsuń ściągaczkę do szczelin wsporników ściągaczki. Dobrze dokręć nakrętki (do demontażu – nakrętki odkręć).
5. Do wymiany przedniej/tylnej ściągaczki (56/57), odkręć nakrętkę skrzydełkową (37).



Napełnianie zbiornika na roztwór



INFORMACJA

Maszynę można napełnić za pomocą przewodu lub wiadra. W czasie napełniania, nie wyjmuj filtra (21).

1. Wlej wodę do zbiornika (3) przez wlot (20), za pomocą przewodu albo wiadra
2. Nie napełniaj zbiornika całkowicie, zostaw kilku centymetrów do krawędzi.
3. Temperatura wody nie powinna przekraczać 40° C.



OSTROŻNIE!

Stosuj detergenty przeznaczone do automatycznych urządzeń myjących – niskopieniące i niepalne.

Opróżnianie zbiornika na roztwór



INFORMACJA

Za każdym razem po zakończeniu szorowania, należy opróżnić i umyć zbiornik na roztwór myjący.

1. Odkręć korek spustowy (22) z dna zbiornika. Dzięki temu, roztwór myjący/woda swobodnie spłynie do wiadra lub kratki w podłodze.
2. Wypłucz zbiornik czystą wodą po każdym użyciu, by uchronić przewody przed odkładaniem się środków chemicznych i w końcu zapchaniem.
3. Zakręć korek spustowy (22).

Opróżnianie zbiornika odzysku wody



INFORMACJA

Za każdym razem po zakończeniu szorowania, należy opróżnić i umyć zbiornik do odzysku wody.

1. Odkręć zaczep (17) ze zbiornika odzysku i zdejmij go z maszyny, chwytając za rowki zbiornika. Otwórz pokrywę (1) i odwróć zbiornik odzysku do góry nogami w celu wylania brudnej wody, albo odkręć korek spustowy (22) i wylej wodę przewodem do wiadra.
2. Po każdym użyciu, wypłucz zbiornik do odzysku wody - czystą wodą.
3. Nałóż zbiornik do odzysku wody i przekręć zaczep (17) by zablokować zbiornik.

EKSPLOATACJA MASZYNY

1. Ustaw uchwyt na wygodnej wysokości, naciskając dźwignię (25).
2. Opuść ściągaczkę (33) na podłogę ciągnąc dźwignię (26) w dół.

3. Włącz główny przełącznik zasilania (47).
4. Włącz przełącznik silnika szczotki (48), przełącznik dozowania roztworu (50) – zaświeci się stosowna lampka wskaźnikowa.
5. Włącz przełącznik silnika odkurzacza (49), – zaświeci się stosowna lampka wskaźnikowa.
6. W razie konieczności, ustaw przepływ wody, przez ręczne przekręcenie zaworu kulowego (31).
7. Pociągnij jedną lub obydwie dźwigienki (24), szczotka zacznie się kręcić, a roztwór - płynąć. Rusz urządzenie i rozpocznij czyszczenie.

INFORMACJA

Jeśli zapali się zielona kontrolka baterii (51), to znaczy że maszyna jest gotowa do użycia.

Jeśli zapali się żółta lub czerwona kontrolka, to trzeba naładować baterie.



OSTROŻNIE!

Zanim podniesiesz szczotkę, wyłącz ją przez naciśnięcie przełącznika (47).



OSTROŻNIE!

Przy czyszczeniu bardzo trudnych podłóg lub kiedy z innej przyczyny maszyna nie działa, jednocześnie migają kontrolki silnika szczotki i odkurzacza na panelu sterowania (46). Oznacza to przeciążenie maszyny.

Wyłącz wszystkie przełączniki na panelu sterowania (46).



OSTROŻNIE!

Nie używaj maszyny z rozładowanymi bateriami, żeby uniknąć ich uszkodzenia i skrócenia ich żywotności.

NA ZAKOŃCZENIE PRACY Z MASZYNĄ

Po zakończeniu czyszczenia, wykonaj co następuje zanim zostawisz maszynę:

1. Ściągnij szczotkę/uchwyt pada.
2. Całkowicie opróżnij i osusz zbiorniki płynów.
3. Przeprowadź czynności wchodzące w zakres obsługi codziennej (zob. rozdział Konserwacja).
4. Maszynę przechowuj w czystym i suchym miejscu, razem ze szczotką/trzymakiem pad, a podniesioną/ściągniętą ściągaczką.
5. Jeśli miejsce przechowania narażone jest na działanie mrozu, to dopilnuj by wcześniej maszynę opróżnić z wszelkich płynów. Gwarancja nie obejmuje uszkodzeń, które wystąpiły w efekcie działania mrozu.

NIE UŻYWAJ MASZYNY ZBYT DŁUGO

Jeśli urządzenie nie będzie eksploatowane przez ponad 30 dni, to wykonaj co następuje:

1. Przeprowadź procedury zaprezentowane z punkcie „Na zakończenie pracy z maszyną”.
2. Odłącz łącznik baterii.

KONSERWACJA

Prawidłowo prowadzona i systematyczna konserwacja zapewnia długotrwałe użytkowanie maszyny oraz maksymalne bezpieczeństwo użytkownika. W tabeli poniżej przedstawiono harmonogram konserwacji. Czasokresy wskazane w tabeli mogą ulegać zmianom zależnie od konkretnych warunków pracy, które określa osoba odpowiedzialna za konserwację.

INSTRUKCJA OBSŁUGI



OSTRZEŻENIE

*Konserwacje wykonuje się na wyłączonej maszynie oraz przy rozłączonym kablu ładowania baterii.
Dodatkowo należy dokładnie przeczytać instrukcji bezpieczeństwa w rozdziale Środki bezpieczeństwa.*

Planowane przeglądy oraz naprawy może prowadzić tylko wykwalifikowany personel albo serwisanci z autoryzowanego punktu serwisowego.

W niniejszym podręczniku opisano tylko najłatwiejsze i najczęściej przeprowadzane czynności konserwacyjne.

Zob. inne konserwacje w tabeli pt. Harmonogram konserwacji oraz w instrukcji serwisowej.

Instrukcja serwisowa jest dostępna w punktach serwisowych.

HARMONOGRAM PRZEGLĄDÓW

Procedura	Codziennie, na zakończenie pracy z maszyną	Co tydzień	Co 6 miesięcy	Co roku
Ładowanie baterii				
Czyszczenie ściągaczki				
Czyszczenie szczotki				
Czyszczenie siatki zbiornika/odkurzacza i kontrola uszczelki pokrywy				
Kontrola i wymiana pióra ściągaczki				
Czyszczenie filtra roztworu myjącego				
Czyszczenie przewodu wylotowego wody				
Kontrola dokręcenia śrub i nakrętek			(1)	
Smarowanie części obracających się			(1)	
Kontrola lub wymiana szczotki węglowej silnika szczotki/uchwyty pada				(2)
Kontrola lub wymiana szczotki węglowej silnika odkurzacza				(2)

(1) Oraz po pierwszych 8 godzinach pracy.

(2) Te konserwacje może prowadzić tylko personel z autoryzowanego punktu serwisowego.

ŁADOWANIE BATERII



INFORMACJA

Baterie ładować kiedy pali się żółta lub czerwona kontrolka (51), albo na zakończenie każdego cyklu pracy.



OSTROŻNIE!

Ładowanie baterii przedłuża ich okres użytkowania.



OSTROŻNIE!

Jeśli maszyna nie ma zainstalowanej ładowarki, to dobierz odpowiednią ładowarkę zewnętrzną.



OSTRZEŻENIE!

Stosuj ładowarki zatwierdzone przez Viper.



OSTRZEŻENIE!

Uważaj przy ładowaniu baterii mokrych, ponieważ mogą cieknąć. Ciecz wypełniająca baterie jest żrąca. Jeśli dostanie się na skórę lub do oczu, to obficie spłukać wodą i zasięgnąć porady u lekarza.

1. Ładowanie powinno się odbywać w miejscu z dobrą wentylacją.
2. Wyłącz maszynę (47).
3. Zdejmij zbiornik odzysku (2), odsłaniając przedział z bateriami.
4. Podłącz kabel ładowania do gniazdka z uziemieniem (100V~240V). Następnie włóż kabel do gniazdka na maszynie.
5. Zapalona kontrolka ładowania (30) oznacza trwające ładowanie, a kontrola zielona – koniec ładowania.
6. Po zakończeniu ładowania, najpierw wyjąć wtyczkę ładowarki z gniazdka w ścianie, a następnie rozłączyć ładowarkę od maszyny.
7. Zamontuj zbiornik odzysku wody.



INFORMACJA

Więcej informacji o ładowarce (29) w stosownym rozdziale.

CZYSZCZENIE ŚCIAĞACZKI



INFORMACJA

Żeby ściągaczka dobrze osuszała, musi być czysta, a jej pióra w dobrym stanie technicznym.



UWAGA!

Zaleca się noszenie rękawic ochronnych do czyszczenia ściągaczki, ponieważ resztki mogą mieć ostre krawędzie.

KONTROLA I WYMIANA PIÓRA ŚCIAĞACZKI

1. Zdejmij ściągaczkę zgodnie z opisem w poprzednim akapicie.
2. Sprawdź wzrokowo czy brzegi piór (przednie i tylne) nie są pęknięte i w razie potrzeby wymień jej na nowe.
3. Odkręć sześć nakrętek motylkowych (37), by uwolnić pióra.
4. Sprawdź czy pióra (przednie i tylne) są całe, niepocięte i nieposzarpane. Jeśli ich stan nie jest zadowalający, to je odwróć albo wymień na nowe.
5. Zamontuj ściągaczkę w odwrotnej kolejności procedury demontażu.

CZYSZCZENIE SZCZOTKI/ TRZYMAKA PAD



OSTROŻNIE!

Zaleca się noszenie rękawic ochronnych do czyszczenia szczotki/pada, ponieważ resztki mogą mieć ostre krawędzie.

1. Zdjąć szczotkę/pad z maszyny, zgodnie z opisem w rozdziale Użytkowanie.
2. Szczotkę/pad czyścić i myć wodą z detergentem.
3. Sprawdzić stan zużycia włosia szczotki i w razie konieczności szczotkę wymienić.
4. Sprawdzić stan zużycia włosia pada i w razie konieczności pad wymienić.

CZYSZCZENIE SIATKI ZBIORNIKA/ODKURZACZA I KONTROLA USZCZELKI POKRYWY

INSTRUKCJA OBSŁUGI



OSTROŻNIE!

Zaleca się noszenie rękawic ochronnych do czyszczenia zespołu zbiornika i odkurzania, ponieważ resztki mogą mieć ostre krawędzie.

1. Przesuń maszynę do miejsca opróżniania z odpadów.
2. Wyłącz główny przełącznik zasilania (47).
3. Zdejmij zbiornik odzysku (2), oczyść i wypłucz obydwa zbiorniki (roztworu myjącego i odzysku wody) i opróżnij je.
4. Zdejmij oprzyrządowanie odkurzacza, uszczelkę, filtr; wyczyść je i zamontuj z powrotem.
5. Sprawdź stan uszczelki pokrywy zbiornika odzysku i gumowego łącznika (18) pomiędzy obydwooma zbiornikami.



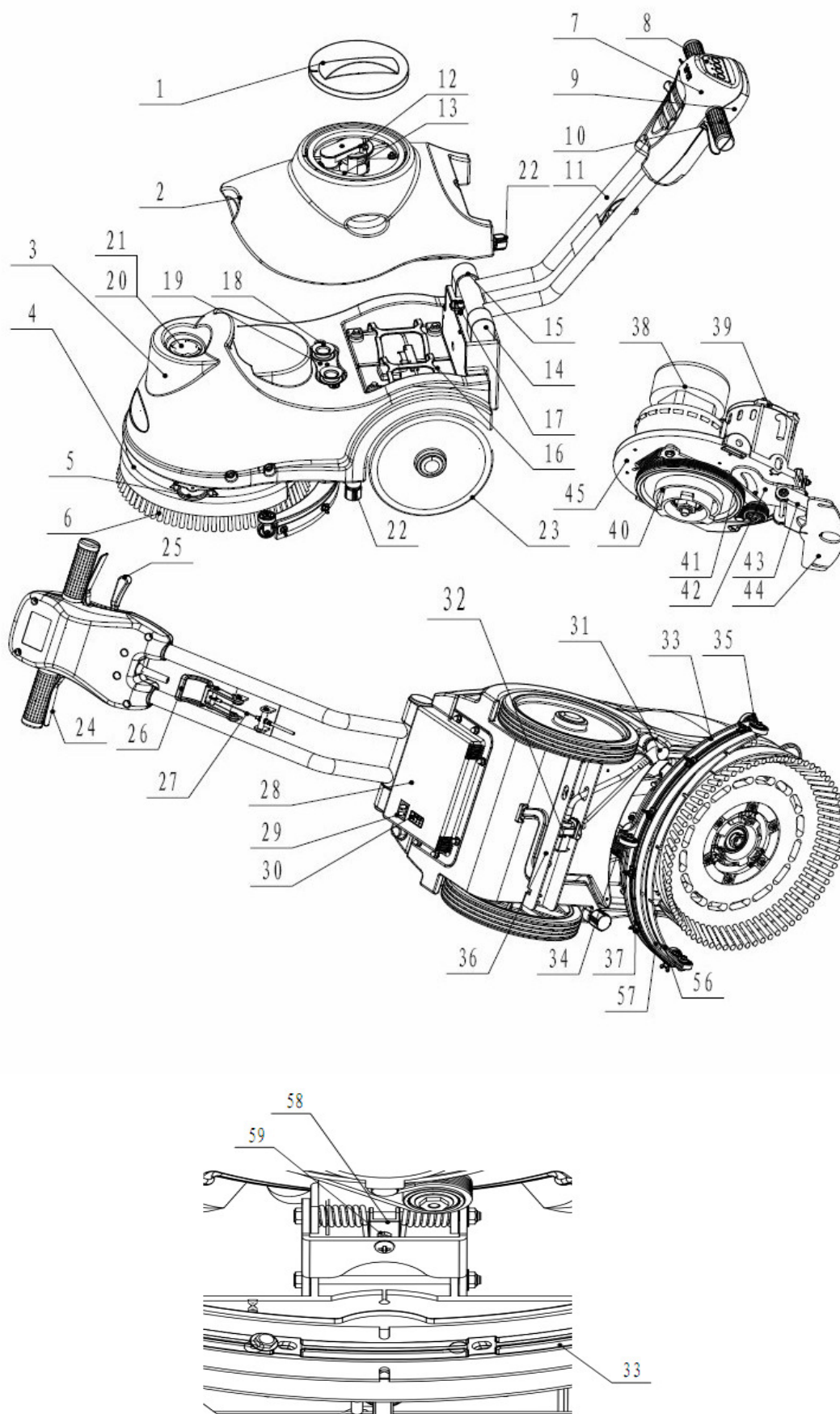
INFORMACJA

Pierścieniowa uszczelka pokrywy zbiornika odzysku i gumowy łącznik odpowiadają za tworzenie podciśnienia w zbiorniku. Wymień je, jeśli trzeba.

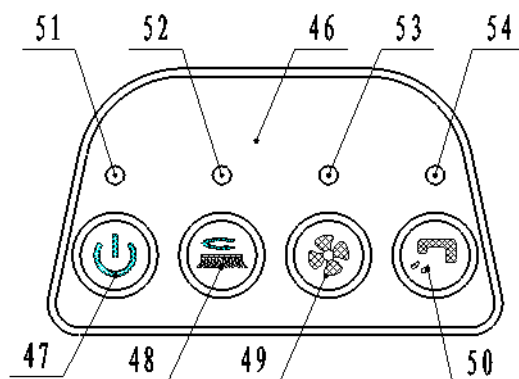
BUDOWA MASZYNY

1. Pokrywa zbiornika odzysku wody
2. Zbiornik odzysku wody
3. Zbiornik na roztwór
4. Pokrywa szczotki
5. Rolki ochronne
6. Szczotka
7. Przednia osłona uchwyty
8. Panel sterowania
9. Tylne osłony uchwyty
10. Gumowa część uchwyty
11. Przewód żelazny uchwyty
12. Podzespół podciśnieniowy ściązaczk
13. Podzespół zasysający ściązaczk
14. Pozycjonowanie lewe
15. Pozycjonowanie prawe
16. Baterie
17. Zaczep
18. Gumowe uszczelnienie
19. Przyłącze przewodu giętkiego
20. Wlot
21. Filtr roztworu myjącego
22. Spust zbiornika na roztwór
23. Koła na stałej osi
24. Rączka lewa i prawa
25. Dźwignia obrotu uchwyty
26. Dźwignia podnoszenia ściązaczk
27. Linka ściązaczk
28. Obudowa obwodów
29. Ładowarka

30. Kontrolka ładowania baterii
31. Dźwignia dozowania roztworu
32. Parametry zaworu elektromagnetycznego
33. Ściągaczka
34. Przewód giętki ściągaczki
35. Kółka ściągaczki
36. Oś
37. Nakrętka motylkowa
38. Silnik odkurzacza
39. Silnik szczotki
40. Pasek napędowy
41. Pas
42. Wspornik obracania ściągaczki
43. Wspornik podnoszenia ściągaczki
44. Wspornik mocowania ściągaczki
45. Wspornik mocowania silnika



Panel sterowania



- | | |
|------------------------------------|----------------------------------|
| 46. Panel sterowania | 51. Wskaźnik stanu naładowania |
| 47. Przełącznik główny | 52. Kontrolka silnika szczotki |
| 48. Przełącznik silnika szczotki | 53. Kontrolka silnika odkurzacza |
| 49. Przełącznik silnika odkurzacza | 54. Kontrolka dozowania |
| 50. Przełącznik dozowania | |

DANE TECHNICZNE

Długość*szerokość*wysokość maszyny	770x500x550 mm
Pojemność zbiornika na roztwór	15L
Pojemność zbiornika odzysku wody	15L
Średnica koła	254 mm
Parametry silnika szczotki	24 V 250 W
Parametry silnika odkurzacza	24 V 300 W
Parametry zaworu elektromagnetycznego	24 V
Maksymalne nachylenie	2%
Poziom hałasu	68 dBA
Parametry baterii	(2 x 12 V) 24 V 35 Ah/20godz
Długość kabla zasilania	/
Wymiary baterii	196 x 130 x 175 mm.
Wydajność robocza do	1000 mm H ₂ O
Wydajność czyszczenia	750 m ² /godz
Szerokość ściągaczki	490 mm
Średnica szczotki	380 mm
Szybkość obrotowa szczotki	150 rpm
Ładowarka	Wejście 100-240 V AC, 50-60 HZ Wyjście 24 V DC, 5 A
Ciężar roboczy	60 kg
Waga brutto	65 kg
Wymiary kartonu	780x415x590MM

USUWANIE USTEREK

Usterka	Możliwa przyczyna	Środek zaradczy
Urządzenie nie działa, kontrolka (51) nie świeci się	Łącznik baterii niepodłączony	Podłącz
	Baterie się rozładowały	Naładuj baterie
	Linia zasilania niepodłączona do źródła zasilania	Podłącz
Urządzenie nie działa, kontrolka (51) świeci się na czerwono	Baterie się rozładowały	Naładuj baterie
Silnik szczotki nie działa, kontrolka szczotki (52) nie świeci się	Pad obwodu drukowanego lub płytka z przyciskami jest uszkodzona.	Wymień pad obwodu drukowanego lub płytkę z przyciskami.
Silnik szczotki nie działa, kontrolka szczotki (52) miga	Przeciążony silnik	Szoruj łagodniej, odpowiednio do czyszczonej podłogi
	Ciała obce (poplątane nici, itp.) hamują obracanie się szczotki	Oczyść piastę szczotki
Silnik odkurzacza nie działa, kontrolka silnika odkurzacza (53) nie świeci się	Pad obwodu drukowanego lub płytka z przyciskami jest uszkodzona.	Wymień pad obwodu drukowanego lub płytkę z przyciskami.
Silnik odkurzacza nie działa, kontrolka odkurzacza (53) miga	Silnik odkurzacza jest przeciążony	Sprawdź silnik odkurzacza
Odciąganie brudnej wody jest niewystarczające	Zbiornik odzysku jest pełny.	Opróżnij zbiornik odzysku.
	Wąż jest odłączony od ściągaczki.	Przyłącz
	Zespół odkurzania jest zatkany	Wyczyść lub sprawdź
	Ściągaczka jest brudna, albo pióra ściągaczki są zużyte lub uszkodzone	Oczyść i sprawdź ściągaczkę.
	Zbiornik odzysku jest niezamknięty	Zamknij zaczep (17)
	Pokrywa zbiornika jest niedomknięta albo uszczelka jest uszkodzona	Domknij pokrywę albo wymień uszczelkę
Przepływ roztworu myjącego jest niewystarczający.	Element regulacji ściągaczki (58) położony nieprawidłowo	Położenie wyreguluj nakrętką (59)
	Zbiornik na roztwór jest pusty	Napełnij wodą
	Zawór regulacji przepływu roztworu (31) jest zablokowany	Wyczyść zawór
Ściągaczka zostawia ślady na podłodze.	Roztwór jest zanieczyszczony	Wyczyść roztwór
	Pod piórami ściągaczki są śmieci.	Usuń śmieci
	Pióra ściągaczki są zużyte, poszarpane lub rozdarte	Wymień pióra

BIZTONSÁGI ÓVINTÉZKEDÉSEK

Ez a berendezés magánhasználatra lett tervezve. Rendeltetészerűn beltéri használatra való, másféle használatra nem. Csak az ajánlott tartozékokkal használja.

Minden kezelőnek el kell olvasnia, meg kell értenie és be kell tartania az alábbi biztonsági óvintézkedéseket:

1) NE MŰKÖDTESSE A BERENDEZÉST:

Ha nem megfelelően képzett és jogosult rá.

Ha nem olvasta el és nem értette meg a felhasználói kézikönyvet.

Gyúlékony vagy robbanékony anyagokat tartalmazó területen.

Ha az nincs megfelelő állapotban.

Kültérben.

2) A BERENDEZÉS MŰKÖDTETÉSE ELŐTT:

Bizonyosodjon meg arról, hogy minden biztonsági eszköz a helyén van és megfelelően működik.

3) A BERENDEZÉS HASZNÁLATAKOR:

A lejtőkön és csúszós felületeken lassan mozogjon.

Tartson be minden biztonsági útmutatást.

Legyen nagyon óvatos, amikor a berendezést hátramenetben használja.

A berendezés használata előtt jelentsen vagy javítson ki minden hibát.

4) A BERENDEZÉS ELHAGYÁSA VAGY SZERVIZELÉSE ELŐTT:

Állítsa le a berendezést egyenes talajon.

Kapcsolja ki a berendezést.

5) A BERENDEZÉS SZERVIZELÉSEKOR:

A berendezés működtetése vagy szervizelése előtt figyelmesen olvassa el a felhasználói kézikönyvet.

Gyártó által szállított vagy jóváhagyott cserealkatrészeket használjon.

A berendezést felemelés előtt biztosítsa be a kerékblokkokkal.

A berendezés biztonságos emeléséhez jóváhagyott emelőt vagy darut használjon.

A BERENDEZÉS SZERVIZELÉSEKOR: (folyt.)

A berendezésen való szervizmunka előtt oldja ki az akkumulátorokat.

Az akkumulátorok vagy akkumulátorkábelek kezelésékor használjon kesztyűt.

Kerülje az akkumulátor savval való érintkezést.

Kerülje a mozgó részeket, a berendezés szervizelésekor ne viseljen laza ruházatot.



FIGYELMEZTETÉS!

Az akkumulátorok hidrogéngázt bocsátanak ki. A hidrogéngáz robbanást vagy tüzet okozhat. Tartsa a berendezést nyílt lángtól és szikráktól távol! Töltéskor hagyja az akkumulátortartó rekeszt nyitva.



FIGYELMEZTETÉS!

A gyúlékony anyagok robbanást vagy tüzet okozhatnak. A tartályokban ne használjon gyúlékony anyagokat.



FIGYELMEZTETÉS!

A gyúlékony anyagok vagy reaktív fémek robbanást vagy tüzet okozhatnak. Ne emelje fel.

BERENDEZÉS ÖSSZESZERELÉSE ÉS TELEPÍTÉSE

BERENDEZÉS ELŐKÉSZÍTÉSE

Ellenőrizze, hogy a csomagoló karton nem sérült-e. A sérülést azonnal jelezze a szállítónak.

Ellenőrizze a csomag tartalmát, hogy megvan-e az összes szükséges alkatrész:

1. Berendezés
2. Akkumulátorok (x2)
3. Gumitörlő egység
4. Súroló-szárító Felhasználói kézikönyv
5. Elektromos akkumulátortöltő Kézikönyv (ha van)
6. Akkumulátor - töltő összekötő vezeték (ha van)
7. Kefe vagy tárcsa (ha van)

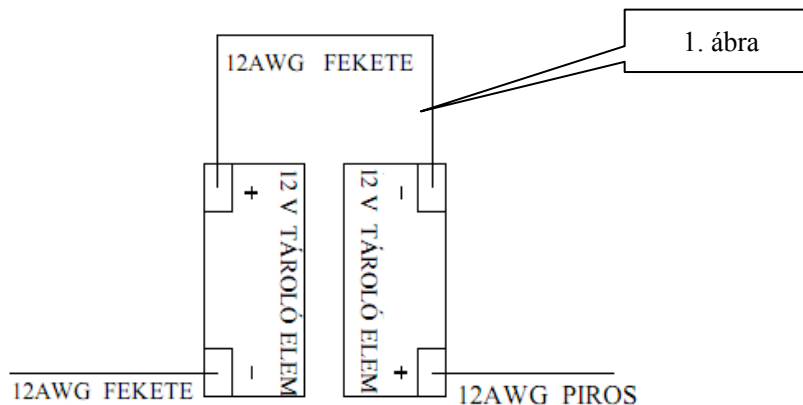
AKKUMULÁTOR SZÉTSZERELÉSE ÉS BEHELYEZÉSE

1. Kapcsolja ki a főkapcsolót (47).
2. Vegye le a segéd tartályt (2) a megfelelő bekezdésben leírtak szerint.
3. Csavarozza ki a csavart az akkumulátorokból (16), majd vegye vagy cserélje ki.
4. Helyezze be az akkumulátorokat az alábbi ábra szerint.
5. Tegye vissza a segéd tartályt.



FIGYELMEZTETÉS

Az akkumulátorok szétszerelésékor vagy behelyezésekor ne csatlakoztassa a “+”-t a “+”-hoz vagy a “-”-t a “-”-hoz. Ez nagyon veszélyes.



Akkumulátor töltése

Töltse fel az akkumulátorokat (a folyamatot lásd a Karbantartás fejezetben).

A BERENDEZÉS ELŐKÉSZÍTÉSE

Működtetés előtti ellenőrzések

1. Seperje fel vagy portalanítsa a tisztítandó felületet.
2. Ellenőrizze, hogy a gumitörlő jól be van-e helyezve.

3. Engedje le a gumitörlőt (33) a kar (26) segítségével.
4. Ellenőrizze, hogy az akkumulátor teljesen fel van-e töltve (lásd: AKKUMULÁTOR TÖLTÉSE).
5. Ellenőrizze, hogy a kefe/tárcsa jól be van-e helyezve.

Kefe/tárcsa behelyezése és szétszerelése



MEGJEGYZÉS

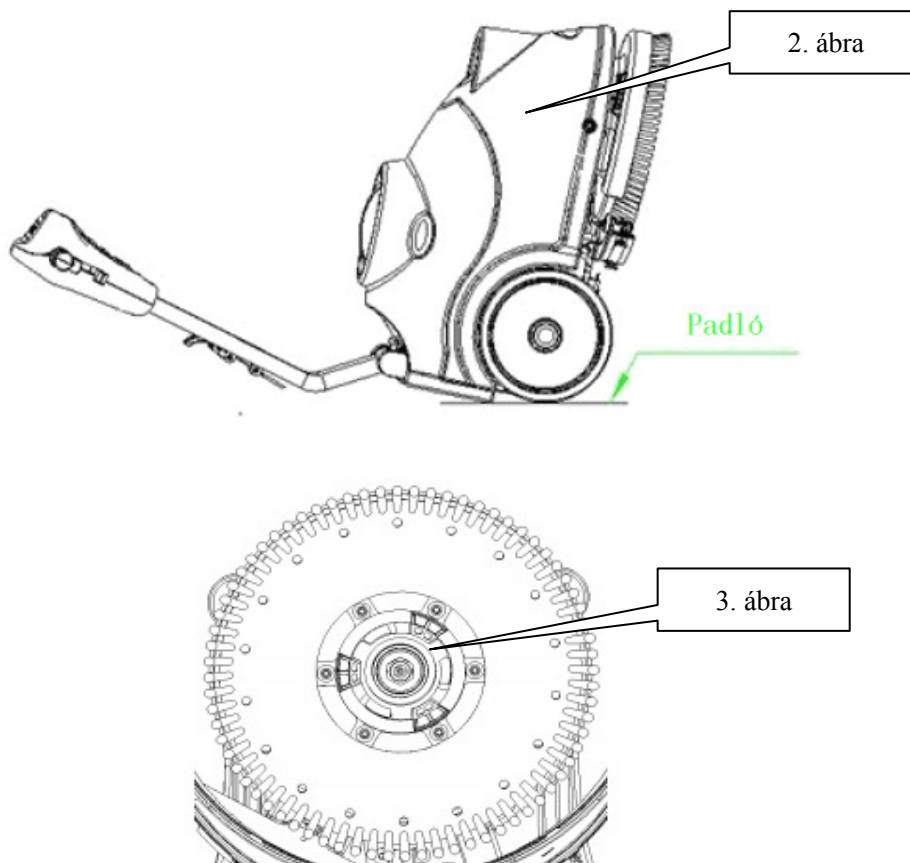
*Csak kézzel helyezze be. Automatikus behelyezéskor a kefe elhasználódik.
A kefe szétszerelése előtt bizonyosodjon meg arról, hogy a tartályok üresek.*

1. Kapcsolja ki a berendezést.
2. Fektesse a berendezést a 2. ábrán látható pozícióba. Húzza fel az emelőkart (26), hogy felemelje a gumitörlő egységet (33).
3. Szerelje a kefét vagy tárcsát a hajtókerék egységre, majd fordítsa el balra, amíg a helyére nem zárul, ahogy a 3. ábrán látható.
4. A kefe/tárcsa szétszereléséhez fordítsa el a kefét/tárcsát jobbra, amíg le nem jön a hajtókerék egységről.



FIGYELMEZTETÉS

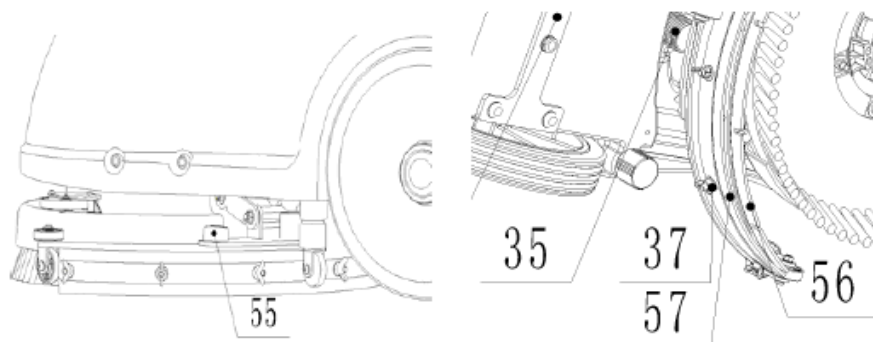
A berendezést a lenti pozícióban ne kapcsolja be. A kefe/tárcsa kilazulhat és sérülést okozhat.



Gumitörlő beszerelése

1. Kapcsolja ki a berendezést (47).
2. Húzza le a gumitörlő emelő kart (26), hogy a gumitörlő “munkavégzési” pozícióba kerüljön.
3. Fektesse a berendezést a 2. ábrán látható pozícióba.
4. Lazítsa ki a két csavart (55) a gumitörlőn és csúsztassa a gumitörlőt a gumitörlő nyílásokba. Biztonságosan húzza be a csavarokat (szétszereléskor csavarja ki).

5. Az elülső/hátsó gumitörlő (56/57) cseréjéhez csavarozza ki az anyacsavart (37).



Tisztítószer tartály feltöltése



MEGJEGYZÉS

A berendezés feltölthető tömlővel vagy vödörből. Feltöltéskor ne vegye ki a tisztítószer szűrőt (21).

1. Töltsön vizet a tisztítószer tartályba (3) a bemeneti nyíláson keresztül (20) tömlő vagy vödör segítségével.
2. A tisztítószer tartályt ne töltsse fel teljesen, hagyjon néhány centiméter helyet a peremtől.
3. A víz hőmérséklet ne haladja meg a 40 fokot.



FIGYELEM!

Csak mérsékelt habzó és nem gyúlékony, súroláshoz megfelelő tisztítószereket használjon.

Tisztítószer tartály leeresztése



MEGJEGYZÉS

A tisztítószer tartályt minden egyes súrolás után le kell ereszteni és ki kell tisztítani.

1. Vegye le a leeresztő kupakot (22) a tisztítószer tartály alján. A tisztítószer/víz kifolyik a vödörbe vagy a lefolyóba.
2. Minden használat után öblítse át a tisztítószer tartályt tiszta vízzel. Ezzel megelőzi a vegyi kimarást.
3. Helyezze vissza a leeresztő kupakot (22).

Segéd tartály leeresztése



MEGJEGYZÉS

A segéd tartályt minden egyes súrolás után le kell ereszteni és ki kell tisztítani.

1. Fordítsa el a segéd tartály reteszét (17), a tartály két fogantyújának megfogásával vegye ki a segéd tartályt a berendezésből. Nyissa fel a fedelet (1) és fordítsa meg a segéd tartályt, hogy a szennyvizet a tartályba öntse, vagy vegye le a leeresztő kupakot (22), hogy a víz kifolyhasson egy vödörbe.
2. Minden egyes használat után tisztítsa meg és öblítse ki a segéd tartályt tiszta vízzel.
3. Helyezze vissza a segéd tartályt a berendezésre és fordítsa vissza a reteszt (17) a tartály reteszeléséhez.

A BERENDEZÉS MŰKÖDTETÉSE

1. A kar (25) megnyomásával állítsa a fogantyút kellemes magasságba.
2. Az emelő mechanizmus (26) lehúzásával eressze le a gumitörlőt (33) a padlóra.
3. Kapcsolja be a főkapcsolót (47).
4. Kapcsolja be a kefemotor kapcsolót (48) és a tisztítószer kapcsolót (50), a jelzőfény kigyullad.
5. Kapcsolja be a vákuummotor kapcsolót (49), a jelzőfény kigyullad.
6. Szükség esetén állítsa be a vízszögár erősségét a gömbszelep (31) kézi elfordításával
7. Húzza meg az egyik vagy mindkét működtetőt (24), ekkor a kefe elkezd forogni, és a tisztítószer elkezd folyni. Mozgassa a berendezést és kezdje el a tisztítást.

MEGJEGYZÉS

Ha az akkumulátor jelzőfény (51) zöld, a berendezés használható. Amennyiben sárga vagy piros, az akkumulátorokat fel kell tölteni.



FIGYELEM!

A kefe felemelése előtt a kapcsoló (47) megnyomásával kapcsolja ki.



FIGYELEM!

Ha a nagyon agresszív padló vagy más ok miatt a berendezés abbahagyja a működést, a kefemotor és a vákuum jelzőfények a Kezelőpaneelen (46) párhuzamosan villognak. Ez azt jelenti, hogy a berendezés túlterhelt.

Kapcsoljon ki minden kapcsolót a Kezelőpaneelen (46).



FIGYELEM!

Az akkumulátorok sérülésének és az élettartamuk csökkenésének elkerülése érdekében ne használja a berendezést, ha az akkumulátorok lemerültek.

A BERENDEZÉS HASZNÁLATA UTÁN

Súrolás után a berendezéstől való távozás előtt végezze el az alábbiakat:

1. Vegye le a kefe-/tárcsatartót.
2. Szárítsa meg és szárítsa meg a tartályokat.
3. Végezze el a napi karbantartási eljárásokat (lásd: Karbantartás fejezet).
4. A berendezést tiszta és száraz helyen tárolja felemelt vagy eltávolított kefe-/tárcsatartóval és gumitörlővel.
5. Ha olyan helyen tárolja, amely hőmérséklete elérheti a fagypontot, bizonyosodjon meg arról, hogy tárolás előtt leengedett a berendezésből minden folyadékot. A fagyás által okozott károokra a garancia nem vonatkozik.

HA A BERENDEZÉST HUZAMOSABB IDEIG NEM HASZNÁLJA

Ha a berendezést 30 napnál tovább nem fogja használni, végezze el az alábbiakat:

1. Végezze el az "A berendezés használata után" bekezdésben szereplő lépéseket.
2. Csatlakoztassa le az akkumulátor csatlakozót.

KARBANTARTÁS

A helyes és rendszeres karbantartással meghosszabbíthatja a berendezés élettartamát és működtetési biztonságát. Az alábbi táblázat az ütemezett karbantartást ismerteti. A bemutatott időközök eltérhetnek a munkakörülményektől függően, ezekről a karbantartásért felelős személy dönt.



FIGYELMEZTETÉS

A karbantartási műveleteket kikapcsolt berendezés és lecsatlakoztatott akkumulátorok/akkumulátortöltő kábel mellett kell elvégezni. Figyelmesen olvassa el a Biztonság fejezetben szereplő utasításokat.

Minden ütemezett vagy kivételes karbantartási eljárást szakképzett személynek vagy hivatalos Szervizközpontnak kell elvégeznie.

Ez a Kézikönyv csak a legegyszerűbb és leggyakoribb karbantartási eljárásokat ismerteti.

Az Ütemezett karbantartás táblázatban szereplő egyéb karbantartási eljárásokért hivatkozzon a bármely Szervizközpontban megtekinthető Szervizelési kézikönyvre.

ÜTEMEZETT KARBANTARTÁS TÁBLÁZAT

Eljárás	Naponta, a berendezés használatát követően	Hetente	Félévente	Évente
Akkumulátor töltése				
Gumitörlő tisztítása				
Kefe tisztítása				
Tartály és vákuumrács tisztítása, kupaktömítés ellenőrzése				
Gumitörlő él ellenőrzése és cseréje				
Tisztítószer szűrő tisztítása				
Lefolyótömlő szűrő tisztítása				
Csavarok és anyacsavarok behúzásának ellenőrzése			(1)	
Forgórészek kenése			(1)	
Kefe-/tárcsatartó motor karbonkefe ellenőrzése vagy cseréje				(2)
Vákuumrendszer motor karbonkefe ellenőrzése vagy cseréje				(2)

(1) És az első 8 munkaórát követően.

(2) Ezt a karbantartási eljárást hivatalos Viper Szervizközpontnak kell elvégeznie.

AKKUMULÁTOR TÖLTÉSE



MEGJEGYZÉS

Az akkumulátorokat minden munkaciklus végén fel kell töltenie, vagy ha a sárga vagy piros jelzőfény (51) világít.



FIGYELEM!

Az akkumulátorok feltöltöttsége meghosszabbítja azok élettartamát.



FIGYELEM!

Ha a berendezés nincs felszerelve beépített akkumulátortöltővel, használjon a behelyezett akkumulátortípus töltésére alkalmas akkumulátortöltőt.



FIGYELMEZTETÉS!

Az akkumulátorok töltésére a Viper által jóváhagyott töltőt használjon.



FIGYELMEZTETÉS!

NEDVES elemek töltésekor legyen óvatos, mivel akkumulátor-folyadék szivárgás fordulhat elő. Az akkumulátor-folyadék rozsdásodik. Bőrrel vagy szemmel való érintkezéskor alaposan öblítse le/ki vízzel és forduljon orvoshoz.

1. Helyezze a töltőt és a berendezést jól szellőző helyre.
2. Kapcsolja ki a berendezést (47).
3. Vegye ki a segéd tartályt (2), ezzel elérhetővé téve az akkumulátor rekeszt.
4. Dugja a töltőkábelt földelt fali aljzatba (100 V~240 V).
Csatlakoztassa a töltőkábelt a berendezéshez.
5. A töltésjelző fény (30) kigyullad, jelezve, hogy a töltés folyamatban van, a zöld jelzőfény azt jelenti, hogy a töltés befejeződött.
6. A töltés befejezése után előbb húzza ki a töltőkábelt a fali aljzathoz, majd a berendezésből.
7. Helyezze vissza a segéd tartályt.



MEGJEGYZÉS

Az akkumulátortöltővel (29) kapcsolatos további információkért nézze meg a megfelelő bekezdést.

GUMITÖRLŐ TISZTÍTÁSA



MEGJEGYZÉS

A jó szárításhoz a gumitörlőnek tisztának, az élének pedig jó állapotban kell lenniük.



FIGYELEM!

Mivel éles törmelékek lehetségesek, azt javasoljuk, hogy a gumitörlő tisztításakor viseljen védőkesztyűt.

GUMITÖRLŐ ÉL ELLENŐRZÉSE ÉS CSERÉJE

1. Vegye le a gumitörlőt az előző bekezdésben leírtaknak megfelelően.
2. Ellenőrizze, hogy az elülső/hátsó törlő él nincs-e megrepedve, szükség esetén cserélje ki újra.
3. Csavarozza ki a hat anyacsavart (37) az élék leszereléséhez.
4. Ellenőrizze az elülső/hátsó él állapotát. Amennyiben munkára nem alkalmas, fordítsa meg vagy cserélje ki.
5. A gumitörlőt a kivétellel ellenkező sorrendben szerelje vissza.

KEFE/TÁRCSA TISZTÍTÁSA



FIGYELEM!

Mivel éles törmelékek lehetségesek, azt javasoljuk, hogy a kefe/tárcsa tisztításakor viseljen védőkesztyűt.

1. A Használat fejezetben ismertetettnek megfelelően vegye ki a kefét/tárcsát.
2. Tisztítsa és mossa meg a kefét/tárcsát vízzel és mosószerrel.
3. Ellenőrizze a kefe kopottságát; ha szükséges, cserélje ki.
4. Ellenőrizze a tárcsa elhasználódását; szükség esetén cserélje ki.

TARTÁLY/VÁKUUMRÁCS TISZTÍTÁSA ÉS A KUPAKTÖMÍTÉS ELLENŐRZÉSE



FIGYELEM!

Mivel éles törmelékek lehetségesek, azt javasoljuk, hogy a tartály és a vákuum/szívó egység tisztításakor viseljen védőkesztyűt.

1. Vigye a berendezést a kinevezett gyűjtőhelyre.
2. Kapcsolja ki a főkapcsolót (47).
3. Vegye ki a segéd tartályt (2), tisztítsa meg, öblítse ki és engedje le a tisztítószer/segéd tartályt.
4. Vegye ki a vákuumkészletet, a tömlőt, szűrőt, tisztítsa meg és helyezze vissza.
5. Ellenőrizze a segéd tartály kupaktömítő gyűrűt és a vákuum gumicsatlakozót (18) a két tartály között, hogy minden rendben van-e.



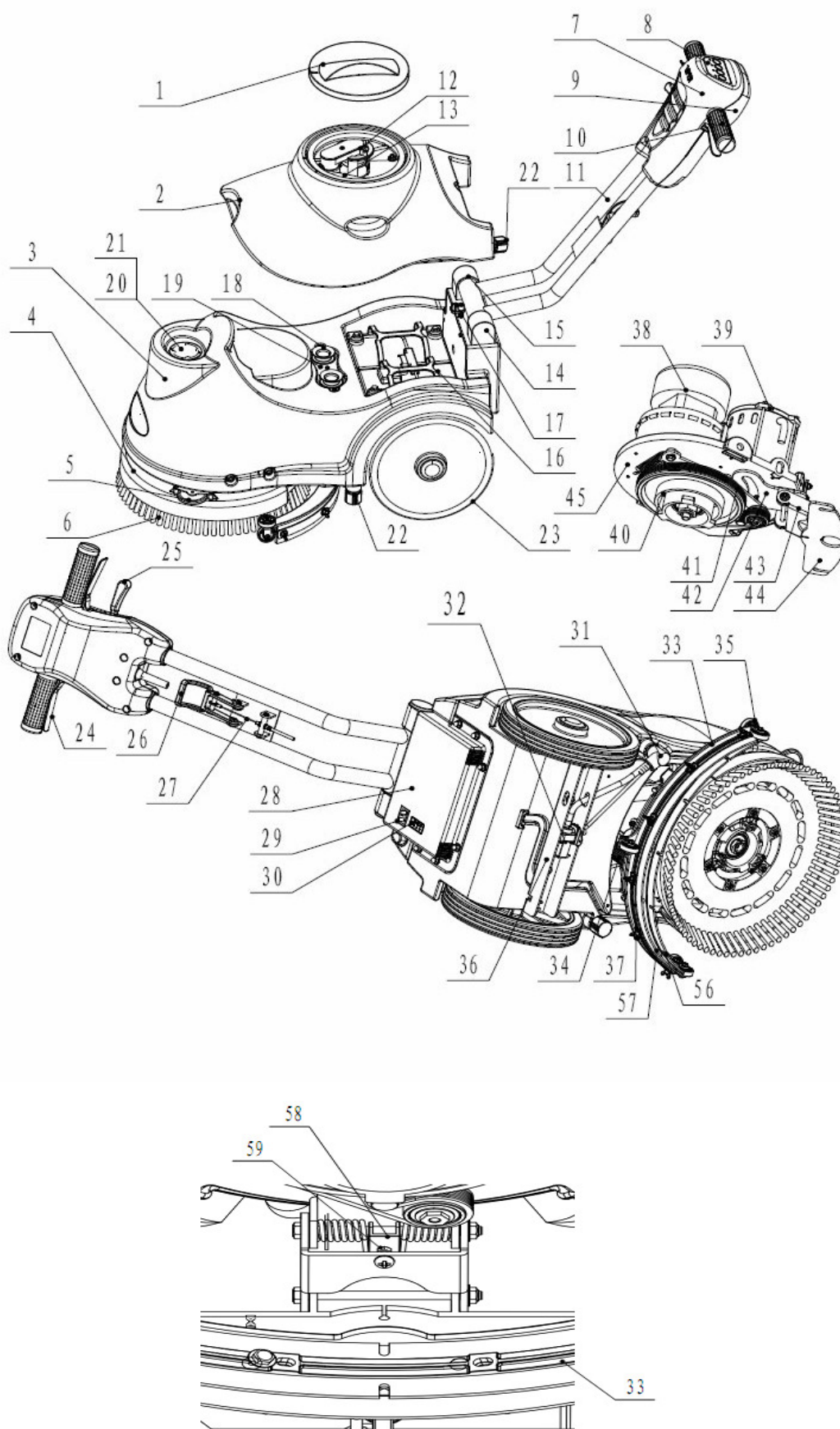
MEGJEGYZÉS

A segéd tartály tömítőgyűrűje és a két tartály közötti gumicsatlakozó segítségével a tartályban vákuum jön létre. Szükség esetén cserélje ki ezeket.

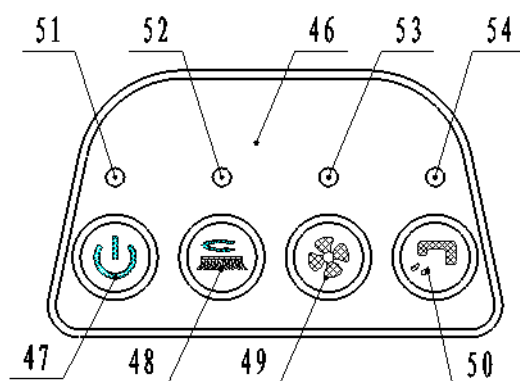
A BERENDEZÉS RÉSZEI

1. Segéd tartály kupak
2. Segéd tartály
3. Tisztítószer tartály
4. Kefevédő
5. Védőgörgők
6. Kefe
7. Elülső borító
8. Kezelőpanel
9. Hátsó borító
10. Gumifogantyú
11. Fogantyú vascső
12. Gumitörlő vákuumegység
13. Gumitörlő szívóegység
14. Bal pozicionálás
15. Jobb pozicionálás
16. Akkumulátorok
17. Retesz
18. Gumitömítés
19. Tömlőfogó
20. Bemenet
21. Tisztítószer szűrő
22. Tisztítószer tartály leeresztő
23. Fix tengelyű kerekek
24. Bal és jobb fogantyú
25. Fogantyú fordító kar
26. Gumitörlő emelőkar
27. Gumitörlő rugó

28. Áramkör
29. Töltő
30. Akkumulátor töltésjelző
31. Tisztítószer folyásszabályozó kar
32. Elektromágneses szelep
33. Gumitörlő
34. Gumitörlő cső
35. Gumitörlő kerekek
36. Tengely
37. Anyacsavar
38. Vákuumrendszer motor
39. Kefemotor
40. Hajtósíj
41. Síj
42. Gumitörlő forgólemez
43. Gumitörlő emelőlemez
44. Gumitörlő fixáló lemez
45. Motorfixáló lemez



Kezelőpanel



- | | |
|---|--|
| 46. Kezelőpanel | 51. Árammennyiség jelzőfény |
| 47. Főkapcsoló | 52. Kefemotor jelzőfény |
| 48. Kefemotor kapcsoló | 53. Vákuummotor jelzőfény |
| 49. Vákuummotor kapcsoló | 54. Szívó elektromágneses szelep jelzőfény |
| 50. Szívó elektromágneses szelep kapcsoló | |

MŰSZAKI ADATOK

Berendezés hossza*szélessége*magassága	770 x 500 x 550 mm
Tisztítószer tartály kapacitása	15 L
Segéd tartály kapacitása	15 L
Kerék átmérője	254 mm
Kefemotor adatok	24 V 250 W
Vákuummotor adatok	24 V 300 W
Elektromágneses szelep adatok	24 V
Maximális lejtés	2%
Zajszint	68 dBA
Akkumulátor adatok	(2x12 V) 24 V 35 Ah/20 h
Tápkábel hossza	/
Akkumulátor méretek	196 x 130 x 175 mm
Munkakapacitás, akár	1000 mm H2°
Tisztítási sebesség	750 m ² /óra
Gumitörlő szélessége	490 mm
Kefe átmérője	380 mm
Kefe rpm	150 rpm
Töltő	Bemenet 100-240 Vac, 50-60 HZ Kimenet 24Vdc, 5 A
Üzemi súly	60 kg
Teljes tömeg	65 kg
Doboz mérete	780x415x590MM

HIBAELHÁRÍTÁS

Hiba	Lehetséges ok	Megoldás
A berendezés nem kapcsol be, a jelzőfény (51) nem gyullad ki	Az akkumulátor csatlakozó ki van húzva	Csatlakoztassa
	Az akkumulátorok teljesen lemerültek	Töltse fel az akkumulátorokat
	Nincs tápellátás	Csatlakoztassa
A berendezés nem működik, a jelzőfény (51) piros	Az akkumulátorok lemerültek	Töltse fel az akkumulátorokat
A kefemotor nem működik, a kefe jelzőfény (52) nem világít	A PCB vagy a panel sérült	Cserélje ki a PCB-t vagy a panelt
A kefemotor nem működik, a kefe jelzőfény (52) villog	A motor túlterhelt	Használjon a tisztítandó padlóhoz való, kevésbé agresszív keféket
	Idegen anyagok (elakadás, fonal, stb.) akadályozzák a kefe forgását	Tisztítsa meg a kefét
A vákuumrendszer motor nem működik, a vákuummotor jelzőfény (53) nem világít	A PCB vagy a panel sérült	Cserélje ki a PCB-t vagy a panelt
A vákuumrendszer motor nem működik, a vákuummotor jelzőfény (53) villog	A vákuumrendszer motor túlterhelt	Ellenőrizze a vákuumrendszer motort
A szennyvíz szívás elégtelen	A segéd tartály megtelt	Üritse ki a segéd tartályt
	A tömlő levált a gumitörlőről	Csatlakoztassa.
	A vákuumegység eldugult	Tisztítsa meg vagy ellenőrizze
	A gumitörlő mocskos, vagy a gumitörlő élek elhasználódtak vagy sérültek	Tisztítsa meg és ellenőrizze a gumitörlőt
	A segéd tartály nincs jól a helyén	Zárja be a reteszt (17)
	A tartályfedél nem zárul rendesen, vagy a tömítés sérült	Zárja le jól a fedelet vagy cserélje ki a tömítést
	A gumitörlő beállító (58) nincs megfelelő pozícióban	Állítsa a csavaranyát (59) megfelelő pozícióba
A tisztító szer adagolása elégtelen.	A tisztító szer tartály üres	Töltse fel vízzel
	A tisztító szer adagoló szelep (31) el van dugulva	Tisztítsa meg a szelepet
	A tisztító szer szennyezett	Tisztítsa meg a tisztító szer
A gumitörlő nyomot hagy maga után a padlón.	A gumitörlő élei alatt szennyeződés van	Vegye ki a szennyeződést
	A gumitörlő éle elhasználódott, érdes vagy törött	Cserélje ki az éleket

MĂSURI DE SIGURANȚĂ

Acest aparat are ca scop utilizarea comercială. El este construit pentru a fi folosit în spații interioare și Nu va fi folosit în alt mod. Se va utiliza numai cu accesoriile recomandate.

Toți operatorii vor citi, înțelege și aplica următoarele măsuri de siguranță:

1) NU UTILIZAȚI APARATUL:

Dacă nu aveți pregătirea și autorizația necesare.

Dacă nu ați citit și înțeles manualul de utilizare.

În zone inflamabile sau cu risc de explozie.

Dacă nu există condiții adecvate de utilizare.

În spații exterioare.

2) ÎNAINTE DE UTILIZAREA APARATULUI:

Asigurați-vă că toate dispozitivele de siguranță sunt poziționate în locul corespunzător și sunt funcționale.

3) LA UTILIZAREA APARATULUI:

Acționați cu atenție pe suprafețele înclinate și alunecoase.

Respectați toate instrucțiunile de siguranță.

Fiți foarte atenți când utilizați aparatul în starea de mers invers.

Înainte de utilizarea aparatului, raportați și reparați orice defecțiune a acestuia.

4) DACĂ NU MAI UTILIZAȚI APARATUL SAU CÂND ACESTA NECESITĂ REPARAȚII:

Opriti aparatul la nivelul solului.

Deconectați aparatul.

5) LA REPARAREA APARATULUI:

Citiți cu atenție manualul de utilizare înainte să utilizați sau să reparați aparatul.

Utilizați piese de schimb furnizate sau aprobate de producător.

Asigurați aparatul cu dispozitive de blocare pentru roți înainte să îl ridicați pe cric.

Utilizați un cric sau elevator aprobat pentru a ridica aparatul în condiții de siguranță.

LA REPARAREA APARATULUI: (continuare)

Înainte de a lucra cu aparatul, deconectați bateriile.

Purtați mănuși de protecție atunci când utilizați bateriile sau a cablurile acestora.

Evitați contactul cu acidul de baterie.

Evitați piesele în mișcare, nu purtați îmbrăcăminte largă când reparați aparatul.



AVERTISMENT !

Bateriile emană hidrogen gaz. Această substanță poate provoca explozii sau incendii. Evitați apropierea de scânteii sau flacără deschisă! La încărcare, mențineți deschis compartimentul bateriei.



AVERTISMENT !

Materialele inflamabile pot provoca explozii sau incendii. Nu utilizați materiale inflamabile în rezervoare.



AVERTISMENT !

Materialele inflamabile sau metalele reactive pot provoca explozii sau incendii. Nu le transportați.

CONFIGURAREA ȘI INSTALAREA APARATULUI

DESPACHETAREA APARATULUI

Verificați ambalajul de carton, pentru a nu fi deteriorat. Anunțați imediat curierul dacă există vreo deteriorare.

Verificați conținutul coletului, pentru a vă asigura că sunt incluse următoarele articole:

1. Aparat
2. Baterii (x2)
3. Ansamblu racletă cu muchie de cauciuc
4. Manual de utilizare pentru aspirator regim uscat cu perie
5. Manual pentru încărcătorul electric al bateriei (dacă există)
6. cablu de conexiune pentru baterie și încărcător (dacă există)
7. dispozitiv de acționare perie sau burete (dacă există)

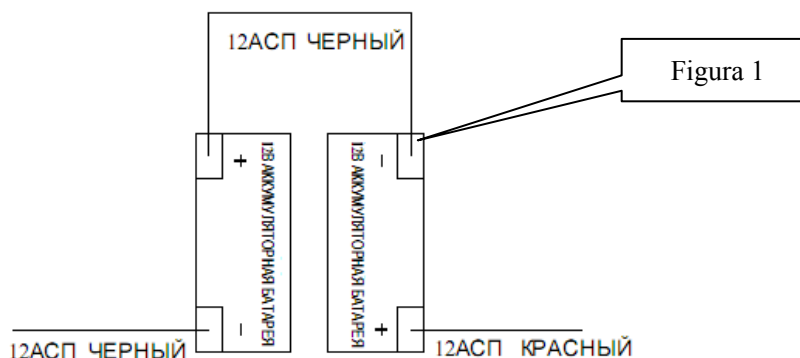
DEMONTAREA ȘI MONTAREA BATERIEI

1. Deconectați întrerupătorul principal (47).
2. Scoateți rezervorul de recuperare (2) conform paragrafului relevant.
3. Desfaceți șurubul compartimentului pentru baterii (16), apoi îndepărtați sau schimbați-l.
4. Montați bateriile pe aparat, conform schemei de mai jos.
5. Montați rezervorul de recuperare.



AVERTISMENT

Nu conectați + la + sau - la - când demontați sau montați bateriile. Este foarte periculos.



Încărcarea bateriilor

Încărcați bateriile (consultați procedura din capitolul Întreținere).

CONFIGURAREA APARATULUI

Verificări înainte de utilizare

1. Măturați sau ștergeți cu mopul suprafața care trebuie curățată.
2. Verificați dacă racleta de cauciuc este bine montată.
3. Coborâți nivelul racletei (33) cu ajutorul mânerului (26).
4. Verificați ca bateriile să fie încărcate complet (consultați ÎNCĂRCAREA BATERIILOR)
5. Verificați dacă peria/buretele sunt bine montate.

Montarea și demontarea dispozitivului de acționare a periei/buretelui



NOTĂ

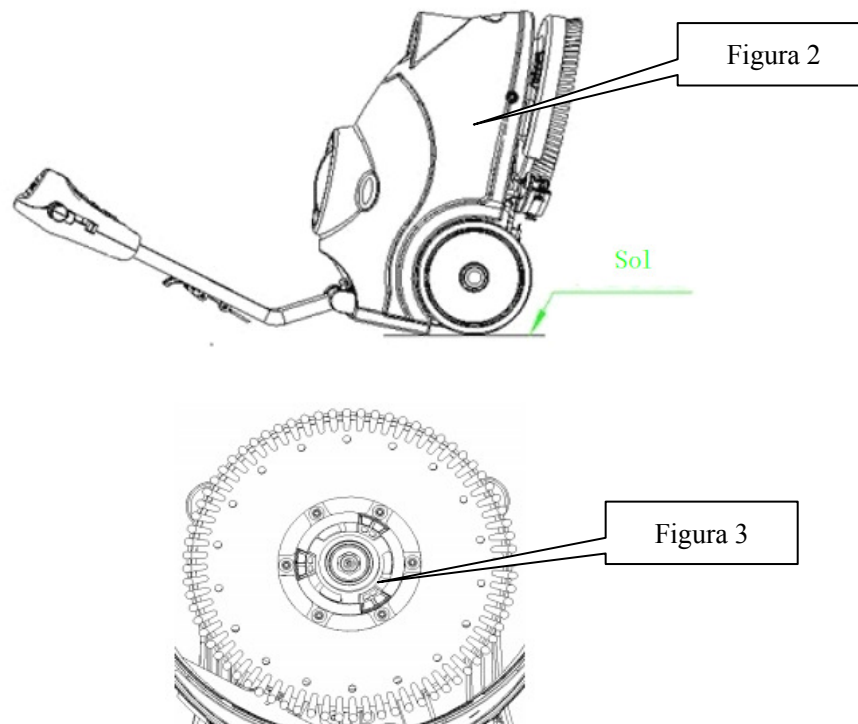
Montarea se va face manual. Dacă montarea se face automat, se va utiliza o perie cu ax.
Înainte să demontați peria, asigurați-vă că rezervoarele sunt goale.

1. Deconectați aparatul.
2. Așezați aparatul în poziția indicată în figura 2, acționați în sus mânerul de ridicare (26) pentru a ridica racleta cu cauciuc (33).
3. Montați peria sau buretele pe axul roții de acționare și apoi rotiți în sensul invers acelor de ceasornic până se blochează, așa cum este indicat în figura 3.
4. Pentru a demonta peria/buretele, rotiți în sensul acelor de ceasornic până când se eliberează din axul roții de acționare.



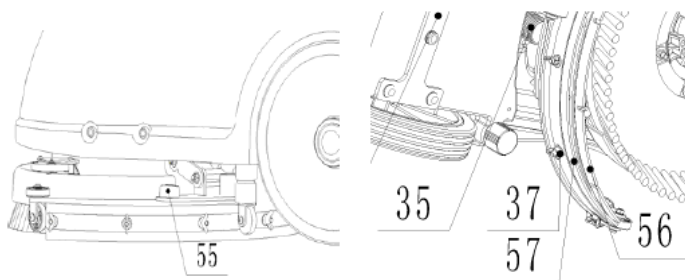
AVERTISMENT

Nu porniți aparatul dacă se află în poziția reprezentată mai jos. În caz contrar, peria/buretele se va desprinde sau vă veți răni.



Montarea racletei

1. Deconectați aparatul (47).
2. Trageți în jos mânerul de ridicare a racletei (26) pentru a așeza racleta în poziția de "lucru".
3. Coborâți aparatul în poziția indicată în figura 2.
4. Slăbiți cele două butoane (55) de pe racletă și glisați racleta în canelurile suporturilor pentru racletă
Strângeți bine butoanele (la demontare, deșurubați butoanele).
5. Pentru a înlocui racleta față/spate (56/57), deșurubați piulița-fluture (37).



Umplerea rezervorului pentru soluție



NOTĂ

Aparatul poate fi umplut cu furtunul sau cu găleata. Nu scoateți filtrul pentru soluție (21) în timpul umplerii.

1. Umpleți rezervorul pentru soluție cu apă (3) din orificiul de admisie (20) cu furtunul sau găleata
2. Nu umpleți complet rezervorul pentru soluție, păstrați câțiva centimetri față de margine.
3. Temperatura apei nu trebuie să depășească 40°C.

ATENȚIE !

Folosiți numai detergenți cu spumare redusă și neinflamabili, dedicați aplicațiilor realizate cu peria automată

Golirea rezervorului pentru soluție



NOTĂ

Rezervorul pentru soluție trebuie golit și curățat după încheierea fiecărei utilizări a periei.

1. Desfaceți capacul de evacuare (22) din partea de jos a rezervorului pentru soluție. Soluția/apa va curge liber într-o găleată sau sifon de pardoseală.
2. Clătiți rezervorul pentru soluție cu apă curată după fiecare utilizare. Acest lucru va preveni acumularea de substanțe chimice și înfundarea furtunurilor pentru soluție
3. Înșurubați capacul de evacuare (22).

Golirea rezervorului de recuperare



NOTĂ

Rezervorul de recuperare trebuie golit și curățat după încheierea fiecărei utilizări a periei.

1. Închideți dispozitivul de blocare (17) al rezervorului de recuperare, scoateți rezervorul de recuperare de pe aparat prin prinderea celor două caneluri ale rezervorului. Deschideți capacul (1) și răsturnați rezervorul de recuperare pentru ca apa murdară să se scurgă într-un recipient sau desfaceți capacul de evacuare (22) pentru ca apa să curgă într-o găleată.
2. Curățați și clătiți rezervorul de recuperare cu apă curată după fiecare utilizare.
3. Puneți la loc pe aparat rezervorul de recuperare și răsuciți dispozitivul (17) pentru a bloca rezervorul.

UTILIZAREA APARATULUI

1. Potrivii mânerul la o înălțime confortabilă, apăsând maneta (25).
2. Coborâți nivelul racletei (33) înspre podea, trăgând în jos de mecanismul de ridicare (26).
3. Conectați întrerupătorul principal (47).

4. Cuplați comutatorul motorului periei (48) și comutatorul pentru soluție (50), lumina indicatoare se va aprinde.
5. Cuplați comutatorul motorului aspiratorului (49), lumina indicatoare se va aprinde.
6. Dacă este necesar, reglați debitul de apă prin rotirea manuală a robinetului cu bilă (31)
7. Acționați unul sau ambele manete de operare (24), apoi peria va începe să se rotească, iar soluția va începe să curgă. Deplasați aparatul și începeți curățenia.

NOTĂ

Dacă lumina indicatoare a bateriei (51) este verde, aparatul poate fi folosit. Dacă aceasta este galbenă sau roșie, bateriile trebuie încărcate.



ATENȚIE !

Înainte să ridicați peria, opriți-o prin apăsarea butonului (47).



ATENȚIE !

Atunci când curățați podelele extrem de dificile sau când există alte probleme de funcționare a aparatului, indicatoarele pentru motorul periei și aspirator de pe panoul de comandă (46) vor clipi simultan. Acest lucru înseamnă că aparatul este supraîncărcat. Vă rugăm să deconectați toate întrerupătoarele de pe panoul de comandă (46).



ATENȚIE !

Nu utilizați aparatul cu bateriile descărcate, pentru a evita deteriorarea bateriilor și scurtarea duratei de serviciu a acestora.

DUPĂ UTILIZAREA APARATULUI

După spălare și înainte să opriți aparatul, vă rugăm să efectuați acțiunile de mai jos:

1. Îndepărtați suportul de perie/burete.
2. Uscați-le și uscați și rezervoarele cu lichid integral.
3. Respectați procedurile de întreținere zilnică (consultați capitolul despre întreținere)
4. Depozitați aparatul într-un loc curat și uscat, cu suportul pentru perie/burete și raleta ridicat sau înlăturat.
5. Dacă îl depozitați într-o zonă în care se pot atinge temperaturi de îngheț, asigurați-vă că ați golit aparatul de toate lichidele înainte de depozitare. Orice defecte cauzate de temperaturile de îngheț nu vor fi acoperite de garanție.

NU UTILIZAȚI APARATUL PENTRU UN TIMP ÎNDELUNGAT

Dacă aparatul nu va fi folosit mai mult de 30 de zile, vă rugăm să efectuați următoarele acțiuni:

1. Efectuați procedurile reprezentate în paragraful "După ce ați utilizat aparatul".
2. Deconectați mufa bateriei.

ÎNȚREȚINERE

Durata de serviciu a aparatului și siguranța maximă în operare sunt asigurate de lucrări de întreținere corecte și regulate. Schema următoare prezintă lucrările programate de întreținere. Intervalele reprezentate pot varia, în funcție de condiții de lucru speciale, care vor fi definite de persoana responsabilă cu lucrările de întreținere.



AVERTISMENT

Procedurile de întreținere trebuie efectuate cu aparatul oprit și cu cablul încărcătorului bateriilor/bateriei deconectat. Mai mult, citiți cu atenție instrucțiunile din capitolul "Siguranța".

Toate procedurile planificate sau extraordinare de întreținere trebuie efectuate de personal calificat sau

MANUAL DE UTILIZARE

de un Centru de service autorizat.

Acest manual descrie numai procedurile de întreținere cele mai simple și mai comune.

Pentru alte proceduri de întreținere care apar în Tabelul lucrărilor programate de întreținere, consultați Manualul de reparații, care poate fi găsit la orice Centru de service.

TABELUL LUCRĂRILOR DE ÎNTREȚINERE PROGRAMATE

Procedura	Zilnic, după utilizarea aparatului	Săptămânal	La fiecare șase luni	anual
Încărcarea bateriilor				
Curățarea racletei				
Curățarea periei				
Curățarea grilajului de aspirare și a rezervorului cu flotor, verificarea garniturii capacului				
Verificarea și înlocuirea lamei racletei				
Curățarea rezervorului pentru soluție				
Curățarea fără apă a filtrului pentru furtun				
Verificarea fixării șurubului și a piuliței			(1)	
Lubrifierea pieselor rotative			(1)	
Verificarea sau înlocuirea periei de cărbune a motorului suportului de perie/burete				(2)
Verificarea sau înlocuirea periei de cărbune a motorului sistemului de aspirare				(2)

(1) Și după primele 8 ore de funcționare.

(2) Această procedură de întreținere trebuie efectuată de un Centru de service Viper autorizat.

ÎNCĂRCAREA BATERIILOR



NOTĂ

Încărcați bateriile când se aprinde indicatorul galben sau cel roșu (51) sau la sfârșitul fiecărui ciclu de lucru.



ATENȚIE !

Dacă veți păstra bateriile încărcate, ele vor avea o durată de serviciu mai mare.



ATENȚIE !

Dacă aparatul nu este dotat cu un încărcător de baterie încorporat, alegeți un încărcător extern corespunzător tipului de baterii instalate.



AVERTISMENT !

Utilizați încărcătorul aprobat de Viper pentru încărcarea bateriei



AVERTISMENT !

Fiiți foarte atenți când încărcați baterii UMEDE, deoarece pot exista scurgeri de lichid din baterie. Lichidul din baterie este coroziv. Dacă intră în contact cu pielea sau cu ochii, clătiți bine cu apă și consultați un medic.

3. Așezați încărcătorul și aparatul într-un spațiu bine ventilat.
4. Deconectați aparatul (47).
5. Îndepărtați rezervorul de recuperare (2), pentru a expune compartimentul pentru baterii.
6. Introduceți cablul încărcătorului într-o priză de perete cu împământare (100V~240V).
Conectați cablul încărcătorului la priza aparatului.
7. Lumina indicatoare pentru încărcare (30) aprinsă indică faptul că bateria se încarcă, lumină verde semnifică faptul că bateria s-a încărcat.
8. La terminarea încărcării, prima dată scoateți cablul încărcătorului din priza de perete și apoi din aparat.
9. Puneți la loc rezervorul de recuperare.



NOTĂ

Pentru mai multe informații cu privire la utilizarea încărcătorului bateriei (29), consultați paragraful relevant.

CURĂȚAREA RACLETEI



NOTĂ

Racleta trebuie să fie curată și lamelele trebuie să fie în stare bună de funcționare, pentru a obține un proces de uscare optim.



ATENȚIE!

Este recomandat să purtați mănuși de protecție la curățarea racletei, deoarece pot exista multe reziduuri ascuțite.

VERIFICAREA ȘI ÎNLOCUIREA LAMELELOR RACLETEI

1. Îndepărtați racleta, așa cum s-a arătat în paragraful anterior.
2. Verificați vizual dacă lamelele față/spate sunt fisurate și înlocuiți-le cu unele noi, dacă este necesar.
3. Deșurubați cele șase piulițe-fluturi (37) pentru a îndepărta lamelele.
4. Verificați integritatea lamelelor față/spate, să nu existe semne de fisuri și uzură. Dacă nu sunt corespunzătoare, inversați-le sau înlocuiți-le.
5. Montați racleta în ordinea inversă demontării.

CURĂȚARE DISPOZITIV DE ACȚIONARE PERIEI /BURETE



ATENȚIE!

Este recomandat să purtați mănuși de protecție la curățarea dispozitivului de acționare a periei/buretelui, deoarece pot exista reziduuri ascuțite.

1. Îndepărtați peria/buretele așa cum s-a arătat în capitolul „Utilizare”.
2. Curățați și spălați peria/buretele cu apă și detergent.
3. Verificați integritatea și gradul de uzură ale perișorilor; dacă este necesar, înlocuiți peria.
4. Verificați gradul de uzură al buretelui; dacă este necesar, înlocuiți dispozitivul de acționare al buretelui.

CURĂȚAREA GRILAJULUI CU FLOTOR AL REZERVORULUI/ASPIRATORULUI ȘI VERIFICAREA GARNITURII CAPACULUI



ATENȚIE !

Este recomandat să purtați mănuși de protecție la curățarea rezervorului și a ansamblului de aspirare, deoarece pot exista reziduuri ascuțite.

1. Mutați aparatul în zona stabilită pentru eliminare.
2. Deconectați întrerupătorul principal (47).
3. Îndepărtați rezervorul de recuperare (2), curățați și clătiți atât rezervorul pentru soluție, cât și pe cel de recuperare și lăsați-le la scurs.
4. Îndepărtați toate ansamblurile de aspirare, garnitura, filtrul, curățați-le și instalați-le la loc.
5. Verificați integritatea garniturii de etanșare a capacului rezervorului de recuperare și a racordului de cauciuc al ansamblului de aspirare (18) dintre cele două rezervoare.



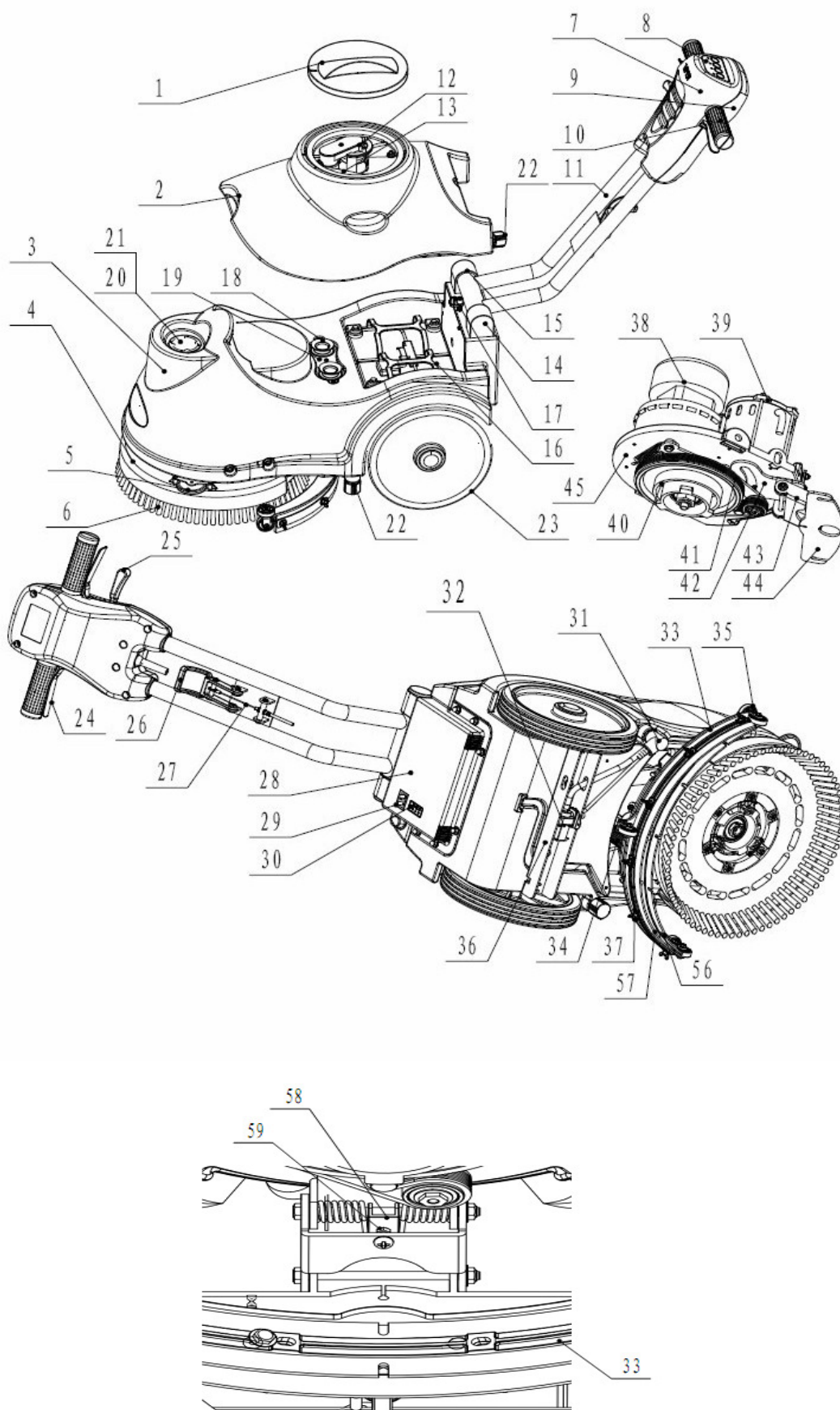
NOTĂ

Garnitura de etanșare a rezervorului de recuperare și racordul de cauciuc dintre cele două rezervoare creează vid în rezervor. Dacă este necesar, înlocuiți-le.

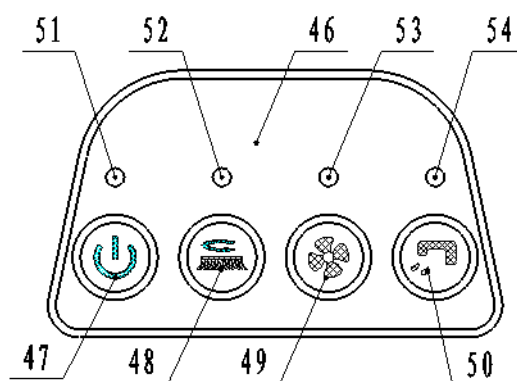
STRUCTURA APARATULUI

1. Capacul rezervorului de recuperare
2. Rezervorul de recuperare
3. Rezervorul pentru soluție
4. Capacul periei
5. Role de protecție
6. Perie
7. Carcasa mânerului frontal
8. Panou de comandă
9. Carcasa mânerului din partea din spate
10. Mâner de cauciuc
11. Mâner de fier
12. Ansamblu de aspirare racletă
13. Ansamblu de absorbție racletă
14. Poziționare la stânga
15. Poziționare la dreapta
16. Baterii
17. Dispozitiv de blocare
18. Garnitură de cauciuc
19. Racord limită furtun
20. Gura de admisie
21. Filtru pentru soluție
22. Evacuare rezervor pentru soluție
23. Roți pe ax fix
24. Mâner stânga și dreapta
25. Manetă rotativă
26. Manetă de ridicare racletă
27. Cablu racletă
28. Cutie pentru circuite electronice
29. Încărcător

30. Indicator încărcător baterie
31. Manetă de control debit soluție
32. Supapă electromagnetică
33. Racletă
34. Furtun racletă
35. Rotile racletă
36. Butuc
37. Piuliță-fluture
38. Motor sistem de aspirare
39. Motor perie
40. Cureaua de transmisie
41. Cureaua
42. Placă de rotire racletă
43. Placă de ridicare racletă
44. Placă de prindere racletă
45. Placă de prindere motor



Panoul de comandă



- 46. Panou de comandă
- 47. Întrerupător principal
- 48. Întrerupător motor perie
- 49. Întrerupător motor de aspirare
- 50. Întrerupător supapă electromagnetică de absorbție
- 51. Indicator cantitate de electricitate
- 52. Indicator motor perie
- 53. Indicator motor de aspirare
- 54. Indicator supapă electromagnetică de aspirare

DATE TEHNICE

Lungime*lățime*înălțime aparat	770 x 500 x 550 MM
Capacitatea rezervorului pentru soluție	15L
Capacitatea rezervorului de recuperare	15L
Diametru roată	254 MM
Date despre motorul periei	24V 250W
Date despre motorul de aspirare	24V 300W
Date despre supapa electromagnetică	24V
Unghi de înclinare maxim	2%
Nivel de zgomot	68 dBA
Date despre baterii	(2 X 12V) 24V 35Ah/20h
Lungimea cablului de alimentare	/
Specificații baterii	196 x 130 x 175mm
Capacitate de lucru de până la	1000 mm H ₂ O
Randamentul procesului de curățare	750 m ² /oră
Lățimea racletei	490 mm
Diametru perie	380 mm
Turație perie	150 rpm
Încărcător	Putere consumată 100-240 Vca, 50-60HZ Putere 24Vcc, 5A
Greutate de operare	60 kg
Greutate de brută	65 kg
Specificații colet	780x415x590MM

DETECTAREA DEFECȚIUNILOR TEHNICE

Problema	Cauză posibilă	Remediu
Aparatul nu funcționează, lumina indicatoare (51) nu se aprinde	Mufa bateriei este deconectată	Conectați mufa
	Bateriile sunt complet descărcate	Încărcați bateriile
	Cablul de alimentare este deconectat de la sursă	Conectați cablul
Aparatul nu funcționează, lumina indicatoare (51) este roșie	Bateriile sunt descărcate	Încărcați bateriile
Motorul periei nu funcționează, lumina indicatoare a periei (52) nu se aprinde	Placa de circuite imprimate sau tastatura este stricată	Schimbați placa sau tastatura
Motorul periei nu funcționează, lumina indicatoare a periei (52) clipește	Motorul electric este supraîncărcat	Utilizați perii mai puțin dure, adecvate tipului de pardoseală care trebuie curățată
	Există corpuri străine (fire încurcate, etc.) care împiedică rotația periei	Curățați axul periei
Motorul sistemului de aspirare nu funcționează, lumina indicatoare a motorului de aspirare (53) nu se aprinde	Placa de circuite imprimate sau tastatura este defectă	Schimbați placa sau tastatura
Motorul sistemului de aspirare nu funcționează, lumina indicatoare a periei (53) clipește	Motorul sistemului de aspirare este supraîncărcat	Verificați motorul sistemului de aspirare
Puterea de aspirare a apei murdare este insuficientă	Rezervorul de recuperare este plin.	Goliți rezervorul de recuperare.
	Furtunul nu este conectat la racletă	conectați furtunul
	Ansamblul de aspirare este înfundat	Curățați sau verificați ansamblul
	Racleta este murdară sau lamelele racletei sunt uzate sau deteriorate	Curățați și verificați racleta
	Rezervorul de recuperare nu este închis	Închideți dispozitivul de blocare (17)
	Capacul rezervorului nu este bine închis sau garnitura este deteriorată	Închideți bine capacul sau înlocuiți garnitura
	Piesa de ajustare Squeegee nu este stabilită în poziția corectă	Ajustați piulița-fluture (59) în poziția corectă.
Debitul de soluție este insuficient.	Soluția s-a terminat	Umpleți cu apă
	Supapa de control al debitului de soluție (31) este blocată	Curățați supapa
	Soluția este murdară	Curățați soluția
Racleta lasă urme pe pardoseală.	Există resturi sub lamelele racletei	Scoateți resturile
	Lamelele racletei sunt uzate, ciobite sau rupte	Înlocuiți lamelele

МЕРЫ ПРЕДОСТОРОЖНОСТИ

Устройство предназначено для коммерческого использования. Оно сконструировано для использования в закрытых помещениях и не предназначено ни для какого другого вида эксплуатации. Использовать только с рекомендованными комплектующими.

Всем работникам необходимо прочитать, понять и в дальнейшем выполнять меры предосторожности:

1) НЕ РАБОТАЙТЕ С УСТРОЙСТВОМ:

- При отсутствии специальной подготовки и авторизации.
- Если вы не ознакомились с инструкцией пользователя.
- В районах с горючими и легковоспламеняющимися веществами.
- В неверных условиях.
- Вне помещений.

2) ПЕРЕД ЗАПУСКОМ УСТРОЙСТВА:

Убедитесь, что все предохраняющие комплектующие установлены и работают правильно.

3) ПРИ ЭКСПЛУАТАЦИИ:

- Работайте осторожно на скользких и наклонных поверхностях.
- Следите за исполнением техники безопасности.
- Будьте осторожны при обратном ходе устройства.
- Производите все ремонтные работы до следующего запуска устройства.

4) ПЕРЕД ТЕМ, КАК ОСТАВИТЬ УСТРОЙСТВО БЕЗ ПРИСМОТРА ИЛИ ОТДАТЬ ЕГО В РЕМОНТ:

- Поставьте прибор на ровную поверхность.
- Отключите прибор.

5) ПРИ РЕМОНТЕ УСТРОЙСТВА:

- Внимательно прочитайте руководство пользователя перед использованием или ремонтом прибора.
- Используйте только комплектующие поставщика.
- Поставьте опоры под колесики устройства.
- Используйте надежный домкрат для поднятия прибора.

ПРИ СЕРВИСНЫХ РАБОТАХ:

- Вытаскивайте батареи до начала сервисных работ.
- При работе с батареями или кабелями одевайте перчатки.
- Избегайте любого контакта с кислотой из батарей.
- Будьте аккуратны с движущимися частями прибора, концы одежды не должны свисать при работе с прибором.



ПРЕДУПРЕЖДЕНИЕ !

Батарейки выделяют водород. Утечка этого газа может вызвать взрыв или возгорание. Не работайте вблизи искр или открытого огня! При зарядке оставляйте отсек для батарей открытым.



ПРЕДУПРЕЖДЕНИЕ !

Легко воспламеняющиеся средства могут вызвать взрыв или возгорание. Не используйте легко воспламеняющиеся средства при работе с прибором.



ПРЕДУПРЕЖДЕНИЕ !

Металлы могут вступать в реакцию с воспламеняющимися материалами. Не работайте на таких поверхностях.

УСТАНОВКА&НАСТРОЙКА ПРИБОРА

СОСТАВНЫЕ ЧАСТИ

Убедитесь, что упаковка прибора не повреждена. Сообщите об имеющихся повреждениях курьеру.

Проверьте содержимое упаковки на предмет наличия следующих предметов:

1. Прибор
2. Батареи (x2)
3. Набор для установки ракелей
4. Руководство пользователя
5. Руководство по зарядке батарей (при наличии)
6. Провода для отсека батарей и зарядного устройства (при наличии)
7. Устройство для кисточки или подушечки (при наличии)

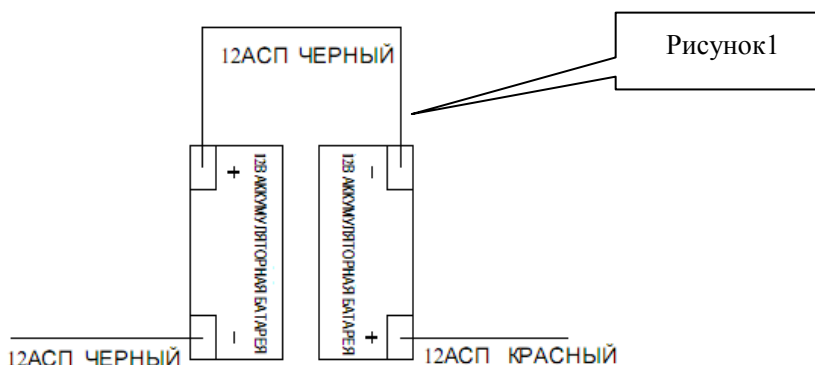
ЗАМЕНА БАТАРЕЙ

1. Отключите питание (47).
2. Отсоедините резервуар утилизации (2), как показано в соответствующем параграфе.
3. Раскрутите болт отсека батарей (16), затем удалите батареи или замените их.
4. Установите новые батареи в соответствии с рисунком ниже.
5. Установите резервуар утилизации.



ПРЕДУПРЕЖДЕНИЕ

Не подсоединяйте⁺ к+, или - к-, при установке батарей. Это может представлять опасность.



Зарядка батарей

Зарядите батареи (процедура описана в главе Уход).

НАСТРОЙКА ПРИБОРА

Проверка перед началом работы

1. Подметите или сотрите пыль с обрабатываемой поверхности.
2. Проверьте правильность установки ракелей.
3. Опустите ракель (33) с помощью (26).
4. Проверьте, что батарея полностью заряжена. (См. ЗАРЯДКА БАТАРЕИ)
5. Проверьте правильность установки щетки/подушечки.

Установка и замена щетки/подушечки



ПРИМЕЧАНИЕ

Только установка вручную. Для автоматической установки необходимо специальное приспособление.

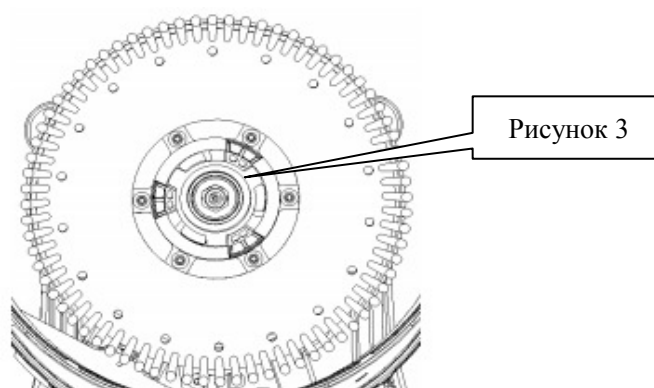
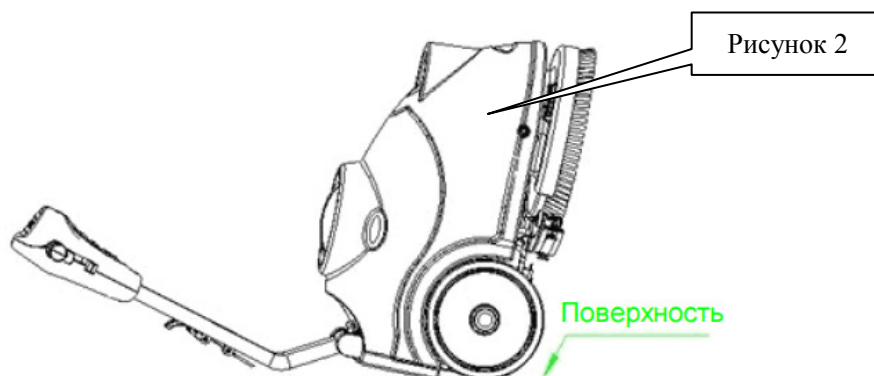
Перед отсоединением кисти убедитесь, что резервуары пусты.

1. Отключите устройство.
2. Положите прибор в позицию, показанную на рисунке 2, потяните за рычаг подъема (26) для поднятия ракеля (33).
3. Поднимите щетку или подушечку на центр и поверните против часовой стрелки до щелчка, как показано на рисунке 3.
4. Для разборки системы щетки/подушечки, поверните щетку/подушечку по часовой стрелке до тех пор, пока она не отсоединится.



ПРЕДУПРЕЖДЕНИЕ

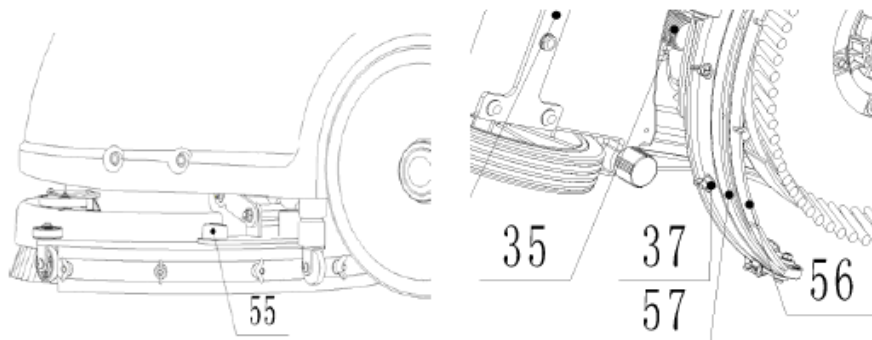
Не включайте прибор в таком положении. В этом случае щетка/подушечка могут привести к травме.



Установка ракелей

1. Отключите прибор (47).
2. Потяните вниз рычаг опускания ракеля (26) для приведения ракелей в “рабочее” положение.

3. Положите прибор в позицию показанную на рисунке 2.
4. Ослабьте две ручки (55) на ракеле и вставьте его в специальные слоты в скобах. Зафиксируйте ручки (при разборке необходимо их ослаблять).
5. Для замены переднего/заднего ракеля (56/57), открутите гайку (37).



Наполнение резервуара с раствором



ПРИМЕЧАНИЕ

Можно наполнять резервуары с помощью трубки или из ведра. Не убирайте фильтр (21) при наполнении.

1. Заполните резервуар для раствора водой (3) через входное отверстие (20) с помощью ведра или трубки.
2. Не заполняйте резервуар полностью, от края должно оставаться несколько сантиметров.
3. Температура воды не должна превышать 40С.



ПРЕДУПРЕЖДЕНИЕ!

Используйте невоспламеняющиеся слабо пенящиеся средства, предназначенные для такого рода приборов.

Опустошение резервуара с раствором



ПРИМЕЧАНИЕ

После каждого использования опустошайте и очищайте резервуар для растворов.

1. Unscrew the drain cap (22) on the bottom of solution tank. The solution/water will flow freely into a bucket or floor drain.
2. Rinse the solution tank with clean water after every use. This will help prevent chemical
3. Screw up the drain cap (22).

Recovery tank draining



NOTE

Recovery tank should be drained and cleaned after each scrubber operation is completed.

1. Поверните фиксатор блокировки (17) резервуара утилизации, за ручки вытащите из прибора сам резервуар. Откройте крышку (1) и переверните резервуар для того, чтобы грязная вода стекла в контейнер, или открутите крышку (22) для вывода грязной воды в ведро.

2. После каждого использования очищайте резервуар утилизации.
3. Вставьте резервуар обратно и зафиксируйте его (17) с помощью блокировки.

ОПЕРАЦИЯ МАШИНЫ

1. Установите ручку на удобную высоту с помощью нажатия рычага (25).
2. Опустите ракели (33) на пол с помощью механизма опускания (26).
3. Включите питание (47).
4. Включите двигатель щеток (48) и подачу раствора (50), подсветится индикатор.
5. Включите вакуумный режим (49), подсветится индикатор.
6. Если необходимо, отрегулируйте подачу воды вручную с помощью клапана (31).
7. Потяните оба триггера (24), затем включите щетки, будет подаваться очистительное средство. Передвигайте устройство и очищайте поверхность.

ПРИМЕЧАНИЕ

Если индикатор батареи (51) горит зеленым, устройство готово к использованию.

Если индикатор желтый или красный, батарею необходимо зарядить.



ОСТОРОЖНО!

Перед подъемом кисти, отключите ее с помощью переключателя (47).



ОСТОРОЖНО!

При очистке не слишком ровных поверхностей, на панели управления подсвечиваются индикаторы щеток и вакуума (46) одновременно. Это означает перегрузку прибора.

Отключите все с помощью панели управления (46).



ОСТОРОЖНО!

Не используйте прибор с разряженными батареями во избежание их повреждения и уменьшения срока использования.

ПОСЛЕ ИСПОЛЬЗОВАНИЯ ПРИБОРА

После уборки, пожалуйста, выполните следующие инструкции перед отключением прибора:

1. Уберите щетки/подушечки.
2. Опустошите и высушите резервуары.
3. Выполните регулярные процедуры по уходу (См. главу Уход)
4. Храните прибор в сухом чистом месте, вместе со щетками/подушечками и ракелями, поднятыми или извлеченными.
5. При хранении при минусовых температурах, убедитесь, что перед постановкой на хранение в приборе не осталось жидкостей. Любое повреждение минусовыми температурами не покрывается гарантией.

НЕ ИСПОЛЬЗУЙТЕ ПРИБОР В ТЕЧЕНИЕ ДОЛГОГО ВРЕМЕНИ

Если прибор не используется более 30 дней, выполните следующие действия:

1. Следуйте инструкциям раздела 'После использования прибора'.
2. Отсоедините провод отсека батарей.

УХОД

Срок жизни прибора и максимальная безопасность при его использовании обеспечиваются правильным и регулярным уходом. В следующей таблице перечислены главные процедуры по уходу за прибором. Интервалы могут варьироваться в зависимости от разных условий работы, это определяется лицом, ответственным за уход за прибором.

РУКОВОДСТВО ПОЛЬЗОВАТЕЛЯ



ПРЕДУПРЕЖДЕНИЕ

Процедуры по уходу должны выполняться при выключенном приборе и кабеле отсека батарей/зарядного устройства. Более того, внимательно прочтите инструкцию по технике безопасности.

Все запланированные и внеочередные процедуры по уходу за прибором должны выполняться квалифицированным персоналом или авторизированным сервисным центром.

Данное руководство описывает только самые легкие и наиболее распространенные процедуры технического обслуживания.

Для других процедур технического обслуживания, отображенных в таблице планового технического обслуживания, обратитесь к руководству по обслуживанию, с которым можно ознакомиться в любом сервисном центре.

ТАБЛИЦА ПЛАНОВОГО ТЕХНИЧЕСКОГО ОБСЛУЖИВАНИЯ

Процедура	Ежедневно, после использования машины	Еженедель но	Каждые шесть месяцев	Ежегодно
Зарядка аккумуляторов				
Чистка валика				
Чистка щетки				
Чистка бака и вакуумной сетки, проверка прокладки крышки				
Проверка и замена лопасти валика				
Чистка фильтра для раствора				
Чистка фильтра трубы для выхода воды				
Проверка фиксации винтов и гаек			(1)	
Смазка вращающихся частей			(1)	
Проверка или замена моторной угольной щетки для щетки/держателя подкладки				(2)
Проверка или замена моторной угольной щетки для вакуумной системы				(2)

(1) И после первых 8 часов работы.

(2) Эти процедуры обслуживания должны выполняться в уполномоченном сервисном центре *vipec*.

ЗАРЯДКА АККУМУЛЯТОРА



ПРИМЕЧАНИЕ

Заряжайте аккумулятор, когда загорается желтый или красный индикатор (51), или в конце каждого рабочего цикла.



ОСТОРОЖНО!

Заряженные аккумуляторы имеют более долгий срок эксплуатации.



ОСТОРОЖНО!

Если машина не оборудована бортовым зарядным устройством, выберите внешнее зарядное устройство, подходящее для данного типа аккумуляторов.



ПРЕДУПРЕЖДЕНИЕ!

Пожалуйста, используйте только одобренное компанией viper зарядное устройства для зарядки аккумуляторов.



ПРЕДУПРЕЖДЕНИЕ!

Обратите особое внимание при зарядке аккумуляторов с жидким электролитом, так как возможна утечка жидкости. Жидкость в аккумуляторе едкая. Если она вступает в контакт с кожей или глазами, следует тщательно промыть их водой и обратиться к врачу.

1. Поместите зарядное устройство и машину в хорошо проветриваемое помещение.
2. Выключите машину (47).
3. Извлеките бак утилизации (2), обнажив батарейный отсек.
4. Подключите зарядный кабель к заземленной розетке (100В ~ 240В). Подключите кабель для зарядки в разъем машины.
5. Включится лампочка индикатора зарядки (30), это означает, что идет зарядка, зеленый свет означает, что зарядка аккумулятора завершена.
6. По завершении зарядки, сначала отключите кабель для зарядки от розетки, а затем отсоедините его от машины.
7. Замените бак утилизации.



ПРИМЕЧАНИЕ

Для получения дополнительной информации о работе зарядного устройства (29), смотрите соответствующий пункт.

ЧИСТКА ВАЛИКА



ПРИМЕЧАНИЕ

Валик должен быть чистым и его лопасти должны быть в хорошем состоянии для того, чтобы обеспечивалась хорошая сушка.



ОСТОРОЖНО!

Желательно надевать защитные перчатки при чистке валика, потому что может попадаться острый мусор.

ПРОВЕРКА И ЗАМЕНА ЛОПАСТИ ВАЛИКА

1. Снимите валик, как показано в предыдущем пункте.
2. Проверьте, нет ли повреждений краев передних / задних лопастей, при необходимости, замените их на новые.
3. Открутите шесть гаек с накаткой (37) для снятия лопастей.
4. Проверьте, целые ли передние / задние лопасти. Если есть повреждения, переверните или замените их.
5. Установите валик в порядке, обратном снятию.

ЧИСТКА ДВИГАЮЩЕГО УСТРОЙСТВА ЩЕТКИ/ПОДКЛАДКИ



ОСТОРОЖНО!

Желательно надевать защитные перчатки при чистке щетки/подкладки, потому что может попадаться острый мусор.

1. Снимите щетку/подкладку, как показано в главе Использование.
2. Очистите и вымойте щетку / подкладку водой и моющими средствами.
3. Проверьте, целы ли и не изношены ли щетинки щетки, при необходимости, замените щетку.
4. Проверьте, не износилась ли подкладка; при необходимости заменитедвигающее устройство подкладки

ЧИСТКА БАКА И ВАКУУМНОЙ СЕТКИ, ПРОВЕРКА ПРОКЛАДКИ КРЫШКИ



ОСТОРОЖНО!

Желательно надевать защитные перчатки при чистке бака и вакуумной/всасывающей сборки, потому что может попасться острый мусор.

1. Переместите машину в выбранное место утилизации
2. Выключите главный выключатель (47).
3. Снимите бак утилизации (2), очистите и промойте оба бака для раствора/утилизации и слейте их.
4. Снимите все вакуумные комплекты, прокладки, фильтры, очистите и заново установите.
5. Проверьте уплотнительное кольцо крышки бака утилизации и разъем вакуумной резины (18) между двумя баками.



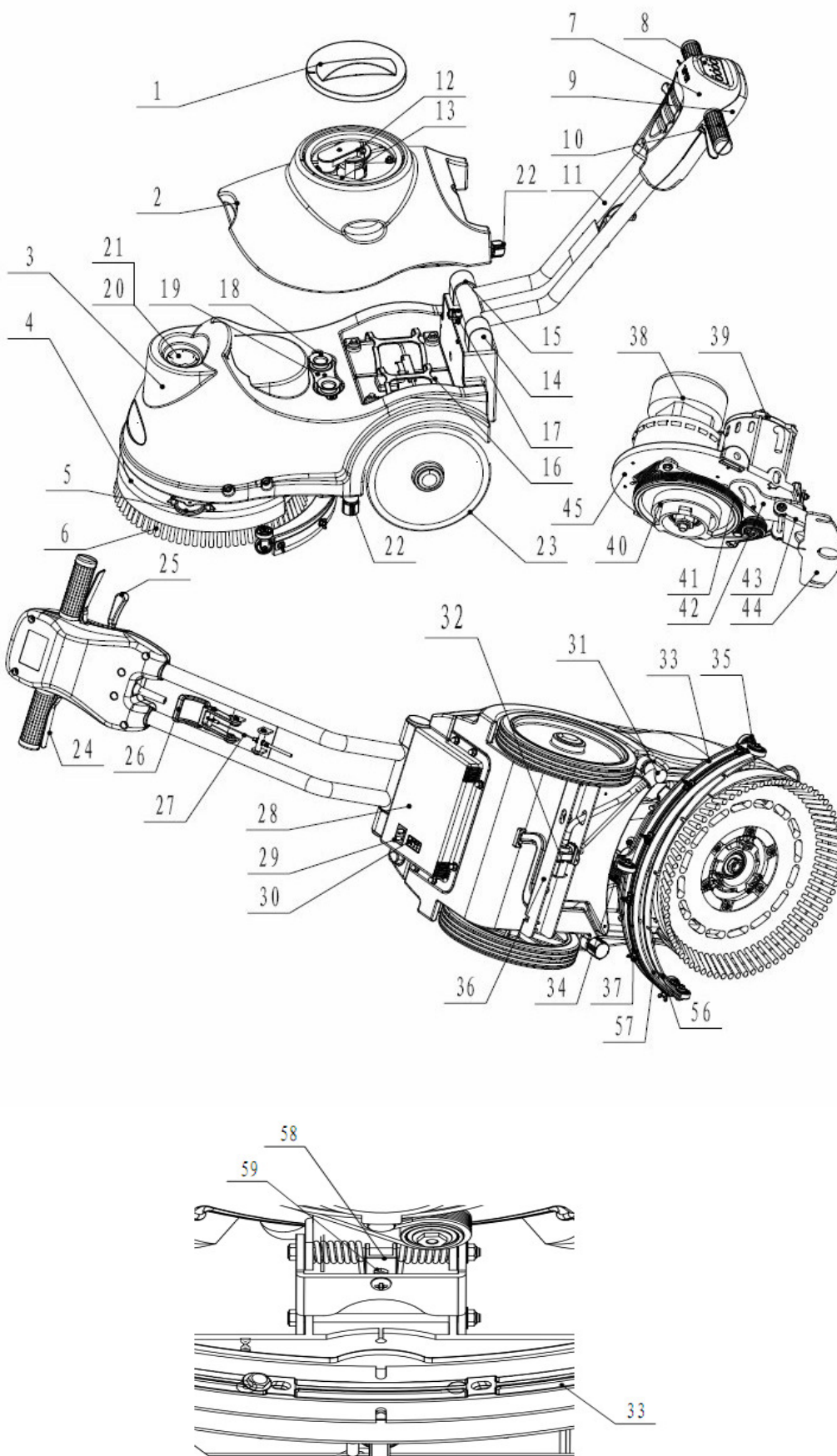
ПРИМЕЧАНИЕ

Уплотнительное кольцо бака утилизации и резиновый разъем между двумя баками создает вакуум в баке. При необходимости, замените его.

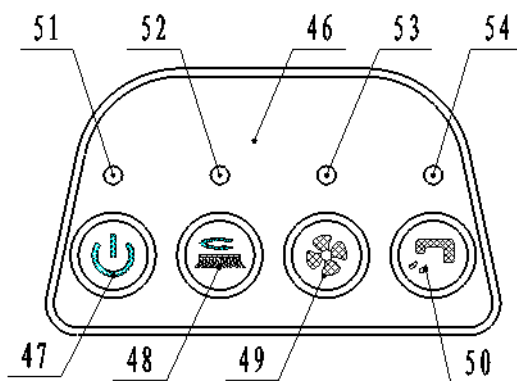
СТРУКТУРА МАШИНЫ

1. Крышка бака утилизации
2. Бак утилизации
3. Бак для раствора
4. Покрытие щетки
5. Защитные ролики
6. Щетка
7. Каркас передней рукоятки
8. Панель управления
9. Каркас задней рукоятки
10. Поддерживающая резина
11. Поддерживающая железная труба
12. Вакуумная сборка валика
13. Всасывающая сборка валика
14. Левое позиционирование
15. Правое позиционирование
16. Аккумуляторы
17. Защелка
18. Уплотнительная лента
19. Предельное шланговое соединение
20. Вход
21. Фильтр для раствора
22. Слив бака для раствора

23. Колеса на фиксированной оси
24. Правая и левая ручка
25. Рычаг вращения ручки
26. Рычаг подъема валика
27. Шнурок валика
28. Коробчатая сеть
29. Зарядное устройство
30. Индикатор зарядки аккумулятора
31. Рычаг управления потока раствора
32. Данные электромагнитного клапана
33. Валик
34. Шланг валика
35. Колеса валика
36. Ось
37. Гайка с накаткой
38. Двигатель вакуумной системы
39. Двигатель щетки
40. Приводной ремень
41. Ремень
42. Вращательная пластина валика
43. Подъемная пластина валика
44. Фиксирующая пластина валика
45. Фиксирующая пластина двигателя



Панель управления



- 46. Панель управления
- 47. Главный выключатель
- 48. Выключатель двигателя щетки
- 49. Выключатель вакуумного двигателя
- 50. Выключатель данных всасывающего электромагнитного клапана
- 51. Индикатор электрической величины
- 52. Индикатор двигателя щетки
- 53. Индикатор вакуумного двигателя
- 54. Индикатор данных всасывающего электромагнитного клапана

ТЕХНИЧЕСКИЕ ДАННЫЕ

Длина*ширина*высота машины	770x500x550мм
Объем бака для раствора	15Л
Объем бака утилизации	15Л
Диаметр колеса	254мм
Данные двигателя щетки	24В 250Вт
Данные вакуумного двигателя	24В 300Вт
Данные электромагнитного клапана	24В
Предельный уклон	2%
Звуковой рычаг	68 дБА
Данные аккумулятора	(2X12В) 24В 35Ач/20ч
Длина шнура питания	/
Специфика аккумулятора	196 x 130 x 175мм
Рабочая мощность, до	1000мм Н2°
Чистящая продуктивность	750м2/час
Ширина валика	490мм
Диаметр щетки	380мм
Количество оборотов в минуту щетки	150об/мин
Зарядное устройство	Вход 100-240 Вак, 50-60Гц Выход 24Vdc, 5A
Эксплуатационная масса	60кг
Полная масса	65кг
Специфика картонной коробки	780x415x590мм

УСТРАНЕНИЕ НЕПОЛАДОК

Неполадка	Возможная причина	Решение
Машина не работает, лампочки индикатора (51) не загораются	Отключен разъем аккумулятора	Подсоединить
	Аккумулятор полностью разряжен	Зарядить аккумулятор
	Линия электропередачи отсоединена от питания	Подсоединить
Машина не работает, лампочки индикатора (51) красные	Аккумулятор разряжен	Зарядить аккумулятор
Двигатель щетки не работает, лампочки индикатора щетки (52) не загораются	Печатная плата или клавиатура сломаны	Замените печатную плату или клавиатуру
Двигатель щетки не работает, лампочки индикатора щетки (52) мигают	Двигатель платформы перезагружен	Используйте менее агрессивные щетки, подходящие для чистки пола
	Есть инородные материалы (запутанные нити, и т.д.), препятствующие вращению щетки	Почистите ядро щетки
Двигатель вакуумной системы не работает, лампочки индикатора вакуумного двигателя (53) не загораются	Печатная плата или клавиатура сломаны	Замените печатную плату или клавиатуру
Двигатель вакуумной системы не работает, лампочки индикатора вакуумного двигателя (53) мигают	Двигатель вакуумной системы перезагружен	Проверьте двигатель вакуумной системы
Недостаточное всасывание грязной воды	Бак утилизации полон.	Слейте бак утилизации.
	Шланг отсоединился от валика	Подсоедините
	Вакуумная сборка засорена	Очистите или проверьте
	Валик загрязнен, или лопасти валика изношены или повреждены	Очистите и проверьте валик
	Бак утилизации не ограничен	Заблокируйте защелку(17)
	Крышка бака не закрыта должным образом или прокладка повреждена	Закройте крышку должным образом или замените прокладку
	Регулировочная часть резинового валика (58) не устанавливается в соответствующее положение	Отрегулируйте гайку (59) в соответствующее положение
Недостаточный поток раствора.	Раствора нет	Добавьте воды
	Управляющий клапан потока раствора(31) заклинило	Очистите клапан
	Раствор загрязнен	Очистите раствор
Валик оставляет пятна на полу.	Мусор под лопастью валика	Удалите мусор
	Лопастей валика износились, поломались или порвались	Замените лопасти

ПРЕПОРЪКИ ЗА БЕЗОПАСНОСТ

Този уред е предназначен за професионална употреба. Не е предвиден да се използва никъде другаде освен в закрити помещения. Използвайте само с препоръчителните аксесоари.

Всички оператори са длъжни да прочетат, разберат, както и да упражняват следните мерки за безопасност:

1) НЕ ИЗПОЛЗВАЙТЕ УРЕДА:

- Освен ако сте обучени и упълномощени.
- Освен ако сте прочели и разбрали указанията за експлоатация.
- В леснозапалими или избухливи пространства.
- Ако уредът не е в изправно техническо състояние.
- В открити пространства.

2) ПРЕДИ ДА ВЪВЕДЕТЕ УРЕДА В ЕКСПЛОАТАЦИЯ:

Уверете се, че всички предпазни средства са на мястото си и функционират правилно.

3) ПО ВРЕМЕ НА ЕКСПЛОАТАЦИЯ:

- Придвижвайте уреда бавно по наклони или хлъзгави повърхности.
- Следвайте препоръките за безопасност.
- Бъдете внимателни, когато движите уреда назад.
- Докладвайте и отстранете всяка неизправност, преди да въведете уреда в експлоатация.

4) ПРЕДИ ДА ИЗКЛЮЧИТЕ ИЛИ ДА СЕРВИЗИРАТЕ УРЕДА:

- Спрете уреда на равна повърхност.
- Изключете го.

5) ПО ВРЕМЕ НА СЕРВИЗИРАНЕ:

- Прочетете внимателно ръководството на потребителя преди да обслужите уреда.
- Използвайте единствено резервни части, одобрени и предоставени от производителя.
- Застопорете уреда и блокирайте колелата, преди да повдигнете уреда.
- Използвайте подходящ крик или подежник, за да повдигнете уреда.

ПО ВРЕМЕ НА СЕРВИЗИРАНЕ:

- Свалете батериите, преди да започнете работа.
- Носете ръкавици, докато боравите с батериите или техните кабели.
- Избягвайте контакт с киселината от батериите.
- Избягвайте контакт с подвижните части, не носете широки дрехи, докато сервизирате уреда.



ВНИМАНИЕ!

Батериите отделят водороден оксид. Този газ може да причини експлозия или пожар. Дръжте далеч от искри и открит огън! Отделението за батериите трябва да остане отворено по време на зареждане.



ВНИМАНИЕ!

Леснозапалимите материали могат да причинят експлозия или пожар. Не използвайте леснозапалими течности в резервоарите.



ВНИМАНИЕ!

Леснозапалимите материали или реактивни метали могат да причинят експлозия или пожар. Не ги използвайте.

НАСТРОЙКА И ИНСТАЛАЦИЯ НА УРЕДА

РАЗОПАКОВАНЕ НА УРЕДА

Проверете опаковката за видими щети. Незабавно съобщете за повредата на доставчика.

Проверете съдържанието на кашона и се уверете, че следните елементи са налице:

1. Уред
2. Батерии(х2)
3. Гумен накрайник
4. Ръководство на потребителя за подочистачката и сешоара
5. Упътване за електрическото зарядно за батерии (опционално)
6. $\text{ñáúðçááúè èáááèè çà áàðáðèýðà è çàðýáííðí (ííòèíáèíè)}$
7. $\text{âíââ+ çà ÷áðèâðà èèè íäèíæèâðà}$ (опционален)

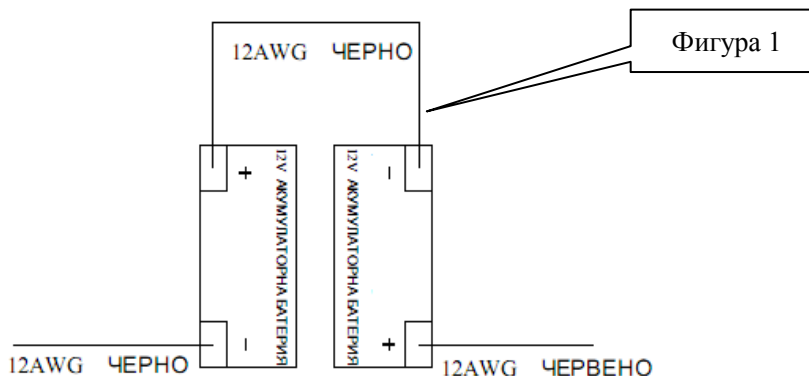
ДЕМОНТАЖ И МОНТАЖ НА БАТЕРИЯТА

1. Изключете главния прекъсвач (47).
2. Свалете резервоара за мръсна вода (2), както е указано в съответната глава.
3. Развийте винтовете от батериите (16), след това отстранете батериите или ги сменете.
4. Монтирайте батериите на уреда според диаграмата по-долу.
5. Монтирайте резервоара за мръсна вода.



ВНИМАНИЕ!

Не свързвайте + към +, или - към- при монтаж или демонтаж на батериите. Това е изключително опасно.



Çàðáæäíá íà áàðáðèýðà

Заредете батериите (вижте стъпките в глава "Поддръжка").

НАСТРОЙКА НА УРЕДА

Преди да започнете

1. Избършете и почистете от прах уреда отвън.
2. Проверете дали гуменият накрайник е монтиран правилно.
3. Наведете гумения накрайник надолу (33) с помощта на лоста (26).

4. Уверете се, че батериите са напълно заредени. (вижте ЗАРЕЖДАНЕ НА БАТЕРИИТЕ)
5. Проверете дали четката/подложката е монтирана правилно.

Монтаж и демонтаж на водача на четката/подложката



ВАЖНО!

Монтирайте само на ръка. При автоматичен монтаж ще Ви е необходима главината на четката.

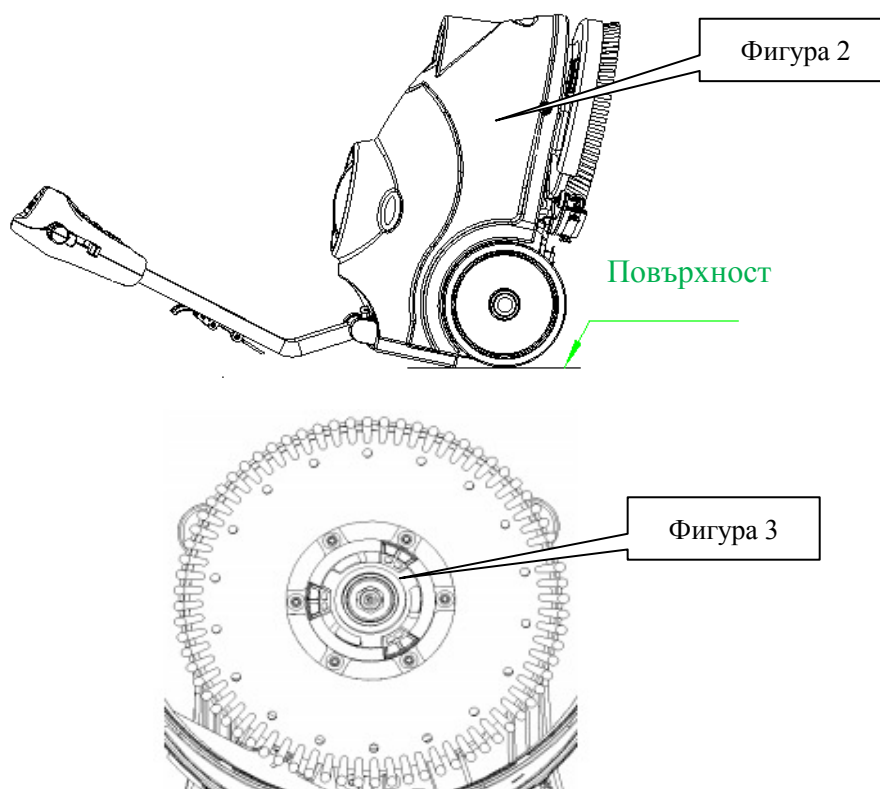
Уверете се, че резервоарите са празни, преди да демонтирате четката.

1. Изключете уреда.
2. Разположете уреда, както е посочено на Фигура 2, дръпнете лоста за повдигане (26), за да повдигнете гумения накрайник (33).
3. Монтирайте водача на четката или подложката върху главината на водещите колела, след което завъртете обратно на часовниковата стрелка, докато се застопори, както е показано на Фигура 3.
4. За да демонтирате четката/подложката, завъртете по посока на часовниковата стрелка, докато четката/подложката се освободи от главината на водещите колела.



ВНИМАНИЕ!

В никакъв случай не включвайте уреда, докато е в това положение. В случай, че четката/подложката се изхлузи или причини нараняване.

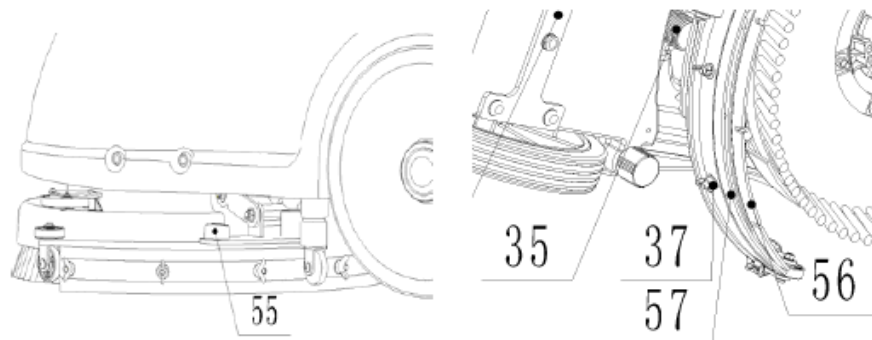


Монтаж на гумения накрайник

1. Изключете уреда (47).
2. Дръпнете лоста за повдигане на гумения накрайник (26) надолу, за да поставите накрайника в "работно" положение.
3. Разположете уреда по начина, показан на Фигура 2.

РЪКОВОДСТВО НА ПОТРЕБИТЕЛЯ

4. Разхлабете двете щипки (55) на гумения накрайник и го плъзнете в жлебовете между гумениите скоби.
Стегнете щипките здраво (развийте ги при демонтаж).
5. За да смените предната/задната гума (56/57), развийте гайката (37).



Пълнене на резервоара за чиста вода



ВАЖНО!

Уредът може да се пълни с маркуч или кофа. Не отстранявайте Филтъра за разтвора (21) по време на пълнене.

1. Сипете вода в контейнера за разтвора (3) от отвора (20) с помощта на маркуч или кофа.
2. Не пълнете контейнера догоре, оставете няколко сантиметра до ръба.
3. Температурата на водата не бива да надхвърля 40°C.



ВНИМАНИЕ !

Използвайте само препарати, които не образуват много пяна и не са леснозапалими, най-добре такива, които са специално предназначени за употреба с автоматични подочистачки.

Източване на контейнера за разтвора



ВАЖНО!

Контейнера за разтвора трябва да се източи и измие след всяко почистване.

1. Развийте пробката за източване (22) на дъното на контейнера за разтвора.
Разтворът/течността ще потече свободно в кофа или в сифона.
2. Изплакнете контейнера за разтвора с чиста вода след всяка употреба. По този начин ще предотвратите химически
3. Завийте отново пробката за източване (22)

Източване на резервоара за мръсна вода



ВАЖНО!

Резервоарът за мръсна вода трябва да се източи и измие след всяко почистване.

1. Отворете палчето (17), за да освободите резервоара за мръсна вода, свалете контейнера от уреда, като използвате двата жлеба на самия контейнер, за да го захванете. Отворете капака (1) и обърнете резервоара, за да излеете мръсната вода в някакъв съд или развийте пробката за източване (22), като оставите

водата да се излее в кофа.

2. Измийте и изплакнете резервоара с чиста вода след всяка употреба.
3. Поставете отново резервоара върху уреда и обърнете палчето (17), за да застопорите резервоара.

ЕКСПЛОАТАЦИЯ

1. Регулирайте дръжката в удобна за Вас височина, като натиснете лоста (25).
2. Наведете гумения накрайник (33) към пода, като дръпнете повдигачия механизъм (26) надолу.
3. Включете главния прекъсвач (47).
4. Включете бутона за мотора на четката (48) и ключа за почистващия разтвор (5), индикаторът ще светне.
5. Включете бутона за мотора за прахосмукачката (49), индикаторът ще светне.
6. Ако е необходимо, регулирайте количеството на подавания разтвор, като завъртите сферичния кран (31) на ръка.
7. Дръпнете единия или и двата ключа за управление (24), след което четката ще започне да се върти и разтворът ще потече. Преместете уреда и започнете почистването,

ВАЖНО!

Ако светлинният индикатор (51) свети в зелено, уредът е готов за използване. Ако свети в жълто или зелено, батериите трябва да зазаредят.



ВНИМАНИЕ!

Преди да вдигнете четката, изключете я, като натиснете съответния бутон (47).



ВНИМАНИЕ!

Когато почиствате силно замърсени повърхности, които могат да затруднят уреда, индикаторите за четката и прахосмукачката на панела за управление (46) ще примигват едновременно. Това означава, че уредът е претоварен.

Моля изключете всички бутони на панела за управление (46).



ВНИМАНИЕ !

Не използвайте уреда при слаб заряд на батериите, за да избегнете тяхното увреждане и съкращаване на живота им.

СЛЕД УПОТРЕБА

След като почистите, моля изпълнете следните указания, преди да приберете уреда:

1. Свалете държача за четката/подложката
2. Подсушете и източете резервоарите за течностите.
3. Изпълнете стъпките по ежедневната поддръжка (вижте глава "Поддръжка")
4. Съхранявайте уреда на чисто и сухо място, като махнете държачите на четката/подложката и гумения накрайник или ги оставите вдигнати
5. Ако съхранявате в помещение, където температурата може да падне до под 0-та, уверете се, че всички резервоари са празни, преди да приберете уреда, тъй като щети, възникнали в резултат на замръзване, не се покриват от гаранцията.

АКО НЕ ИЗПОЛЗВАТЕ УРЕДА ПРОДЪЛЖИТЕЛНО ВРЕМЕ

Ако не възнамерявате да ползвате уреда за повече от 30 дни, моля спазвайте следните указания:

1. Изпълнете стъпките от глава "След употреба".

РЪКОВОДСТВО НА ПОТРЕБИТЕЛЯ

2. Изключете клемите на батериите.

ПОДДРЪЖКА

Живота на уреда и неговата максимална безопасност по време на работа са гарантирани при правилна и редовна поддръжка. Следната схема предлага график за редовна поддръжка. Посочените интервали могат да варират в зависимост от условията на експлоатация, които се определят от отговорника по поддръжката.



ВНИМАНИЕ!

Процедурите по поддръжката трябва да се изпълняват при изключен уред и изключен кабел за зарядното на батерията/батериите. В допълнение, прочетете внимателно инструкциите в глава "Безопасност".

Всяка планирана или извънредна поддръжка трябва да се изпълнява от квалифициран персонал или оторизиран Сервизен Център.

Това Ръководство описва най-лесните и обикновени стъпки за извършване на поддръжка.

За всички останали стъпки по поддръжката, показани в Графика за регулярна поддръжка, включени в това ръководство, можете да се обърнете за консултация към всеки Сервизен център.

ГРАФИК ЗА РЕГУЛЯРНА ПОДДРЪЖКА

Стъпки	Ежедневно, след използване на уред	Ежеседми чно	На всеки шест месеца	Годишно
Зареждане на батерията				
Почистване на гумения накрайник				
Почистване на четката				
Почистване на поплавката и цедката на резервоара и прахосмукачката, проверка на уплътнението на капака.				
Проверка и подмяна на гумените чистачки				
Почистване на филтъра за почистващия разтвор				
Филтър за пречистване на водата				
Проверка дали винтовете и гайките са добре затегнати и			(1)	
дали въртящите са части са добре смазани			(1)	
Проверка и подмяна на карбоновата дръжка на мотора на четката/подложката				(2)
Проверка и подмяна на карбоновата дръжка на мотора на прахосмукачката				(2)

(1) И след първите 8 работни часа.

(2) Тази процедура трябва да се извърши в оторизиран Сервизен център на Вайпър.

ЗАРЕЖДАНЕ НА БАТЕРИЯТА



ВАЖНО!

Заредете батериите, когато индикаторът (51) свети в жълто или червено, или в края на всеки работен цикъл.



ВНИМАНИЕ !

Редовното зареждане на батериите ще удължи техния живот.



ВНИМАНИЕ !

Ако уредът не е снабден с вградено зарядно за батериите, изберете външно устройство, подходящо за този вид батерии.



ВНИМАНИЕ !

Моля използвайте единствено зарядно, одобрено от Вайпър.



ВНИМАНИЕ !

Бъдете изключително внимателни, когато зареждате батерии с течност, тъй като са възможни течове. Киселината в батериите разяжда. Ако попадне върху кожата или в очите, изплакнете обилно с вода и се консултирайте с лекар.

1. Поставете зарядното устройство и уреда в проветриво помещение.
2. Изключете уреда (47).
3. Свалете резервоара за мръсна вода (2), за да имате достъп до отделението за батериите.
4. Включете щепсела на зарядното в заземен контакт (100v~240v)..
5. Включете кабела в буксата на уреда.
6. Светлинния индикатор за заряда (30) ще се включи, което означава, че батерията се зарежда. Когато индикаторът светне в зелено - зареждането е приключило.
7. Когато батерията е заредена, най-напред изключете зарядното от контакта и едва след това - от уреда.
8. Поставете отново резервоара за мръсна вода.



ВАЖНО!

За повече информация относно зарядното устройство за батериите (29), вижте съответната глава.

ПОЧИСТВАНЕ НА ГУМЕНИЯ НАКРАЙНИК



ВАЖНО!

Гуменият крайник трябва да е чист, а чистачките да са в добро състояние, за да постигнете качествено подсушаване на повърхността.



ВНИМАНИЕ!

Препоръчително е носенето на защитни ръкавици при почистване на гумения крайник, тъй като може да има остри отпадъци.

ПРОВЕРКА И ПОДМЯНА НА ГУМЕНИТЕ ЧИСТАЧКИ

1. Демонтирайте гумения крайник, както е показано в предишния абзац.
2. Проверете дали повърхността на предната/задната чистачка е напукана, и ако е необходимо, подменете чистачките.
3. Развийте шестте гайки (37), за да свалите чистачките.
4. Проверете предната/задната чистачка за наранявания и пукнатини. Ако не са годни за употреба,

РЪКОВОДСТВО НА ПОТРЕБИТЕЛЯ

обърнете ги или ги подменете.

5. За да монтирате гумения накрайник, следвайте указанията за демонтаж в обратен ред.

ПОЧИСТВАНЕ НА ВОДАЧА ЗА ЧЕТКАТА/ПОДЛОЖКАТА



ВНИМАНИЕ!

Препоръчително е да носите защитни ръкавици при почистване на четката/подложката, тъй като е възможно да има остри отпадъци.

1. Свалете четката/подложката, както е показано в глава "Експлоатация".
2. Измийте четката/подложката с вода и препарат.
3. Проверете дали влакната на четката са цели или износени; ако е необходимо подменете четката.
4. Проверете дали подложката е здрава или е износена; ако е необходимо, подменете водача с подложката.

ПОЧИСТВАНЕ НА ПОПЛАВЪКА НА ЦЕДКАТА НА РЕЗЕРВОАРА/ПРАХОСМУКАЧКАТА И ПРОВЕРКА НА УПЛЪТНЕНИЕТО НА КАПАКА



ВНИМАНИЕ!

Препоръчително е носенето на защитни ръкавици при почистване на резервоара и частите на прахосмукачката, тъй като е възможно да има остри отпадъци.

1. Преместете уреда на подходящо за почистване място.
2. Изключете главния прекъсвач (47).
3. Свалете резервоара за мръсна вода (2), почистете и изплакнете и източете напълно и двата резервоара.
4. Разглобете всички части на прахосмукачката, уплътнението, филтъра, почистете ги и ги сглобете отново.
5. Проверете дали уплътненията на капациите на резервоарите, както и гуменото съединение за вакуума (18) между двата резервоара, са здрави.



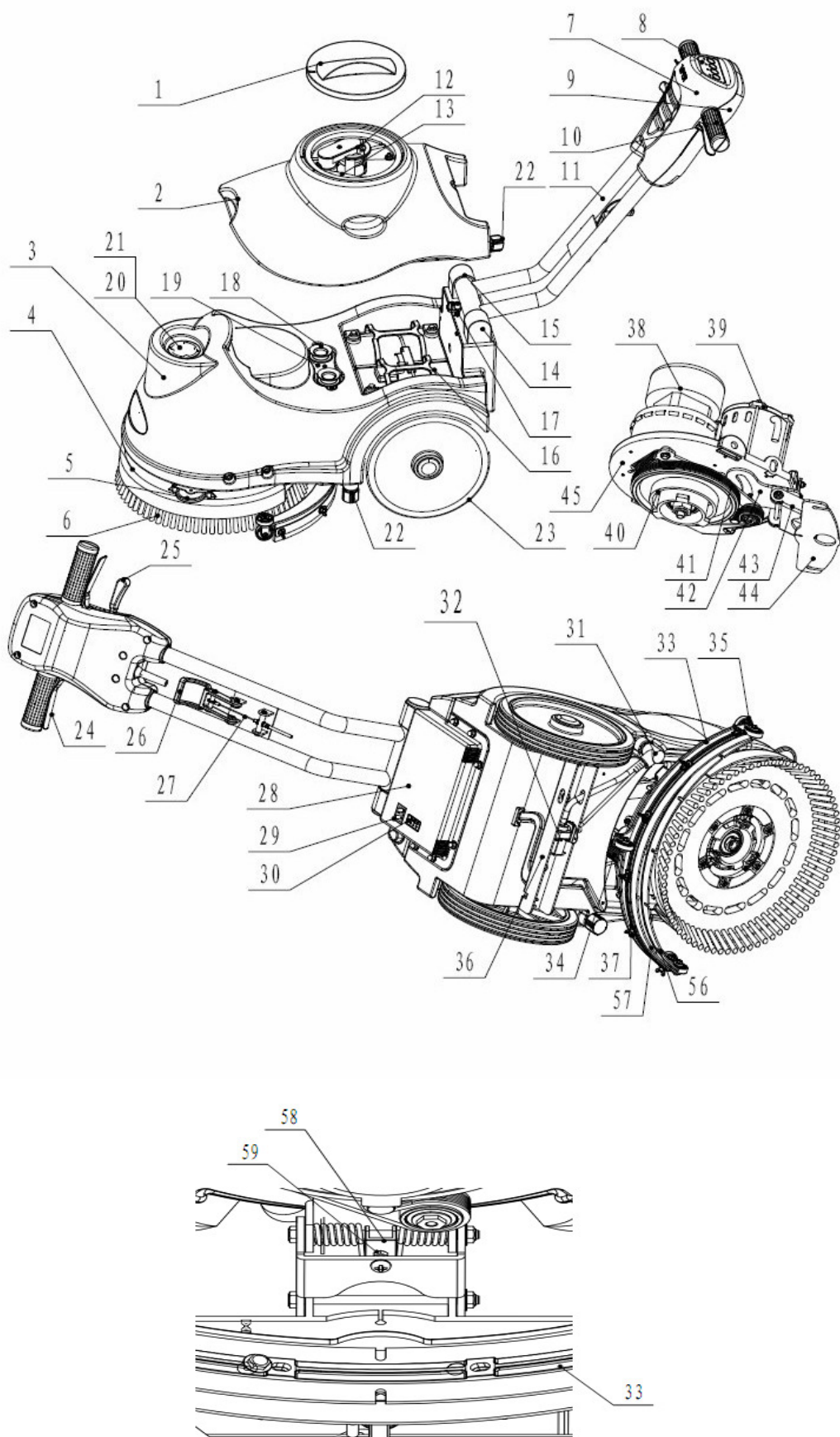
ВАЖНО!

Гуменото уплътнение на резервоара за мръсна вода и гуменото съединение между двата резервоара въздават вакуум. Ако е необходимо ги подменете.

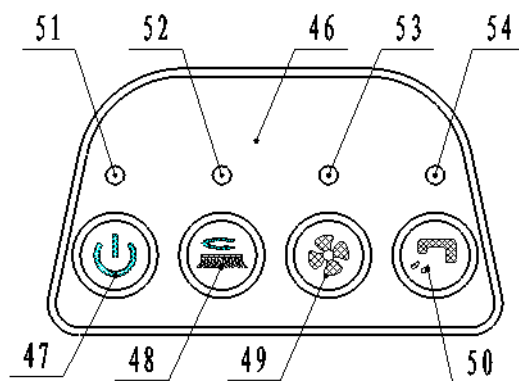
УСТРОЙСТВО НА УРЕДА

1. Капак на резервоара за мръсна вода
2. Резервоар за мръсна вода
3. Резервоар за почистващия разтвор
4. Капак на четката
5. Защитни ролки
6. Четка
7. Предна дръжка
8. Панел за управление
9. Задна дръжка
10. Гумена дръжка

11. Метална тръба
12. Гумен накрайник
13. Гумен накрайник за засмукване
14. Регулиране наляво
15. Регулиране надясно
16. Батерии
17. Палче
18. Гумено уплътнение
19. Ограничител за маркуча
20. Отвор
21. Филтър за разтвора
22. Пробка за източване на контейнера за разтвор
23. Колела с фиксирана ос
24. Лява и дясна дръжка
25. Лост за въртене на дръжката
26. Лост за повдигане на гумения накрайник
27. Гумена връв
28. Електрическа верига
29. Зарядно
30. Индикатор за заряда на батерията
31. Лост за регулиране на количеството разтвор
32. Електромагнитен клапан
33. Гумена четка
34. Гумен маркуч
35. Гумени колела
36. Ос
37. Гайка
38. Мотор на прахосмукачката
39. Мотор на четката
40. Задвижване на ремък
41. Ремък
42. Въртящ се гумен диск
43. Повдигащ се гумен диск
44. Фиксиращ гумен диск
45. Фиксиращ диск за мотора



Панел за управление



- 46. Панел за управление
- 47. Главен прекъсвач
- 48. Бутон за мотора на четката
- 49. Бутон за мотора на прахосмукачката
- 50. Бутон за електромагнитния клапан за засмукване
- 51. Електрически индикатор за количеството
- 52. Индикатор за мотора на четката
- 53. Индикатор за мотора на прахосмукачката
- 54. Индикатор на електромагнитния клапан за засмукване

ТЕХНИЧЕСКА ИНФОРМАЦИЯ

Дължина*Широчина*Височина на уреда	770x500x550MM
Капацитет на резервоара за почистващия разтвор	15L
Капацитет на резервоара за мръсна вода	15L
Диаметър на колелата	254MM
Параметри на мотора на четката	24V 250W
Параметри на мотора на прахосмукачката	24V 300W
Параметри на електромагнитния клапан	24V
Максимален наклон	2%
Ниво на шума	68 dBA
Параметри на батериите	(2X12V) 24V 35Ah/20h
Дължина на захранващия кабел	/
Спецификации на батериите	196 x 130 x 175mm
Работен капацитет, до	1000 mm H ² °
Производителност	750m ² /hour
Широчина на гумения накрайник	490mm
Диаметър на четката	380mm
Обороти на четката	150rpm
Зарядно устройство	Входящи стойности 100-240 Засмукване, 50-60HZ Изходящи стойности 24Vdc, 5A
Работно тегло	60kg
Бруто тегло	65kg
Размери на опаковката	780x415x590MM

РЪКОВОДСТВО НА ПОТРЕБИТЕЛЯ

ОТСТРАНЯВАНЕ НА НЕИЗПРАВНОСТИ

Проблем	Вероятна причина	Решение
Уредът не функционира, светлинният индикатор (51) не се включва.	Клемите на батерията не са закачени.	Свържете ги.
	Батериите са напълно разредени	Заредете батериите
	Захранващият кабел не е включен	Включете го
Уредът не функционира, светлинният индикатор (51) свети в червено	Батериите са разредени	Заредете батериите
Моторът на четката не работи, светлинният индикатор на четката (52) не се включва.	Панелът за управление или бутонът за включване не е изправен	Сменете панела или бутона
Моторът на четката не работи, светлинният индикатор на четката (52) мига	Моторът е претоварен	Използвайте по-леки четки, подходящи за настилката, която почиствате.
	Има чужди тела (оплетени влакна, и т.н), които не позволяват четката да се върти.	Почистете четката
Праховсмукачката не работи, светлинният индикатор (53) не се включва	Панелът за управление или бутонът за включване не е изправен	Сменете панела или бутона
Праховсмукачката не работи, светлинният индикатор (53) мига	Праховсмукачката е претоварена	Проверете мотора на праховсмукачката
Уредът не засмуква достатъчно мръсна вода	Резервоарът за мръсна вода е пълен	Източете резервоара за мръсна вода
	Маркучът се е изхлузил от гумения накрайник	Свържете го
	Праховсмукачката е задръстена	Проверете и почистете
	Гуменият накрайник е мръсен или чистачките са повредени или износени	Проверете гумения накрайник и го почистете
	Резервоарът за мръсна вода се мести	Затворете палчето 17)
	Капакът на резервоара не е добре затворен или уплътнението е повредено.	Затворете добре капака или сменете уплътнението
	Регулаторът на гумения накрайник (58) не е поставен правилно	Нагласете винта (59), за да коригирате позицията
Не се подава достатъчно почистващ разтвор	Резервоарът за почистващия разтвор е празен	Налейте вода
	Клапата за регулиране на подаването на разтвор (31) е блокирала	Изчистете клапата
	Разтворът е замърсен	Налейте чист разтвор
Гуменият накрайник оставя следи по пода	Има отпадъци под чистачките	Отстранете отпадъците
	Чистачките са износени, напукани или усукани	Сменете чистачките

SIKKERHEDSFORANSTALTNINGER

Denne maskine er beregnet til kommercielt brug. Den er konstrueret til brug i et indendørs miljø og er ikke beregnet til anden brug. Brug kun det anbefalede tilbehør.

Alle operatører skal læse, forstå og udøve de følgende sikkerhedsforanstaltninger:

1) BRUG IKKE MASKINEN:

Medmindre du er uddannet og godkendt.
Medmindre du har læst og forstået brugermanualen.
I brændbare eller eksplosive områder.
Hvis maskinen ikke er i ordentlig stand.
På udendørsarealer.

2) FØR BRUG AF MASKINEN:

Sørg for, at alle sikkerhedsanordninger er på plads og fungerer korrekt.

3) UNDER BRUG AF MASKINEN:

Gå langsomt på hældninger og glatte overflader.
Følg alle retningslinjer for sikkerhed.
Vær meget forsigtig, når du bruger maskinen i bakgear.
Rapporter og reparer eventuelle skader på maskinen, inden du anvender den igen.

4) FØR MASKINEN EFTERLADES OG SERVICERES:

Stop maskinen på en jævn overflade.
Sluk for maskinen.

5) UNDER SERVICERING AF MASKINEN:

Læs brugsanvisningen grundigt for drift og servicering af denne maskine.
Brug producentleverede eller -godkendte reservedele.
Fastgør maskinen med hjulblokeringer før maskinen løftes op.
Brug godkendt donkraft eller talje til sikkert at løfte maskinen.

UNDER SERVICERING AF MASKINEN:(gør)

Afbryd batterier før arbejde på maskinen.
Brug handsker ved håndtering af batterier eller batterikabler.
Undgå enhver kontakt med batterisyre.
Undgå bevægelige dele. Bær ikke løstsiddende tøj, under servicering af maskinen.



ADVARSEL !

Batterier udsender brintgas. Eksplosion eller brand kan skyldes hydrogengas. Hold gnister og åben ild væk! Hold batterirummet åbent under opladning.



ADVARSEL !

Brandfarlige materialer kan forårsage eksplosion eller brand. Brug ikke brændbare materialer i tanke.



ADVARSEL !

Brændbare materialer eller reaktive metaller kan forårsage eksplosion eller brand
Saml ikke op.

OPSÆTNING OG INSTALLATION AF MASKINEN

UDPAKNING AF MASKINEN

Søg for at tjekke indpakningen for eventuelle skader. Umiddelbart efter udpakning, skal du rapportere eventuelle skader til frachtselskabet.

Kontroller indholdet af pakken for at sikre, at følgende elementer er inkluderet:

1. Maskinen
2. Batterier (x2)
3. Gummiskraber-enhed
4. Skrubbe/tørre brugermanual
5. Manual til elektrisk batterioplader (hvis inkluderet)
6. Ledning til batteri og oplader (hvis inkluderet)
7. Børste- eller pudeholder (hvis inkluderet)

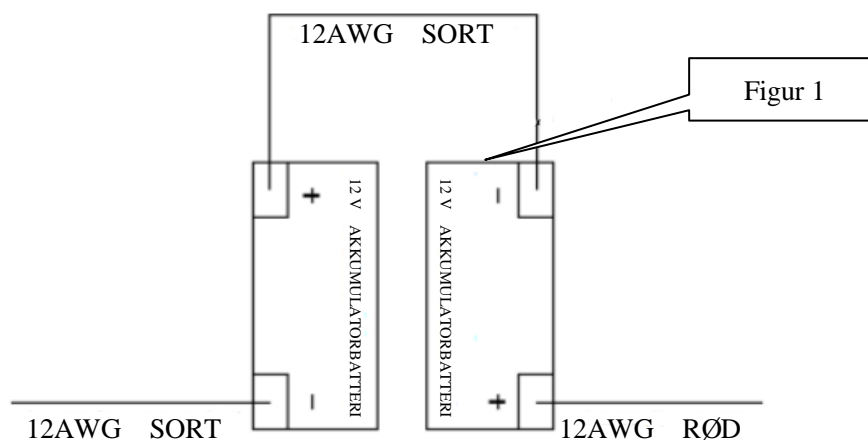
INSTALLATION OG AFMONTERING AF BATTERI

1. Sluk for hovedafbryderen (47).
2. Fjern opsamlingstanken (2), som vist i det relevante afsnit.
3. Skru bolten fra batterierne (16), og fjern eller udskift derefter.
4. Installer batterierne i maskinen i henhold til nedenstående diagram.
5. Installer opsamlingstanken.



ADVARSEL

Forbind ikke til+, eller - til-, ved afmontering eller installation af batterier. Det er meget farligt.



Udskiftning af batteri

Oplad batterierne (se procedure i kapitlet Vedligeholdelse).

OPSÆTNING AF MASKINEN

Kontrol før drift

1. Fej eller støv overfladen af, der skal rengøres.
2. Kontrollér, at gummiskraberen er installeret korrekt.
3. Sænk gummiskraberen (33) med håndtaget (26).
4. Kontrollér at batteriet er fuldt opladet. (Se BATTERIOPLADNING)
5. Kontroller at børste/pude er installeret korrekt.

Installation og afmontering af børste-/pudeholder



BEMÆRK

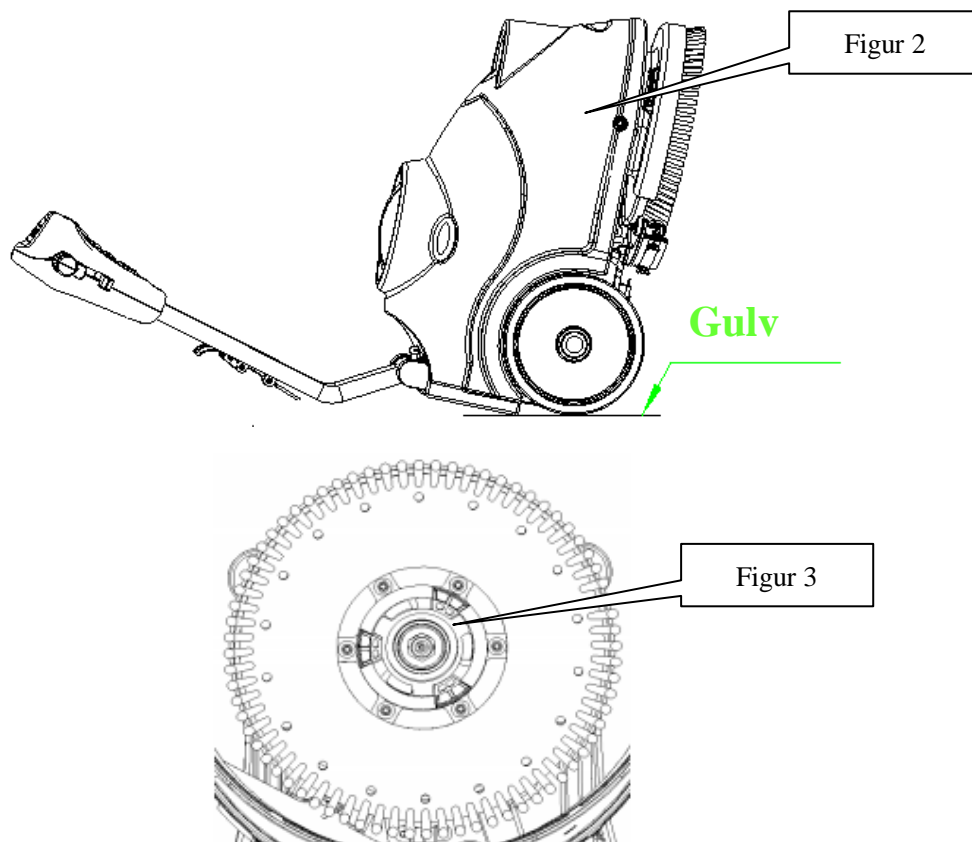
Installer kun manuelt. I tilfælde af auto-installation, vil det slide på børsteholderen. Sørg for, at tankene er tomme før demontering af børsten.

1. Sluk for maskinen.
2. Læg maskinen ned i denne position som angivet i figur 2, Træk løfteåndtaget op (26) for at hæve gummiskraber (33).
3. Monter børste eller pudeholder på hjulnavet og drej mod uret, indtil den låses, som angivet i figur 3.
4. For at fjerne børsten / puden, roter børsten / puden med uret, indtil det frigøres fra hjulnavet.



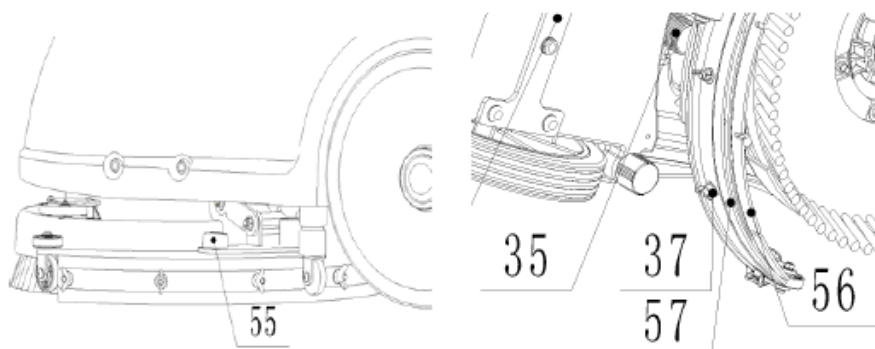
ADVARSEL

Tænd ikke maskinen i denne stilling som nedenfor. Børsten / puden kan frigøres og forvolde skade.



Installation af gummiskraber

1. Sluk for maskinen (47).
2. Træk gummiskraberens håndtag (26) ned for at sætte gummiskraber på positionen "arbejde".
3. Læg maskinen ned i positionen angivet i figur 2.
4. Løsn de to knapper (55) på gummiskraber og skub gummiskraber ind i åbningerne af gummiskraberens beslag. Stram skruerne forsvarligt (løsn skruerne ved afmontering).
5. For at udskifte den forreste / bagerste gummiskraber (56/57), skru møtrikken løs (37).



Påfyldning af opløsningsstanken



BEMÆRK

Maskinen kan fyldes med et rør eller spand. Fjern ikke opløsningsfilteret (21), under påfyldning.

1. Fyld vand på opløsningsstanken (3) fra indløbet (20) gennem rør eller spand
2. Fyld ikke opløsningsstanken helt, fyld op til et par centimeter fra kanten.
3. Vandtemperaturen må ikke overstige 40 °C.



FORSIGTIG!

Brug kun lav-skum og ikke-brændbare rengøringsmidler, der er beregnet til automatiske skrubbemaskiner

Dræning af opløsningsstanken



BEMÆRK

Opløsningsstanken skal tømmes og rengøres efter hver rengøring er fuldført.

1. Skru afløbshætten (22) på bunden af opløsningsstanken af. Opløsningen/vandet vil strømme frit ud i en spand eller gulv afløb.
2. Skyl opløsningsstanken med rent vand efter hver brug. Dette vil hjælpe med at forhindre kemisk opbygning.
3. Skru afløbshætten (22) på

Dræning af opsamlingstanken



BEMÆRK

Opsamlingstanken skal tømmes og rengøres efter hver rengøring er fuldført.

1. Drej på låsen (17) på opsamlingstanken, fjern opsamlingstanken fra maskinen ved at tage fast i de to kroge på tanken. Åbn låget (1) og vælt opsamlingstanken for at dræne det snavsede vand i en beholder, eller skru dræningsdækslet (22) af, for at lade vandet løbe ned i en spand.
2. Skyl og rens opsamlingstanken med rent vand efter hver brug.
3. Placer opsamlingstanken på maskinen og drej på låsen (17) for at låse den.

DRIFT AF MASKINEN

1. Indstil håndtaget til en komfortabel højde ved at trykke på håndtaget (25).
2. Sænk gummiskraberen (33) på gulvet ved at trække nedløftmekanismen (26).
3. Tænd for hovedafbryderen (47).

4. Tænd børstemotorens kontakt (48), og opløsningskontakten (50), det angivne lys vil være tændt.
5. Tænd vakuummotorkontakten (49), det angivne lys vil være tændt.
6. Hvis det er nødvendigt, manuelt juster vandgennemstrømningen ved dreje på kuglehanen (31)
7. Træk den ene eller begge operatørudløbere (24), og derefter vil børsten begynde at dreje, og opløsningen begynder at flyde. Flyt maskinen og start rengøring.

BEMÆRK

Hvis batteriindikatoren lyser (51) grøn, kan maskinen anvendes. Hvis den er gul eller rød, skal batterierne oplades.

**FORSIGTIG !**

Før løft af børsten, sluk ved at trykke på kontakten (47).

**FORSIGTIG !**

Ved rengøring af overdrevent beskidte gulve eller andet, kan dette medføre at maskinen ikke virker, børste motor og vakuum indikatorer på kontrolpanelet (46) blinker samtidigt. Det betyder, at maskinen bliver overbelastet.

Sluk alle kontakter på kontrolpanelet (46).

**FORSIGTIG !**

Maskinen må ikke anvendes sammen med afladede batterier for at undgå at beskadige batterierne og reducerer batteriets levetid.

EFTER BRUG AF MASKINEN

Efter skrubning, skal du udføre nedenstående handlinger, før du forlader maskinen:

1. Fjern børste-/pudeholder
2. Tør og rengør tankene med fuld væske.
3. Udfør de daglige vedligeholdelsesprocedurer (se kapitlet Vedligeholdelse)
4. Opbevar maskinen på et rent og tørt sted, med børste-/pudeholder og gummiskraberen
5. Hvis opbevaringen finder sted på en placering hvor der kan forekomme frostgrader, skal du sørge for at dræne alle væsker fra maskinen før opbevaring. da skader forvoldt af temperaturer under frysepunktet, ikke dækkes af garantien.

MASKINE DER IKKE BRUGES I LÆNGERE TID

Hvis maskinen ikke skal bruges i mere end 30 dage, skal du fortsætte med nedenstående tiltag:

1. Udfør procedurerne, der er vist i "efter brug af maskinen punkt «
2. Afbryd batteristikket.

VEDLIGEHOLDELSE

Levetiden af maskinen og dens maksimale driftssikkerhed sikres ved korrekt og regelmæssig vedligeholdelse. Følgende skema giver den planlagte vedligeholdelse. De viste intervaller kan variere afhængigt af særlige arbejdsvilkår, som vil blive fastlagt af den ansvarlige for vedligeholdelsen.

**ADVARSEL**

Vedligeholdelsesprocedurer skal udføres med maskinen slukket og batterier/batteriopladerkabel afbrudt. Desuden skal du omhyggeligt læse instruktionen i kapitlet Sikkerhed.

Alle planlagte eller ekstraordinære vedligeholdelsesprocedurer skal udføres af kvalificeret personale eller af et autoriseret servicecenter.

Denne manual beskriver kun de lettere og mest almindelige vedligeholdelsesprocedurer.

BRUGERMANUAL

For andre vedligeholdelsesprocedurer vist i Tabel for planlagt vedligeholdelse, se venligst Servicehåndbogen, der kan konsulteres på ethvert servicecenter.

TABEL FOR PLANLAGT VEDLIGEHOLDELSE

Procedure	Dagligt, efter brug af maskinen	Ugentlig	Hver 6. måned	Årligt
Opladning af batteri				
Rengøring af gummiskraber				
Rengøring af børste				
Tank og vakuum rengøring, kontrol af dækslets pakning				
Kontrol og erstatning af gummiskraber				
Rengøring af opløsningsfilter				
Rengøring af filter til udløb				
Tjek og stramning af skruer og møtrikker			(1)	
Smøring af roterende dele			(1)	
Børste-/pudeholder motor kulbørster kontrol eller udskiftning				(2)
Vakuum-system motor kulbørster kontrol eller udskiftning				(2)

(1) Og efter de første 8 timers drift.

(2) Denne vedligeholdelsesprocedure skal udføres af et autoriseret Viper servicecenter.

OPLADNING AF BATTERI



BEMÆRK

Oplad batterierne, når den gule eller røde indikator (51), eller ved slutningen af hver arbejdscyklus.



FORSIGTIG!

Hold batterierne opladede – det forlænger deres levetid.



FORSIGTIG!

Hvis maskinen ikke er udstyret med indbygget batterioplader, skal du vælge en ekstern batterioplader der passer til den type batterier der er installeret.



ADVARSEL!

Brug venligst viper godkendt oplader til at oplade batteriet



ADVARSEL!

Vær særlig opmærksom, på opladning af WET-batterier, da der kan være fluidlækager. Batteriet er ætsende. Hvis det kommer i kontakt med huden eller øjnene, skylles der grundigt med vand og søg læge.

1. Placer opladeren og maskinen i et godt ventileret område.
2. Sluk for maskinen (47).
3. Fjern opsamlingsstanken (2), dette vil gøre batterirummet synligt.
4. Sæt opladningskabel i stikkontakt med jordforbindelse (100 V ~ 240 V). Slut ladekablet til maskinens stik.
5. Opladningsindikator lyser (30) betyder at maskinen oplades, grønt lys betyder batteriopladning er afsluttet.
6. Efter afslutningen af opladningen fjernes ladekablet fra stikkontakten, og afbryd derefter fra maskine.
7. Sæt opsamlingsstanken på plads igen.

**BEMÆRK**

For yderligere information om driften af batteriopladeren (29), se det relevante afsnit.

RENGØRING AF GUMMISKRABEREN**BEMÆRK**

Gummiskraberen skal være rent og dens vinger skal være i god stand, for at få en god tørring.

**FORSIGTIG!**

Det er tilrådeligt at bære beskyttelseshandsker ved rengøring af gummiskraberen fordi der kan være skarpe vragdele.

KONTROL OG ERSTATNING AF GUMMISKRABERENS BLADE

1. Fjern gummiskraberen som vist i det foregående afsnit.
2. Kontroller, om kanten af forreste / bagerste blade er revnede eller ødelagte, om nødvendigt udskift dem med nye.
3. Skru møtrikken af (37) for at fjerne knivene.
4. Kontroller de forreste / bageste blade for integritet, revner og flænses. Hvis de ikke er tilstrækkelige, vend eller erstat dem.
5. Installer gummiskraberen i omvendt rækkefølge.

RENGØRING AF BØRSTE-/PUDEHOLDER**FORSIGTIG!**

Det er tilrådeligt at bære beskyttelseshandsker ved rengøring af børste/pude, fordi der kan være skarpe vragdele.

1. Fjern børsten / puden som vist i brug kapitel.
2. Rengør og vask børsten / puden med vand og rengøringsmiddel.
3. Kontroller børstehårene for integritet og iført status; om nødvendigt udskifte børsten.
4. Kontroller puden; om nødvendigt udskift den.

RENGØRING AF TANK/VAKUUMNET OG KONTROL AF DÆKSEL**FORSIGTIG!**

Det er tilrådeligt at bære beskyttelseshandsker ved rengøring af tank/vakuumdele, fordi der kan være skarpe vragdele.

1. Flyt maskinen til det udpegede bortskaffelse område.
2. Sluk for hovedafbryderen (47).
3. Tag genindvindingstanken (2), rens og skyl begge løsninger / opsamlingstanken, og løb ud.
4. Tag alle vakuum kits, pakning, filter, ren og re-installere.
5. Kontroller genindvindingstanken låg pakning ring og vakuum gummi stik (18) mellem to tanke er integritet eller ej.



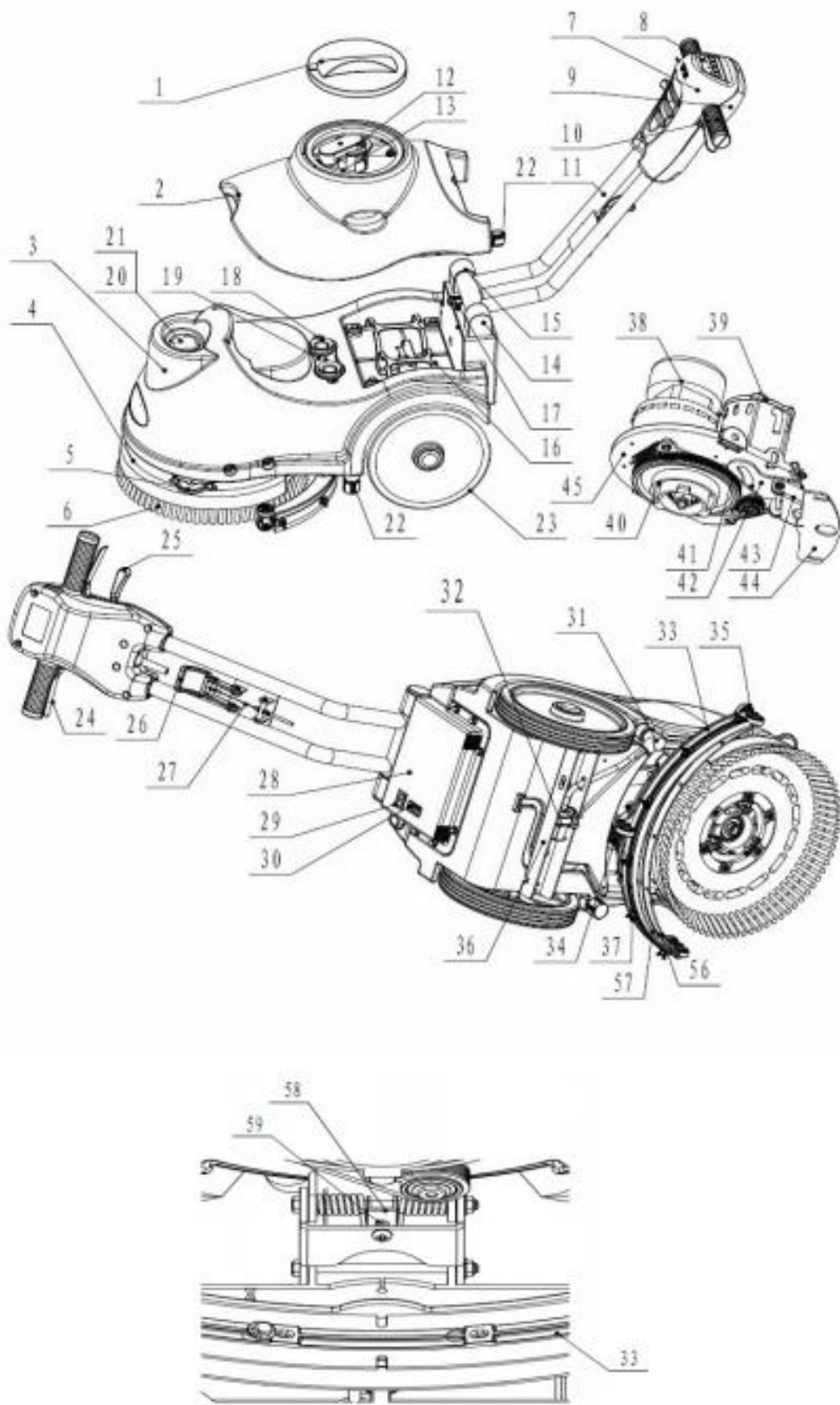
BEMÆRK

Pakningen ringen for inddrivelse tank og gummi stik mellem to tanke skaber vakuum i tanken. Hvis det er nødvendigt, erstat dem.

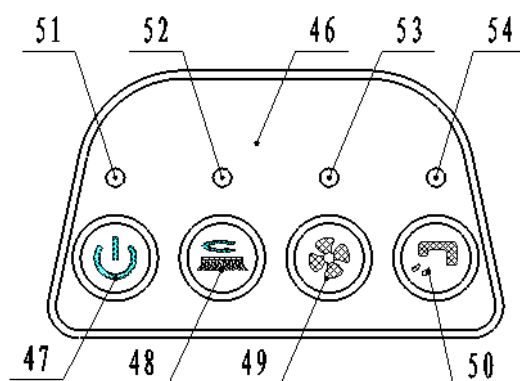
MASKINENS STRUKTUR

1. Opsamlingstankens låg
2. Opsamlingstank
3. Opløsningsstank
4. Børstedække
5. Beskyttende rullere
6. Børste
7. Forreste håndtag
8. Kontrolpanel
9. Bagerste håndtag
10. Gummihåndtag
11. Håndteringsjern
12. Samling af gummiskraber-vakuum
13. Samling af gummiskraber-sugning
14. Venstre positionering
15. Højre positionering
16. Batterier
17. Lås
18. Gummiforsegling
19. Slangeforsamling
20. Indgang
21. Opløsningsfilter
22. Opløsnings-dræningstank
23. Hjul på fikseret akse
24. Håndtag – venstre og højre
25. Håndtag rotering
26. Gummiskrabers løftehåndtag
27. Gummiskrabers string
28. Kassekredsløb
29. Oplader
30. Indikator til batteriopladning
31. Kontrolhåndtag til opløsningsgennemstrømning
32. Elektromagnetisk ventil data
33. Gummiskraber

34. Gummiskrabers slange
35. Gummiskrabers hjul
36. Akse
37. Møtrik
38. Vakuumsystemets motor
39. Børste motor
40. Drivbælte
41. Bælte
42. Gummiskrabers roteringsplade
43. Gummiskrabers løfteplade
44. Gummiskrabers fikseringsplade
45. Motor fikseringsplade



Kontrolpanel



- | | |
|--|--|
| 46. Kontrolpanel | 51. Indikator for elektrisk mængde |
| 47. Hovedafbryder | 52. Børstemotor indikator |
| 48. Børstemotor-kontakt | 53. Vakuummotor indikator |
| 49. Vakuummotor-kontakt | 54. Elektromagnetisk ventil data kontakt |
| 50. Elektromagnetisk ventil data kontakt | |

TEKNISKE DATA

MODEL	AS380/15B-EU/UK
Maskinens længde*bredde*højde	770x500x550 MM
Opløsningsstankens kapacitet	15 L
Indsamlingstankens kapacitet	15 L
Hjulets diameter	254 MM
Børstemotor data	24 V 250 W
Vakuummotor data	24 V 250 W
Elektromagnetisk ventil data	24 V
Maksimal hældning	2 %
Støjniveau	65 dBA
Batteri data	(2X12V) 24 V 33 Ah/20 h
Længde på strømkabel	/
Info om batterier	196 x 130 x 175 mm
Arbejdskapacitet, op til	800 mm H ₂ O
Rengøringsproduktivitet	750 m ² /time
Gummiskraberens bredde	490 mm
Børstens diameter	380 mm
Børste rpm	150 rpm
Oplader	Input 100-240 Vak, 50-60 HZ Effekt 24 Vdc, 5 A
Maskinens vægt	60 kg
Maskinens vægt (med oplader og pakke)	65 kg
Specifikationer på pakke	780x145x590 MM

FEJLFINDING

Problem	Mulig årsag	Løsning
Maskinen virker ikke, indikatorlampe (51) tændes ikke	Batteristikket er afbrudt	Forbind
	Batterierne er helt afladet	Oplad batterierne
	Ledning afbrudt fra strømmen	Forbind
Maskinen virker ikke, indikatorlampe (51) lyser rødt	Batterierne er helt afladet	Oplad batterierne
Børstemotor virker ikke, børste indikatorlampe (52) tændes ikke	PCB eller tastatur er defekt	Skift PCB eller tastaturet
Børstemotor virker ikke, børste indikatorlampe (52) blinker	Motoren er overbelastet	Brug mindre aggressive børster egnede til gulvet, der skal rengøres
	Der er fremmedmaterialer (sammenfiltrede tråde osv) der forhindrer børsten i at rotere	Rengør børsteholder
Vakuumsystemmotor virker ikke, Vakuumsystemindikatorlampe (53) tændes ikke	PCB eller tastatur er defekt	Skift PCB eller tastaturet
Vakuumsystemmotor virker ikke, Vakuumsystemindikatorlampe (53) blinker	Vakuumsystemet motoren er overbelastet	Kontroller vakuumsystem motor
Sugestyrken er utilstrækkelig	Opsamlingstanken er fuld.	Tøm opsamlingstanken
	Slangen er afbrudt fra gummiskraberen	Forbind
	Vakuumsamling er tilstoppet	Rengør og kontroller
	Gummiskraberen er beskidt, eller gummiskraberbladene er slidte eller beskadigede	Rengør og kontroller gummiskraberen
	Opsamlingstanken er ikke låst	Lås låsen(17)
	Tankdækslet ikke er helt lukket, eller pakningen er beskadiget	Luk dækslet ordentligt eller udskift pakningen
Strømmen af opløsning er utilstrækkelig.	Opløsningstankens filter er beskidt	Rengør filter
	Der er ikke mere opløsning	Fyld tanken op
	Opløsningstankens strømstyreventil (31) er blokeret	Rengør ventil
	Opløsningen er beskidt	Tøm opløsningen, rengør tanken og fyld med ren opløsning
Gummiskraberen efterlader mærker på gulvet.	Der er snavs under gummiskraberens knive	Fjern snavs
	Gummiskraberknivene er slidte, tilhuggede eller revnede	Udskift knivene

SÄKERHETSFÖRESKRIFTER

Denna maskin är avsedd för kommersiellt bruk. Den är konstruerad för användning inomhus och är inte avsedd för någon annan användning. Använd endast tillsammans med rekommenderade tillbehör.

Alla operatörer ska läsa, förstå och använda följande säkerhetsåtgärder:

1) ANVÄND INTE MASKINEN:

Utan utbildning och behörighet.
Om du inte har läst och förstått bruksanvisningen.
I brandfarliga eller explosiva områden.
Om den inte är i korrekt drifttillstånd.
Utomhus.

2) INNAN DU ANVÄNDER MASKINEN:

Kontrollera att alla säkerhetsanordningar är på plats och fungerar väl.

3) NÄR DU ANVÄNDER MASKINEN:

Gå långsamt på lutande och hala underlag.
Följ alla säkerhetsanvisningar.
Var mycket försiktig när du kör maskinen baklänges.
Rapportera och åtgärda eventuella skador på maskinen innan du använder den.

4) INNAN DU LÄMNA R ELLER UTFÖR SERVICE PÅ MASKINEN:

Stoppa maskinen på ett plant underlag.
Stäng av maskinen.

5) NÄR DU UTFÖR SERVICE PÅ MASKINEN:

Läs bruksanvisningen noggrant före drift eller underhåll av denna maskin.
Använd endast reservdelar som levererats eller godkända av tillverkaren.
Säkra maskin med hjulblock innan du lyfter upp maskinen.
Använd godkänd domkraft eller lyftanordning för att lyfta maskinen på ett säkert sätt.

NÄR DU UTFÖR SERVICE PÅ MASKINEN:

Koppla bort batterierna innan du utför arbeten på maskinen.
Använd skyddshandskar vid hantering av batterier eller batterikablar.
Undvik kontakt med batterisyra.
Undvik rörliga delar, bär inte löst sittande kläder medan du utför arbeten på maskinen.



VARNING!

Batterier avger vägas. Explosion eller brand kan bli följden av vägas. Håll på avstånd från gnistor och öppna låga! Håll batterifacket öppet vid laddning.



VARNING!

Brandfarligt material kan orsaka explosion eller brand. Använd inte lättantändligt material i behållaren.



VARNING!

Brandfarligt material eller reaktiva metaller kan orsaka explosion eller brand. Dammsug inte dem.

INSTÄLLNING AV MASKIN OCH INSTALLATION

UPPACKNING AV MASKIN

Se till att kontrollera förpackningskartongen för eventuella skador. Rapportera omedelbart eventuella skador till transportören.

Kontrollera innehållet i förpackningen för att se till att följande artiklar ingår:

1. Maskin
2. Batterier (x2)
3. Gummiskrapa
4. Bruksanvisning för skrubber/torkmaskin
5. Bruksanvisning för elektrisk batteriladdare (om den medföljer)
6. Anslutningskabel för batteri och laddare (om de medföljer)
7. Borst- eller dynhållare (om de medföljer)

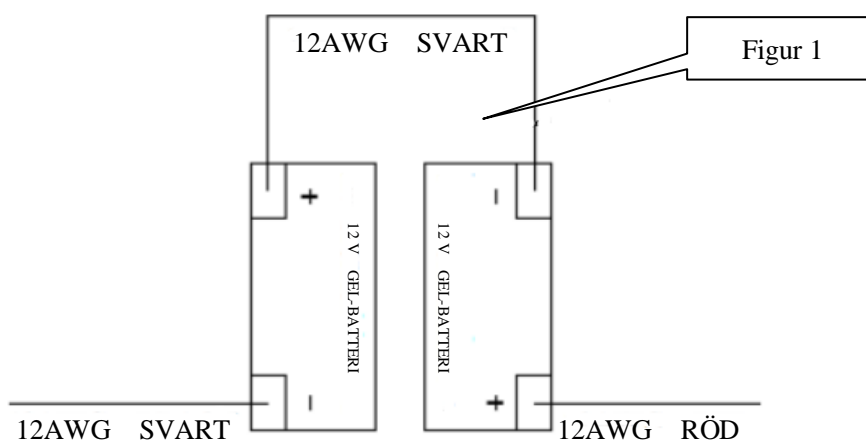
DEMONTERING OCH INSTALLATION AV BATTERI

1. Stäng av huvudströmbrytaren (47).
2. Ta bort återvinningsbehållaren (2) såsom visas i stycket.
3. Skruva loss bultarna från batteriet (16) och sedan ta ut det eller byt ut det.
4. Montera batterierna i maskinen enligt bilden nedan.
5. Sätt tillbaka återvinningsbehållaren.



VARNING

Anslut inte + till + eller - till - vid demontering eller installation av batterier. Det är mycket farligt.



Batteriladdning

Ladda batterierna (se avsnittet underhåll).

INSTÄLLNING AV MASKIN

Kontroller före drift

1. Sopa eller damma av ytan som ska rengöras.
2. Kontrollera att gummiskrapan är korrekt installerad.
3. Sänk gummiskrapan (33) med spaken (26).
4. Kontrollera att batteriet är fulladdat. (Se BATTERILADDNING)
5. Kontrollera att borsten/dynan är korrekt installerad.

Installation och demontering av borst-/dynhållare



OBS!

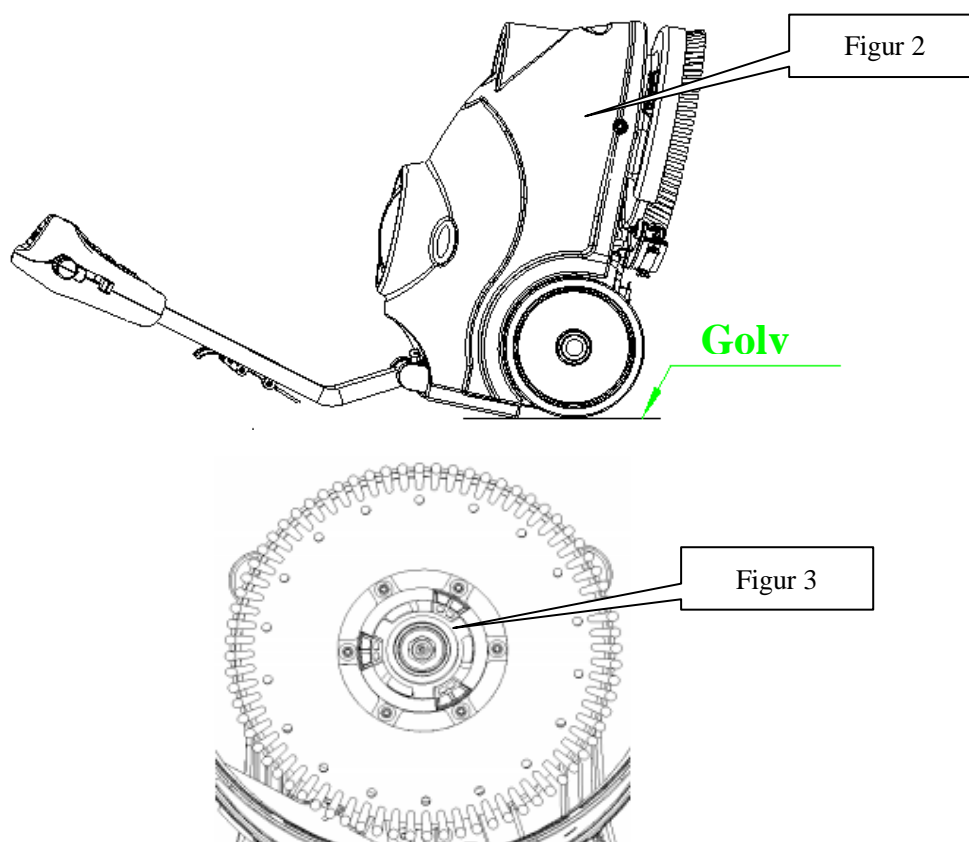
Installera endast manuellt. Om den installeras automatiskt, så kommer borstens nav att nås ut.
Se till att behållarna är tomma innan borsten demonteras.

1. Stäng av maskinen.
2. Lägga ned maskinen i läget som visas i figur 2, dra upp lyftspaken (26) för att höja gummiskrapan (33).
3. Montera borsten eller dynhållaren på drivhjulet och vrid sedan moturs tills den låses på plats, såsom framgår av figur 3.
4. För att ta bort borsten/dynan, vrid den medurs tills den lossnar från drivhjulet.



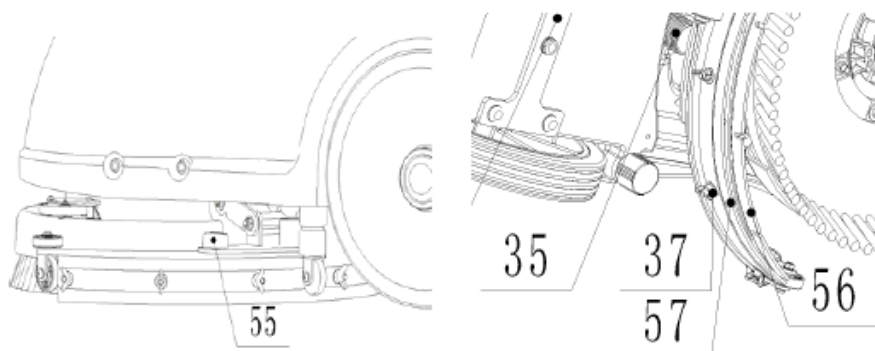
VARNING

Slå inte på maskinen när den befinner sig i detta läge. Borsten/dynan kan lossna och orsaka personskada.



Installation av gummiskrapa

1. Stäng av maskinen (47).
2. Dra ner gummiskrapans lyftspak (26) för att lägga ner gummiskrapan i arbetsläge.
3. Lägga ned maskinen i det läge som visas i figur 2.
4. Lossa de tvårrattarna (55) på gummiskrapan och skjut gummiskrapan i dess skåror.
Dra åt vredet ordentligt (skruva loss vredet, vid demontering).
5. För att byta ut den främre/bakre gummiskrapan (56/57), skruva loss muttern (37).



Fylla på lösningsbehållaren



OBS!

Maskinen kan fyllas på via rör eller hink. Ta inte bort filtret (21) under påfyllning.

1. Håll vatten i lösningsbehållaren (3) genom inloppet (20) via rör eller hink.
2. Fyll inte lösningsbehållaren helt, lämna några centimeter från kanten.
3. Vattentemperaturen får inte överstiga 40°C.



FÖRSIKTIGHET!

Använda endast lågskummande och brandtåligt rengöringsmedel som är avsett för automatisk skrubbing.

Tömma lösningsbehållaren



OBS!

Lösningsbehållaren bör tömmas och rengöras efter varje användning.

1. Skruva av tömningslocket (22) på lösningsbehållarens undersida. Lösningen/vatten kommer att rinna ut i en hink eller golvbrunn.
2. Skölj lösningsbehållaren med rent vatten efter varje användning. Det förhindrar kemiska avlagringar.
3. Skruva tillbaka tömningslocket (22).

Tömma återvinningsbehållaren



OBS!

Återvinningsbehållaren bör tömmas och rengöras efter varje användning.

1. Vrid spärren (17) på återvinningsbehållaren, ta av återvinningsbehållaren från maskinen genom att ta tag i de två fjädrarna. Öppna locket (1) och vänd återvinningsbehållaren för att tömma smutsvattnet i en behållare eller skruva av tömningslocket (22) för att låta vattnet rinna ut genom ett rör till en hink.
2. Rengör och skölj återvinningsbehållaren med rent vatten efter varje användning.
3. Sätt tillbaka återvinningsbehållaren på maskinen och vrid spärren (17) för att låsa behållaren..

MASKINDRIFT

1. Ställ in handtaget till en bekväm höjd genom att trycka på spaken (25).

2. Sänk gummiskrapan (33) till golvet genom att dra ner lyftmekanismen (26).
3. Slå på huvudströmbrytaren (47).
4. Slå på strömbrytaren för borstmotorn (48) och för lösningen (50). Indikatorlampan kommer att lysa.
5. Slå på strömbrytaren för vakuummotorn (49). Indikatorlampan kommer att lysa.
6. Vid behov, justera vattenflödet genom att vända på kulventilen (31) manuellt.
7. Dra i en eller båda driftutlösare (24), borsten kommer att börja snurra och lösningen att rinna ut. Flytta maskinen och påbörja rengöringen.

OBS!

Om batteriets indikatorlampa (51) är grön, så kan maskinen användas. Om den är gul eller röd, så måste batterierna laddas.



FÖRSIKTIGHET!

Innan du lyfter borsten, stäng av den genom att trycka på strömbrytaren (47).



FÖRSIKTIGHET!

Vid rengöring av mycket grova golv eller annat kan detta leda till att maskinen inte fungerar. Borstmotorn och vakuuminikatorer på kontrollpanelen (46) kommer att blinka samtidigt. Det betyder att maskinen är överbelastad.

Stäng av alla strömbrytarna på kontrollpanelen (46).



FÖRSIKTIGHET!

Använd inte maskinen med urladdade batterier för att undvika skador på batterierna och minskad batteritid.

EFTER ATT HA ANVÄNT MASKINEN

Efter användning, utför åtgärderna nedan innan maskinen stängs av:

1. Ta bort borst-/dynhållaren.
2. Skölj och torka behållarna.
3. Utför dagligt underhåll (se avsnittet underhåll).
4. Förvara maskinen med borst-/dynhållaren och gummiskrapa på en ren och torr plats.
5. Om förvaring sker på en plats som kan uppnå mycket kalla temperaturer, se till att tömma alla väskor från maskinen innan den ställs undan. Skador som orsakats av kyla omfattas inte av garantin.

NÄR MASKINEN INTE ANVÄNDS UNDER LÄNGRE PERIODER

Om maskinen inte kommer att användas i mer än 30 dagar, utför åtgärderna nedan:

1. Utför åtgärderna som visas i stycket "Efter att ha använt maskinen".
2. Koppla ur batterikontakten.

UNDERHÅLL

Livslängden på maskinen och dess högsta driftsäkerhet säkerställs genom ett korrekt och regelbundet underhåll. Följande tabell visar det planerade underhållet. De intervall som visas kan variera beroende på särskilda arbetsförhållanden. Dessa kommer att definieras av personen som ansvarar för underhållet.



VARNING

Underhållsrutiner måste utföras när maskinen är avstängd och batterier/batteriladdningskabeln urkopplad. Läs noga igenom anvisningen i kapitlet säkerhet.

BRUKSANVISNING

Alla schemalagda eller extraordinära underhållsrutiner måste utföras av kvalificerad personal eller en auktoriserad serviceverkstad.

Denna handbok beskriver endast enklare och vanligt förekommande underhållsrutiner.

För andra underhållsrutiner som inte ingår i underhållsschemat nedan, se servicehandboken som kan konsulteras på alla våra serviceverkstäder.

TABELL ÖVER PLANERAT UNDERHÅLL

Åtgärd	Dagligen, efter att ha använt maskinen	Varje vecka	Varje halv år	Varje år
Batteriladdning				
Rengöring av gummiskrapa				
Borstrengöring				
Rengöring av behållare och vakuumnät med flottör. Kontroll av lockets packning				
Kontroll och utbyte av gummiskrapans blad				
Rengöring av lösningsfilter				
Rengöring av filter för utloppsvatten				
Kontroll av skruvar och muttrar			(1)	
smörjning av roterande delar			(1)	
Kontroll eller utbyte av borst-/dynhållarens morotkolborste				(2)
Kontroll eller utbyte av sugmotorns kolborste				(2)

(1) Och efter den första 8 timmarna av drift.

(2) Denna underhålls åtgärd måste utföras av en auktoriserad viper serviceverkstad.

BATTERILADDNING



OBS!

Ladda batterierna när den gula eller röda indikatorn (51) är på eller i slutet av varje arbetscykel.



FÖRSIKTIGHET!

Att hålla batterierna laddade förlänger deras livstid.



FÖRSIKTIGHET!

Om maskinen inte är utrustad med en inbyggd batteriladdare, välj en extern batteriladdare som är lämplig för den typ av batterier som är installerade.



VARNING!

Använd en laddare som godkänns av viper



VARNING!

Var försiktig när du laddar VÅTA batterier eftersom batterivätska kan läcka. Batterivätska är frätande. Om den kommer i kontakt med hud eller ögon, skölj noggrant med vatten och kontakta läkare.

1. Placera laddaren och maskinen i ett väl ventilerat utrymme.
2. Stäng av maskinen (47).
3. Ta bort återvinningsbehållaren (2), öppna batterifacket.
4. Anslut laddningskabeln till ett jordat vägguttag (100v ~ 240v).
Anslut laddningskabeln till maskinens uttag.
5. Laddningsindikatorlampan (30) tänds vilket betyder att den laddas. Grönt ljus betyder att laddningen är klar.
6. Efter att laddningen är klar, dra först ut laddningskabeln från vägguttaget och koppla sedan bort den från maskinen.
7. Sätt tillbaka återvinningsbehållaren.



OBS!

För ytterligare information om batteriladdaren (29), se det relevanta stycket.

RENGÖRING AV GUMMISKRAPA



OBS!

Gummiskrapan måste vara ren och dess blad måste vara i gott skick för att få en bra torkning.



FÖRSIKTIGHET!

Använd skyddshandskar när du rengör gummiskrapan eftersom det kan finnas vassa föremål bland skröpet.

KONTROLL OCH UTBYTE AV GUMMISKRAPANS BLAD

1. Ta bort gummiskrapan såsom visas i föregående stycke.
2. Kontrollera om kanten på det främre/bakre bladet är trasigt eller sprucket, vid behov byt ut bladen.
3. Skruva loss sex stycken muttrar (37) för att ta bort bladen.
4. Kontrollera att de främre/bakre bladen är hela och utan sprickor eller repor. Om de inte är lämpliga, byt ut dem.
5. Installera gummiskrapan i omvänt ordning.

RENGÖRING AV BORST-/DYNHÅLLARE



FÖRSIKTIGHET!

Använd skyddshandskar när du rengör borsten/dynan eftersom det kan finnas vassa föremål bland skröpet.

1. Ta bort borsten/dynan såsom visas i avsnittet användning.
2. Rengör och tvätta borsten/dynan med vatten och rengöringsmedel.
3. Kontrollera att borsten är hel och inte utnött, vid behov byt ut borsten.
4. Kontrollera att dynan är hel och inte utnött, vid behov byt ut dynan.

RENGÖRING AV BEHÅLLARE OCH VAKUUMNÄT MED FLOTTÖR. KONTROLL AV LOCKETS PACKNING



FÖRSIKTIGHET!

Använd skyddshandskar när du rengör behållaren och vakuum/sugsystemet eftersom det kan finnas vassa föremål bland skröpet.

BRUKSANVISNING

1. Flytta maskinen till ett utsett område.
2. Stäng av huvudströmbrytaren (47).
3. Ta av återvinningsbehållaren (2), rengör och skölj både lösnings-/återvinningsbehållaren.
4. Ta bort alla vakuumpaket, packning, filter, rengör och installera tillbaka.
5. Kontrollera packningsringen på återvinningsbehållarens lock och vakuumpackningen (18) mellan de två behållarna och se till att de är hela.



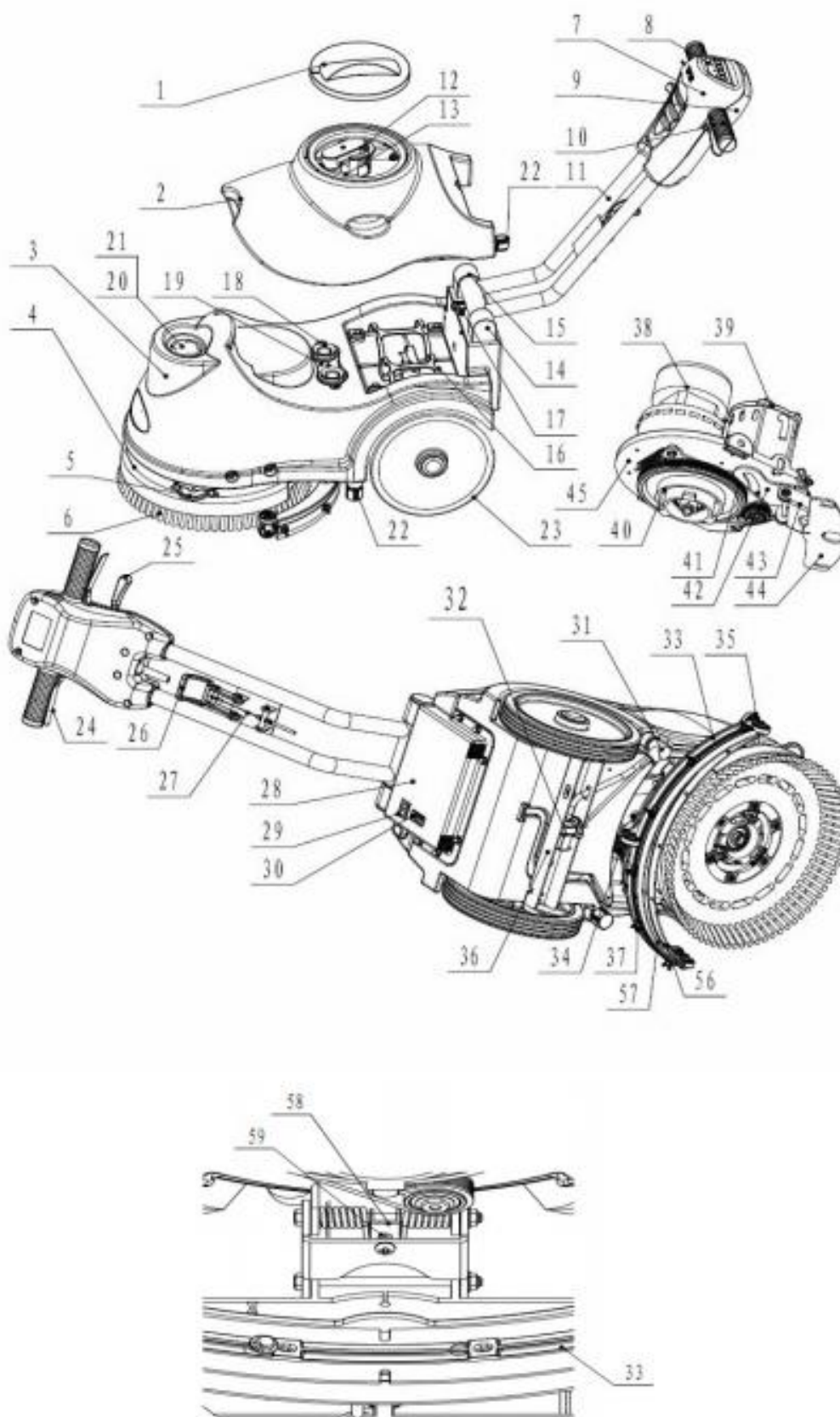
OBS!

Packningsringen på återvinningsbehållaren och gummianslutningen mellan de två behållarna skapar vakuumpackning i behållarna. Byt ut dem vid behov.

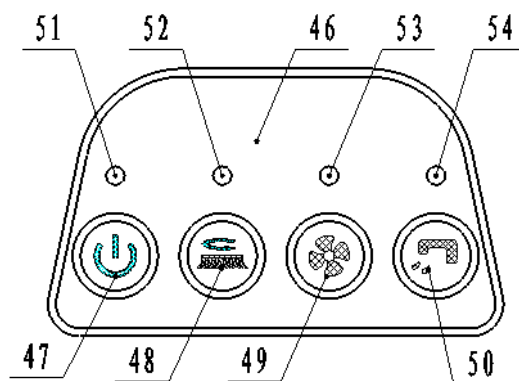
MASKINENS STRUKTUR

1. Lock återvinningsbehållare
2. Återvinningsbehållare
3. Lösningsbehållare
4. Borstskydd
5. Skyddsrollar
6. Borste
7. Främre handtagets hölje
8. Kontrollpanel
9. Bakre handtagets hölje
10. Handtagets gummi
11. Handtagets järnrör
12. Gummiskrapans vakuumsystem
13. Gummiskrapans sugsystem
14. Vänster positionering
15. Höger positionering
16. Batterier
17. Spär
18. Gummitätning
19. Gränsslangfog
20. Inlopp
21. Lösningfilter
22. Tömningshål i lösningsbehållare
23. Hjul på fast axel
24. Vänster och höger handtag
25. Handtagets vridspak
26. Gummiskrapans lyftspak
27. Gummiskrapans snodd
28. Boxkrets
29. Laddare
30. Batteriladdningsindikator
31. Lösningflödesmanöver-spak
32. Magnetventil data
33. Gummiskrapa

34. Gummiskrapans slang
35. Gummiskrapans hjul
36. Axel
37. Mutter
38. Vakuumsystemets motor
39. Borstmotor
40. Drivrem
41. Rem
42. Gummiskrapans rotationsplatta
43. Gummiskrapans lyftplatta
44. Gummiskrapans fästplatta
45. Motorns fästplatta



Kontrollpanel



- | | |
|---|--|
| 46. Kontrollpanel | 51. Elektrisk kvantitetsindikator |
| 47. Huvudströmbrytare | 52. Borstmotorns indikator |
| 48. Borstmotorns strömbrytare | 53. Vakuummotorns indikator |
| 49. Vakuummotorns strömbrytare | 54. Elektromagnetisk sugventil dataindikator |
| 50. Elektromagnetisk sugventil dataströmbrytare | |

TEKNISKA DATA

MODELL	AS380/15B-EU/UK
Maskinens längd * bredd * höjd	770 x 500 x 550 MM
Lösningstank volym	15 L
Återvinningstank volym	15 L
Hjuldiameter	254 MM
Borstmotor data	24 V 250 W
Vakuummotor data	24 V 250 W
Magnetventil data	24 V
Maximal lutning	2 %
Ljudnivå	65 dBA
Batteri data	(2X12 V) 24 V 33 Ah/20 h
Strömkabel längd	/
Batterier	196 x 130 x 175 mm
Driftkapacitet, upp till	800 mm H ₂ O
Rengöringsproduktivitet	750m ² /h
Gummiskrapans bredd	490 mm
Borstdiameter	380 mm
Borste rpm	150 rpm
Laddare	Ingång 100-240 Vac, 50-60 Hz Utgång 24 Vdc, 5 A
Maskinvikt	60 kg
Maskin vikt (med laddare och förpackning)	65 kg
Kartong	780 x 145 x 590 MM

FELSÖKNING

Problem	Möjlig orsak	Åtgärd
Maskinen fungerar inte, indikatorlampan (51) lyser inte	Batterikontakten är frånkopplad	Koppla in den
	Batterierna är helt urladdade	Ladda batterierna
	Elsladden är bortkopplad från elnätet	Koppla in den
Maskinen fungerar inte, indikatorlampan (51) lyser röd	Batterierna är urladdade	Ladda batterierna
Borstmotorn fungerar inte, borstens indikatorlampa (52) lyser inte	Fel på målnsterkort eller tangentbord	Byt ut målnsterkort eller tangentbord
Borstmotorn fungerar inte, borstens indikatorlampa (52) blinkar	Däckmotorn är överbelastad	Använda mindre aggressiva borstar som är lämpade för det golv som ska rengöras
	Det finns främmande material (intrasslade trådar etc) som hindrar borsten från att snurra	Rengör borsten
Vakuummotorn fungerar inte, vakuummotorns indikatorlampa (53) lyser inte	Fel på målnsterkort eller tangentbord	Byt ut målnsterkort eller tangentbord
Vakuummotorn fungerar inte, vakuummotorns indikatorlampa (53) blinkar	Vakuumsystemets motor är överbelastad	Kontrollera vakuumsystemets motor
Sugeffekten är inte tillräcklig	Återvinningsbehållaren är full	Töm återvinningsbehållaren
	Slangen är frånkopplad från gummiskrapan	Koppla in den
	Vakuumenheten är tilltätad	Rengör eller kontrollera
	Gummiskrapan är smutsig eller gummiskrapans blad är utslitna eller skadade	Rengör och kontrollera gummiskrapan
	Återvinningsbehållaren läcker	Lås spärr (17)
	Behållarens lock är inte stängt ordentligt eller säkring är packningen skadad	Stäng locket ordentligt eller byt ut packningen
Lösningstillödet är inte tillräckligt.	Lösningstillödet är smutsigt	Rengör filtret
	Lösningstillödet är tomt	Fyll på behållaren
	Lösningens flödesstyrventil (31) är blockerad	Rengör ventilen
	Lösningen är smutsig	Töm lösningstillödet, rengör den och fyll på med ren lösning
Gummiskrapan lämnar märken på golvet	Det finns skrapp under gummiskrapans blad	Ta bort skrapp
	Gummiskrapans blad är slitna, flisade eller trasiga	Byt ut bladen

SIKKERHETSANVISNINGER

Denne maskinen er beregnet for kommersiell bruk. Den er laget for bruk innendørs og er ikke beregnet for annen bruk. Bruk bare anbefalt tilbehør.

Alle operatører må lese gjennom, forstå og overholde følgende sikkerhetsanvisninger:

1) IKKE BRUK MASKINEN:

Uten opplæring og tillatelse.

Med mindre du har lest og forstått brukerhåndboken.

I brannfarlige eller eksplosjonsfarlige omgivelser.

Hvis den ikke er i forskriftsmessig stand.

Utendørs.

2) FØR MASKINEN TAS I BRUK:

Sjekk at alle sikkerhetsanordninger er på plass og fungerer som de skal.

3) VED BRUK AV MASKINEN:

Gå forsiktig i hellinger og på glatte gulv.

Følg alle sikkerhetsanvisninger.

Utvis ekstra forsiktighet når du kjører maskinen bakover.

Eventuelle skader på maskinen må gis beskjed om og utbedres før den brukes.

4) FØR MASKINEN FORLATES ELLER VEDLIKEHOLDES:

Stopp maskinen og sett den på et jevnt underlag.

Slå av maskinen.

5) VED VEDLIKEHOLD AV MASKINEN:

Les nøye gjennom brukerhåndboken før bruk og vedlikehold av denne maskinen.

Bruk kun reservedeler som er godkjent eller levert av produsenten.

Maskinen må sikres med hjulblokker før den jekkes opp.

Bruk kun godkjent jekk for å heve maskinen på en trygg måte.

VED VEDLIKEHOLD AV MASKINEN: (fortsettelse)

Koble fra batteriene før det utføres arbeid på maskinen.

Bruk hansker ved håndtering av batterier eller batterikabler.

Unngå enhver kontakt med batterisyre.

Unngå bevegelige deler, ikke vær iført løstsittende ved vedlikehold på maskinen.

**ADVARSEL!**

Batteriene avgir hydrogengass. Denne gassen kan forårsake eksplosjon eller brann. Hold maskinen borte fra gnister og åpen flamme! La batterirommet være åpent under lading.

**ADVARSEL!**

Brannfarlige materialer kan føre til eksplosjon eller brann. Ikke bruk brannfarlige materialer i tankene.

**ADVARSEL!**

Brannfarlige materialer eller reaktive metaller kan føre til eksplosjon eller brann. Slike materialer må ikke suges opp.

INSTALLASJON OG KLARGJØRING

UTPAKKING

Sjekk emballasjen for eventuelle skader. Meld fra umiddelbart om skader til transportøren.
Sjekk at følgende elementer finnes i emballasjen:

1. Maskin
2. Batterier (x2)
3. Nalenhet
4. Brukerhåndbok
5. Håndbok for batterilader (hvis maskinen er utstyrt med lader)
6. Batterikabel og ladekabel (hvis maskinen er utstyrt med lader)
7. Børste eller pad (hvis maskinen er utstyrt med dette)

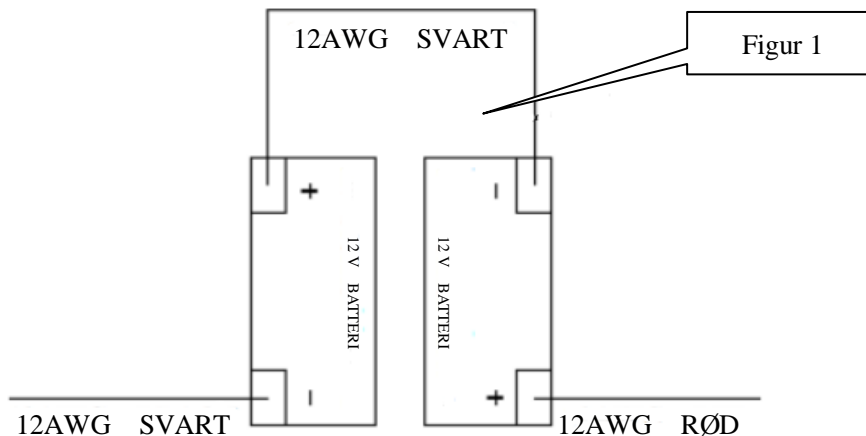
SETTE INN/TA UT BATTERIER

1. Slå av hovedbryteren (47).
2. Ta av oppsamlingstanken (2) som vist senere i håndboken.
3. Skru av bolten fra batteriene (16) og ta ut eller skift batterier.
4. Sett batteriene inn i maskinen i henhold til figuren nedenfor.
5. Sett på plass oppsamlingstanken.



ADVARSEL!

Ikke koble + to +, eller - til -, når batteriene tas ut eller settes inn. Dette er svært farlig.



Batterilading

Lad opp batteriene (se prosedyre i delen som omhandler vedlikehold).

KLARGJØRING AV MASKINEN

Sjekk før bruk

1. Kost eller tørrmopp gulvet som skal rengjøres.
2. Sjekk at nalen er riktig montert.
3. Koble nalen (33) til hendelen (26).
4. Sjekk at batteriet er fulladet (se "Batterilading").
5. Sjekk at børste/pad er riktig montert.

Sette på og ta av børste/pad



MERK

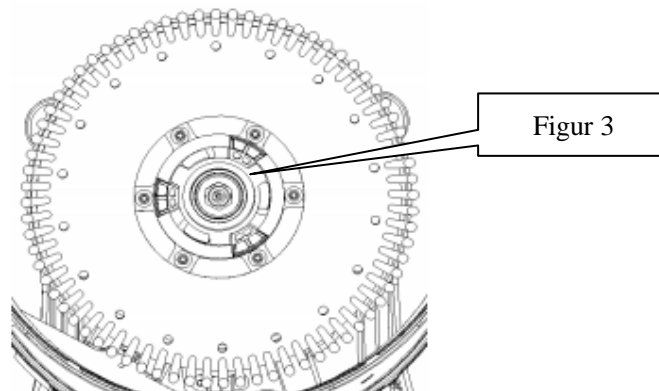
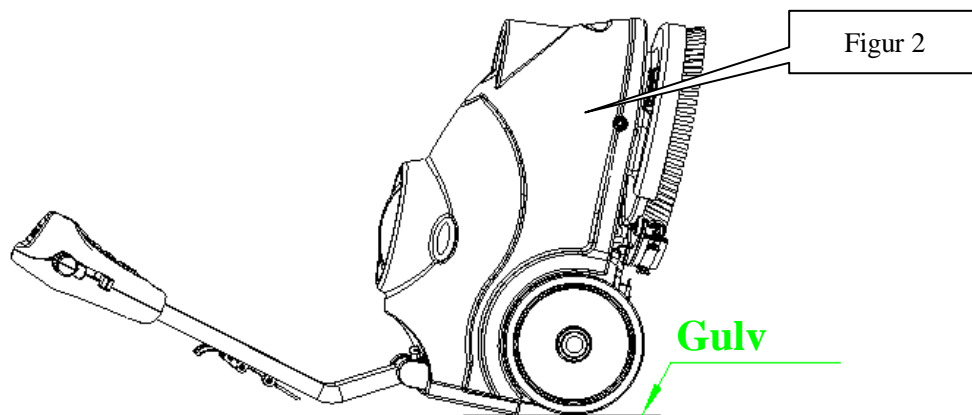
Må settes på manuelt. Hvis motoren brukes for å sette på en børste/pad, vil den ikke låses på plass. Sørg for at tankene er tomme før du tar av børsten.

1. Slå av maskinen.
2. Legg ned maskinen i posisjonen som vis i figur 2. Trekk i nalhendelen (26) for å heve nalen (33).
3. Monter børste eller pad på drivhjulnavet og dreii den mot klokken til den låses på plass, som vist i figur 3.
4. For å ta av børste/pad, dreii den med klokken til den løsner fra drivhjulnavet.



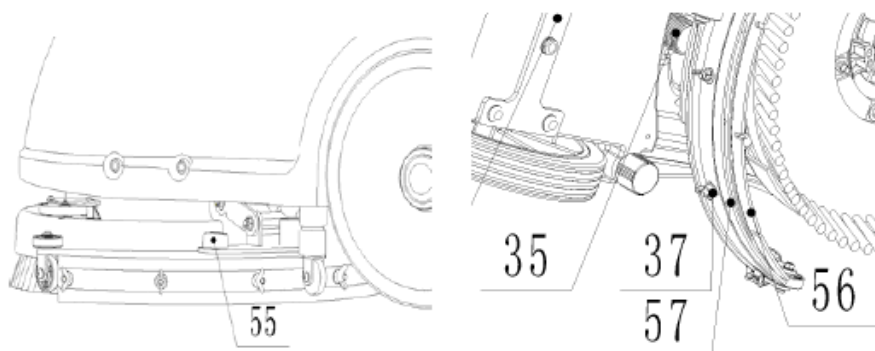
ADVARSEL!

Ikke slå på maskinen når den står i posisjonen som vist nedenfor. Børste/pad kan løsne og føre til personskade.



Montering av nal

1. Slå av maskinen (47).
2. Bruk nalhendelen (26) til å sette ned nalen i arbeidsposisjon.
3. Legg ned maskinen i posisjonen som vist i figur 2.
4. Løse de to skruene (55) på nalen og skyv nalen inn i sporene på nalbrakettene. Stram til skruene (skru ut skruene ved demontering).
5. For å skifte fremre/bakre nal (56/57), skru ut vingemutteren (37).



Fylling av vanntank



MERK

Tanken kan fylles via et rør eller med en bøtte. Ikke fjern vannfilteret (21) ved påfylling.

1. Fyll vann på vanntanken (3) via innløpet (20) med et rør eller en bøtte.
2. Ikke fyll tanken helt full, la vannet være noen få centimeter fra kanten.
3. Vanntemperaturen må ikke overstige 40 °C.



FORSIKTIG!

Bruk bare lavtskummende og ikke-brennbare rengjøringsmidler som er beregnet for gulvrensjøringsmaskiner.

Tømming av vanntanken



MERK

Vanntanken bør tømmes og rengjøres etter hver bruk.

1. Skru ut tappepluggen (22) i bunnen av tanken. Løsningen/vannet kan tappes i en bøtte eller ned i et sluk.
2. Skyll tanken med rent vann etter hver bruk. Dette vil hindre at det bygger seg opp kjemikalier.
3. Skru på plass tappepluggen (22).

Tømming av oppsamlingstanken



MERK

Oppsamlingstanken bør tømmes og rengjøres etter hver bruk.

1. Drei låsen (17) for oppsamlingstanken, ta av oppsamlingstanken fra maskinen ved å løfte den etter de to sporene. Åpne lokket (1) og legg oppsamlingstanken over på siden for å tømme ut det skitne vannet i en beholder, eller skru ut tappepluggen (22) for å tømme ut vannet i en bøtte.
2. Skyll og rengjør oppsamlingstanken med rent vann etter hver bruk.
3. Sett på plass oppsamlingstanken på maskinen og drei låsen (17) for å låse tanken.

MASKINDRIFT

1. Juster skyvehåndtaket til passelig høyde ved hjelp av hendelen (25).
2. Senk nalen (33) ned på gulvet med nalhendelen (26).

3. Slå på hovedbryteren (47).
4. Slå på børstemotorbryteren (48) og vann-dysebryteren (50). Lampene indikerer at bryterne er slått på.
5. Slå på sugemotorbryteren (49). Lampen indikerer at bryteren er slått på.
6. Vannstrømmen kan om nødvendig justeres manuelt med kuleventilen (31).
7. Trykk inn ett eller begge håndtakene (24), børsten vil så begynne å spinne og løsningen vil komme ut av dysen. Beveg maskinen og start rengjøringen.

MERK

Hvis batteriindikatoren (51) lyser grønt, kan maskinen brukes. Hvis den er gul eller rød, må batteriene lades.



FORSIKTIG!

Før børsten løftes, slå den av ved å trykke på børstebryteren (47).



FORSIKTIG!

Ved rengjøring svært skitne gulv, kan dette føre til at maskinen ikke fungerer som den skal. Indikatorer for børstemotor og sugemotor på betjeningspanelet (46) vil blinke samtidig. Dette indikerer at maskinen er overbelastet.

Slå av alle bryterne på betjeningspanelet (46).



FORSIKTIG!

Ikke bruk maskinen med når batteriene er utladet, for å unngå skade på batteriene og redusert batterilevetid.

ETTER BRUK AV MASKINEN

Etter rengjøringen gjøres følgende maskinen forlattes:

1. Fjern børste/pad-holder.
2. Tøm og tork tankene med væske.
3. Gjennomfør daglig vedlikehold (se delen som omhandler vedlikehold).
4. Sett maskinen til lagring på et rent og tørt sted, med sammen med børste/pad-holderen og nalen.
5. Hvis maskinen lagres på et sted der temperaturen kan falle under frysepunktet, sørg for å tømme ut all væske fra maskinen før den settes til lagring. Skader forårsaket av temperaturer under frysepunktet vil ikke bli dekket av garantien.

INAKTIVITET OVER EN LENGRE PERIODE

Hvis maskinen ikke skal brukes på 30 dager eller mer, må følgende gjøres:

1. Gjennomfør trinnene som beskrevet under "Etter bruk av maskinen".
2. Koble fra batterikontakten.

VEDLIKEHOLD

Korrekt og regelmessig vedlikehold av maskinen bidrar til maks levetid og driftssikkerhet. Følgende tabell viser planlagt vedlikehold. De oppgitte intervallene kan variere alt etter arbeidsforholdene, og må fastsettes av den som har ansvaret for vedlikeholdet.



ADVARSEL!

Vedlikeholdsarbeid må gjøres med maskinen slått av og kabel for batterier/batterilader frakoblet. Les også nøye gjennom kapittelet "Sikkerhet".

Alle planlagte eller ekstraordinære vedlikeholdsprosedyrer må utføres av kvalifisert personell eller et

BRUKERHÅNDBOK

autorisert servicesenter.

Denne håndboken beskriver kun de generelle og vanlige vedlikeholdsprosedyrene.

For andre vedlikeholdsprosedyrer som ikke er beskrevet i vedlikeholdsplanen, henvises det til servicehåndboken som kan fås hos våre servicesentre.

VEDLIKEHOLDSPLAN

Prosedyre	Daglig, etter bruk av maskinen	Ukentlig	Halv årlig	Årlig
Batterilading				
Rengjøring av nal				
Rengjøring av børste				
Rengjøring av sugefilter med flottør, sjekk av tetning på dekselet				
Sjekk og skift av nal				
Rengjøring av vannfilter				
Rengjøring av avløpsvannfilter				
Sjekk av stramhet på skruer og mutre			(1)	
Smøring av roterende deler			(1)	
Sjekk/utskifting av kullbørste for børste/pad-holder				(2)
Sjekk/utskifting av kullbørste for sugemotor				(2)

(1) Pluss etter de 8 første driftstimene

(2) Denne vedlikeholdsprosedyren skal utføres av et autorisert Viper servicesenter.

BATTERILADING



MERK

Batteriene må lades når den gule eller røde lampen (51) lyser, eller etter hver arbeidssyklus.



FORSIKTIG!

Levetiden på batteriene vil være lengre dersom batteriene holdes oppladet.



FORSIKTIG!

Hvis maskinen ikke er utstyrt med innebygd batterilader, må det brukes en ekstern batterilader som er kompatibel med batteriene i maskinen.



ADVARSEL!

Bruk en lader som er godkjent av Viper for å lade batteriene.



ADVARSEL!

Vær oppmerksom at det ved lading av våtbatterier, kan oppstå batterivæskelekkasje. Batterivæskan er etsende. Hvis den kommer i kontakt med hud eller øyne, skyll grundig med vann og kontakt lege.

1. Plasser laderen og maskinen på et godt ventilert sted.
2. Slå av maskinen (47).
3. Ta av oppsamlingstanken (2), slik at du kommer til batterirommet.
4. Koble ladekabelen til en jordet stikkontakt (100V~240V).
Koble ladekabelen til ladekontakten på maskinen.
5. Ladeindikatoren (30) begynner å lyse for å indikere at batteriene lades, den grønne indikatoren begynner å lyse når ladingen er ferdig.
6. Når ladingen er ferdig, koble først ladekabelen fra stikkontakten og deretter fra maskinen.
7. Sett på plass oppsamlingstanken.



MERK

For ytterligere informasjon om bruk av batteriladeren (29), se de relevante avsnittene for dette.

RENGJØRING AV NAL



MERK

Nalen må være ren, og nalbladene må være i god stand for å kunne gi et godt resultat.



ADVARSEL!

Det anbefales å bruke vernehansker ved rengjøring av nalen, da det kan være skarpe gjenstander i den.

SJEKK OG SKIFT AV NAL

1. Ta av nalen som vist i forrige avsnitt.
2. Sjekk om kanten på fremre/bakre nalblad er sprukket eller skadet, skift dem eventuelt ut.
3. Skru ut de seks vingemutrene (37) for å ta av nalbladene.
4. Sjekk fremre/bakre nalblader skader. Hvis de ikke er i god stand, må de enten skiftes eller snus.
5. Sett på plass nalen i motsatt rekkefølge.

RENGJØRING AV BØRSTE/PAD



FORSIKTIG!

Det anbefales å bruke vernehansker ved rengjøring av børste/pad, da det kan være skarpe gjenstander til stede.

1. Ta av børste/pad som beskrevet under delen som omhandler bruk av maskinen.
2. Rengjør og vask børste/pad med vann og rengjøringsmiddel.
3. Sjekk om børstehårene for slitasje, skift børsten etter behov.
4. Sjekk pad-en for slitasje, skift den ut etter behov.

RENGJØRING AV TANK/SUGEFILTER MED FLOTTØR OG SJEKK AV TETNING PÅ DEKSELET



FORSIKTIG!

Det anbefales å bruke vernehansker ved rengjøring av tank- og sugesystemet, da det kan være skarpe gjenstander til stede.

1. Flytt maskinen til et sted for tømning.
2. Slå av hovedbryteren (47).
3. Ta av oppsamlingstanken (2), rengjør og skyll både vanntanken og oppsamlingstanken, og tøm ut vannet.
4. Ta av alle sugedeler, tetninger og filtre, rengjør dem og sett dem tilbake på plass.
5. Sjekk pakningsringen på lokket for oppsamlingstanken og gummitetningen (18) mellom de to tankene, for slitasje.



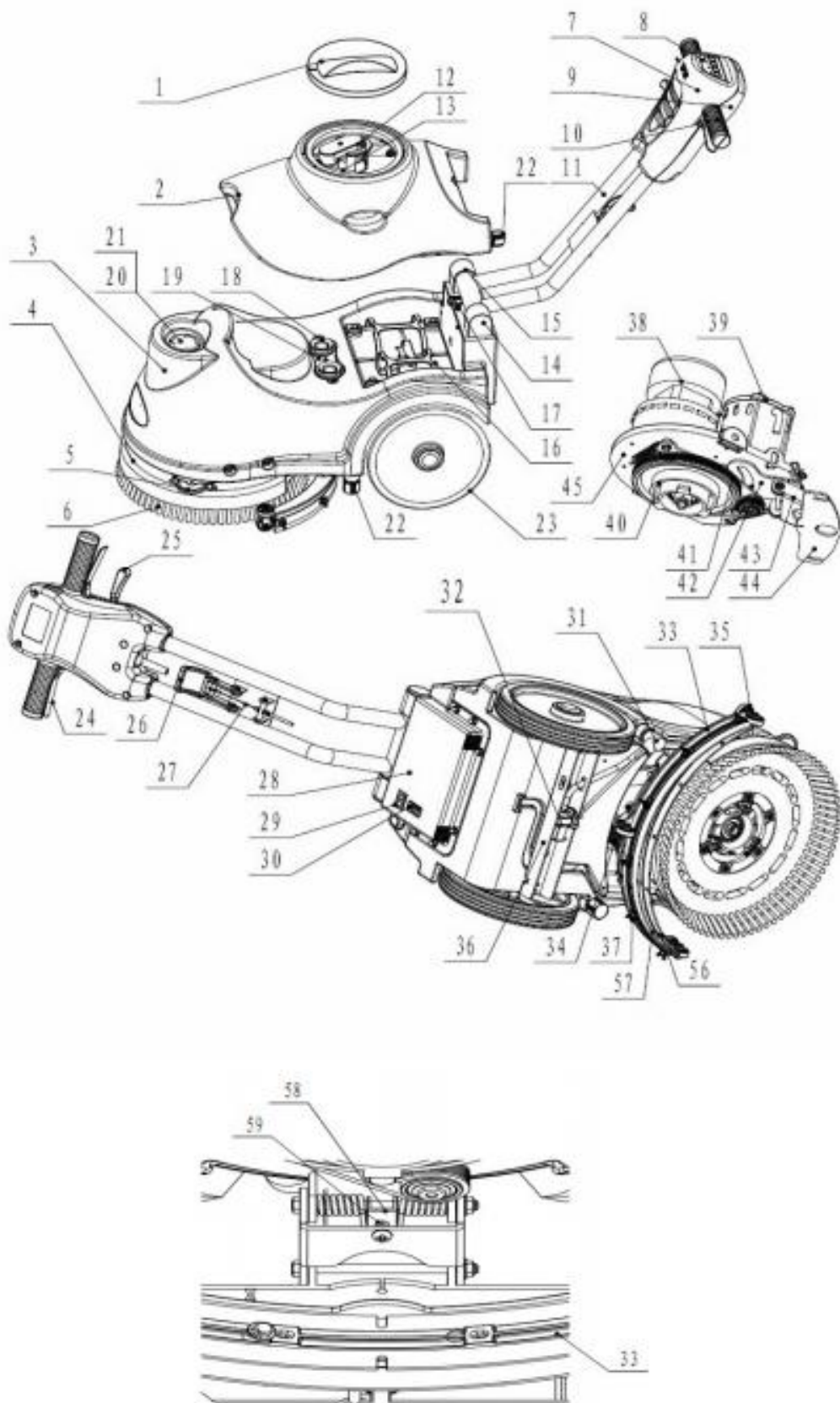
MERK

Pakningsringen på oppsamlingstanken og gummitetningen mellom tankene sørger for et vakuum i tanken. Skift dem ut etter behov.

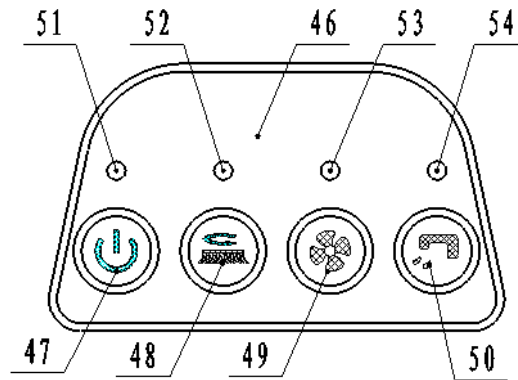
MASKINSTRUKTUR

1. Lokk på oppsamlingstank
2. Oppsamlingstank
3. Vanntank
4. Børstedekk
5. Støthjul
6. Børste
7. Frontdeksel på skyvehåndtak
8. Betjeningspanel
9. Bakdeksel på skyvehåndtak
10. Gummigrep på håndtak
11. Stålrør på skyvehåndtak
12. Nalvakuumenhet
13. Nalsugeenhet
14. Venstre posisjonering
15. Høyre posisjonering
16. Batterier
17. Lås
18. Gummitetning
19. Slangeskjøt
20. Innløp
21. Vannfilter
22. Vanntankutløp
23. Hjul på aksel
24. Høyre og venstre håndtak
25. Hendel for rotering av håndtak
26. Nalhendel
27. Nalvaier
28. Elektronikkboks
29. Lader
30. Ladeindikator
31. Hendel for justering av vannstrøm
32. Elektromagnetisk ventil
33. Nal

- 34. Nalslange
- 35. Nalhjul
- 36. Aksel
- 37. Vingemutter
- 38. Motor for vakuumsystem
- 39. Børstemotor
- 40. Drivreim
- 41. Reim
- 42. Nalrotasjonsplate
- 43. Nalløfteplate
- 44. Nalfesteplate
- 45. Motorfesteplate



Betjeningspanel



46. Betjeningspanel
 47. Hovedbryter
 48. Bryter for børstemotor
 49. Bryter for sugemotor
 50. Bryter for elektromagnetisk sugeventil
 51. Strømindikator
 52. Indikator for børstemotor
 53. Indikator for sugemotor
 54. Indikator for elektromagnetisk sugeventil

TEKNISKE DATA

MODELL	AS380/15B-EU/UK
Maskinens lengde x bredde x høyde	770 x 500 x 550 mm
Kapasitet på vanntank	15L
Kapasitet på oppsamlingstank	15L
Hjuldiameter	254 mm
Børstemotor	24V 250W
Sugemotor	24V 250W
Elektromagnetisk ventil	24V
Maks stigningsgrad	2%
Lydnivå	65 dBA
Batterier	(2 x 12V) 24V 33Ah/20h
Lengde på strømkabel	/
Batteridimensjoner	196 x 130 x 175mm
Arbeidskapasitet, opp til	800 mm H ₂ O
Rengjøringsområde	750 m ² /time
Nalbredde	490 mm
Børstediameter	380 mm
Børsteturtall	150 o/min
Lader	Inngang 100-240 VAC, 50-60 Hz Utgang 24 VDC, 5A
Maskinvekt	60 kg
Maskinvekt (med lader og pakke)	65 kg
Emballasjedimensjoner	780 x 145 x 590 mm

FEILSØKING

Problem	Mulig årsak	Løsning
Maskinen fungerer ikke, indikatoren (51) lyser ikke	Batterikontakten er frakoblet	Koble til
	Batteriene er helt utladet	Lad opp batteriene
	Strømledningen er ikke tilkoblet	Koble til
Maskinen fungerer ikke, indikatoren (51) lyser rødt	Batteriene er utladet	Lad opp batteriene
Børstemotoren fungerer ikke, indikatoren (52) lyser ikke	Feil på PCB eller knappen	Skift PCB eller betjeningspanel
Børstemotoren fungerer ikke, indikatoren (52) blinker	Dekkmotoren er overbelastet	Bruk mildere børster som er egnet for gulvet som skal rengjøres
	Det er fremmedlegemer (sammenfiltrede tråder, etc) som hindrer børsten fra å gå rundt	Rengjør børstenavet
Sugemotoren fungerer ikke, indikatoren (53) lyser ikke	Feil på PCB eller knappen	Skift PCB eller betjeningspanel
Sugemotoren fungerer ikke, indikatoren (53) blinker	Sugemotoren er overbelastet	Sjekk sugemotoren
Svak sugekraft	Oppsamlingstanken er full	Tøm oppsamlingstanken
	Slangen er koblet fra nalen	Koble til
	Vakuumsystemet er tett	Rengjør eller sjekk
	Nalen er skitten, eller nalbladene er slitt eller skadet	Rengjør og sjekk nalen
	Oppsamlingstanken er ikke tett	Lås låsen (17)
	Tanklokket er ikke skikkelig lukket, eller pakningsringen er skadet	Lukk lokket skikkelig eller skift pakningsringen
Væskestrømmen er for lav	Vannfilteret er tilsmusset	Rengjør filteret
	Vanntanken er tom	Fyll tanken
	Reguleringsventilen for vannstrømmen (31) er tett	Rengjør ventilen
	Vannløsningen er skitten	Tøm ut løsningen, rengjør vanntanken og fyll på åren løsning
Nalen etterlater seg merker på gulvet	Det er smuss under nalbladene	Fjern smusset
	Nalbladene er slitt, sprukket eller revet	Skift nalbladene

TURVAOHJEET

Tämä laite on tarkoitettu kaupalliseen käyttöön. Se on suunniteltu sisäkäyttöön, eikä sitä ole tarkoitettu käytettäväksi ulkotiloissa. Käytä laitteessa ainoastaan suositustemme mukaisia lisävarusteita.

Kaikkien laitetta käyttävien on perehdyttävä alla esitettyihin turvaohjeisiin ja noudatettava niitä

1) ÄLÄ KÄYTÄ LAITETTA:

Jos sinulla ei ole käyttöön vaadittavaa koulutusta tai lupaa.

Jos et ole perehtynyt laitteen käyttöoppaaseen.

Missään palo- tai räjähdysherkässä ympäristössä

Jos laite ei ole käyttökuntoinen.

Ulkotilassa.

2) ENNEN LAITTEEN KÄYTTÖÄ:

Varmista, että kaikki turvalaitteet ovat paikoillaan ja toimivat asianmukaisesti.

3) KÄYTÖN AIKANA:

Etene hitaasti kaltevilla ja liukkailla pinnoilla.

Noudata kaikkia turvaohjeita.

Noudata erityistä varovaisuutta ohjatessasi laitetta taaksepäin.

Ilmoita ja korjaa kaikki viat ennen kuin otat laitteen uudelleen käyttöön.

4) ENNEN LAITTEEN LUOTA POISTUMISTA JA HUOLTOTOIMENPITEITÄ:

Pysäytä laite tasaisen lattian päälle.

Sammuta laite.

5) LAITTEEN HUOLTAMINEN:

Lue tämän laitteen käyttöopas huolellisesti ennen sen käyttöä ja huoltamista.

Käytä ainoastaan valmistajan omia tai valmistajan hyväksymiä varaosia.

Estä laitteen pyörien liikkuminen esim. pyöräkiiloilla ennen laitteen ylös nostamista.

Nosta laite ylös asianmukaisin turvamerkinnein varustetulla tunkilla tai taljoilla.

HUOLTO-OHJEITA:(jatkuva)

Irrota laitteen akut ennen huoltotoimenpiteiden suorittamista.

Käytä asianmukaisia suojakäsineitä kun käsittelet akkuja tai akkukaapeleita.

Vältä altistumista akkuhapolle.

Älä koske liikkuviin osiin. Älä käytä löysiä vaatteita, kun huollat laitetta.

**VAROITUS !**

Akuista vapautuu vetykaasua. Tämä kaasu on erittäin palo- ja räjähdysherkää. Pidä akut etäällä kipinöistä ja avotulesta! Pidä akkulokero auki lataamisen ajan.

**VAROITUS !**

Herkästi syttyvät aineet saattavat aiheuttaa tulipalon tai räjähdyksen. Älä laita säiliöihin herkästi syttyviä aineita.

**VAROITUS !**

Herkästi syttyvät aineet tai reaktiiviset metallit voivat aiheuttaa tulipalon tai räjähdyksen. Älä nosta ylös.

KÄYTTÖOPAS

KÄYTTÖÖNOTTO- JA ASENNUSOHJEET

PAKKAUKSEN PURKAMINEN

Ennen pakkauksen purkamista tarkista sen ulkopinnat mahdollisten vaurioiden varalta. Ilmoita havaituista vaurioista välittömästi pakkauksen kuljettaneelle taholle.

Varmista, että pakkaus sisältää kaikki seuraavat tuotteet:

1. Laite
2. Akut (2 kpl.)
3. Imulastan runko
4. Pesu- ja kuivauskoneen käyttöopas
5. Sähkökäytön laturin käyttöopas (mikäli tuotteeseen kuuluu laturi)
6. Laturista akkuun kytkettävä latausjohto (mikäli tuotteeseen kuuluu laturi)
7. Harjan tai laikan kiinnityslevy (mikäli kuuluu tuotepakettiin)

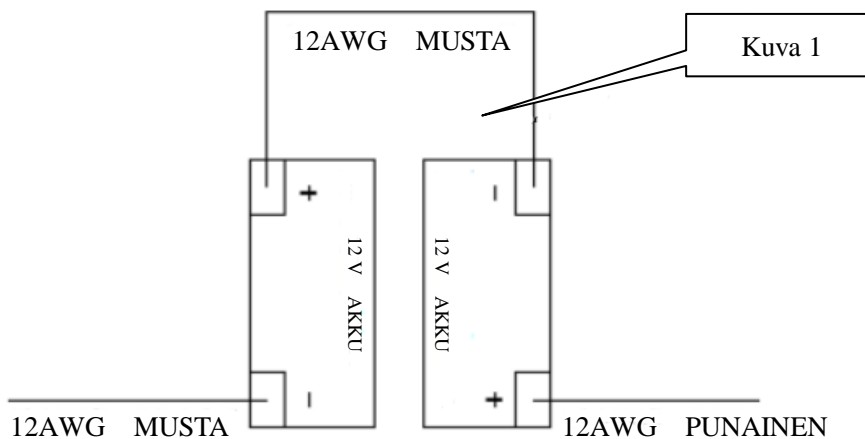
AKKUJEN IRROTTAMINEN JA KYTKEMINEN

1. Sammut laitteen virtakytkin (47).
2. Irrota laitteen likavesisäiliö (2) asianmukaisessa kappaleessa esitetyn ohjeen mukaan.
3. Irrota akkujen (16) kiinnityspultti ja poista tai vaihda akut.
4. Asenna ja kytke akut paikalleen alla esitetyn kaavion mukaan.
5. Aseta likavesisäiliö takaisin paikalleen.



VAROITUS!

Älä kytke plusmerkillä varustettua johtoa plusnapaan, tai miinusmerkillä varustettua johtoa miinusnapaan irrottamisen tai asennuksen aikana, sillä tämä aiheuttaa suuren vaaran.



Akun lataaminen

Lataa akut (kts. ohje tämän oppaan kohdasta Huolto).

KÄYTTÖÖNOTTO

Käyttöä edeltävät toimenpiteet

1. Poista ylimääräinen pöly puhdistettavasta lattiasta mopilla tai harjalla.
2. Varmista, että imulasta on asennettu asianmukaisella tavalla.
3. Laske imulasta (33) kiinni lattiaan laskukytkimellä (26).
4. Varmista, että akut on ladattu täyteen (kts. kohta Akkujen lataaminen).

5. Varmista, että harja/laikka on asennettu asianmukaisella tavalla.

HARJAN/LAIKAN KIINNITYSLEVYN KIINNITTÄMINEN JA IRROTTAMINEN



HUOMAUTUS

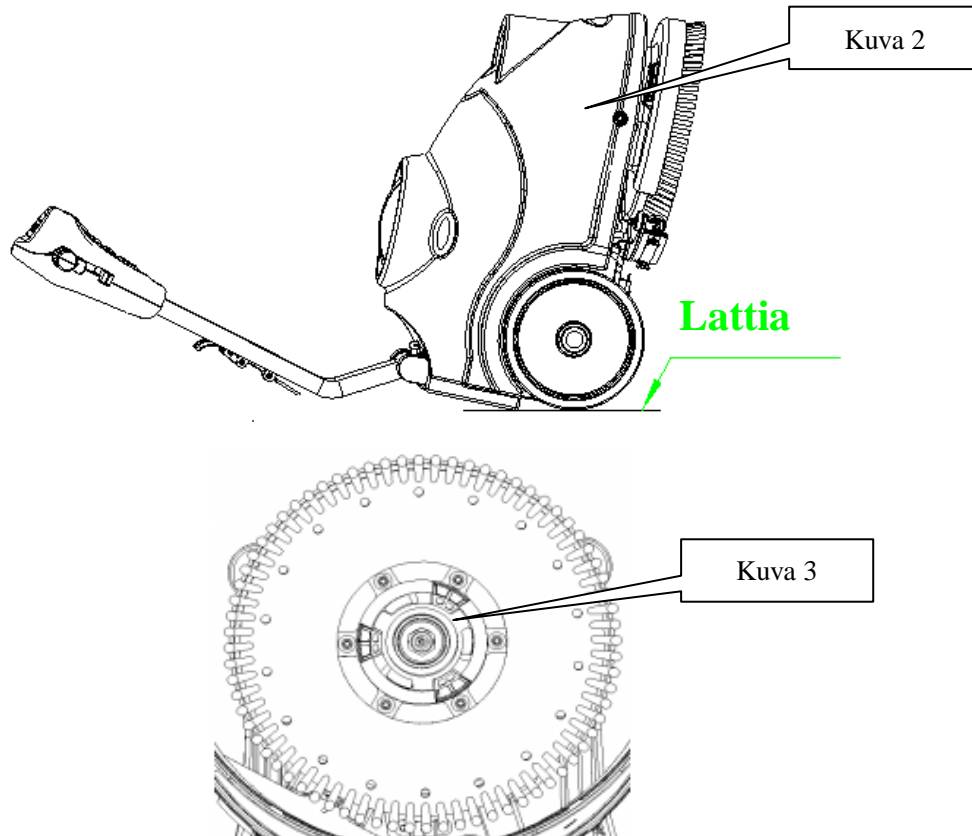
Asennus tulee suorittaa käsin. Automaattinen asennus aiheuttaa kulumia harjainosaan. Varmista, että laitteen nestesäiliöt ovat tyhjiä ennen kuin irrotat harjainosan.

1. Kytke laite pois päältä.
2. Aseta laite nojaamaan taaksepäin kuvassa 2 esitetyllä tavalla. Nosta imulasta (33) ylös laskukytkimestä (26).
3. Aseta harjan tai laikkapään kiinnityslevy harjainosan kiinnityspäähän ja pyöritä sitä vastapäivään, kunnes se lukittuu paikalleen (kts. kuva 3).
4. Irrottaaksesi harja/laikkapään, pyöritä sitä myötäpäivään, kunnes se irtoaa harjainosan kiinnityspäältä.



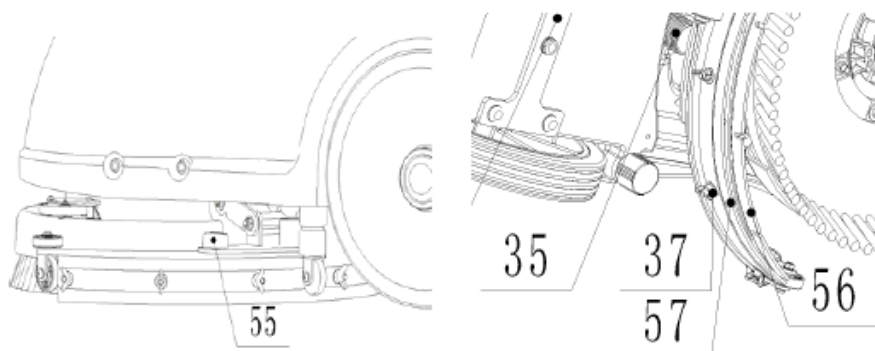
VAROITUS!

Älä kytke laitteeseen virtaa sen ollessa alla esitetystä asennosta. Harja/laikkapää saattaisi irrota ja aiheuttaa henkilövahingon.



Imulastan asentaminen

1. Kytke laite pois päältä (47).
2. Laske imulastan laskukytkin (26) alas "työasentoon".
3. Aseta laite kuvassa 2 esitettyyn asentoon.
4. Irrota imulastan kiinnittimet (55) ja työnnä lasta imulastan rungossa oleviin uriin. Kiristä kiinnittimet takaisin paikoilleen huolellisesti (jos purat laitetta, avaa kiinnittimet kokonaan).
5. Vaihtaaksesi taemman tai edemmän lastan (56/57), avaa siipimutterit (37).



Pesunestesäiliön täyttäminen



HUOMAUTUS

Säiliö voidaan täyttää jokoämpärillä tai letkulla. Älä poista pesunesteen suodatinta (21) täytön ajaksi.

1. Täytä pesunestesäiliö (3) täyttöaukon (20) kauttaämpärillä tai letkulla.
2. Lopeta täyttäminen, kun veden pinta on muutaman sentin säiliön yläreunasta.
3. Veden lämpötilan ei tule olla yli 40 °C.



HUOMIO!

Käytä ainoastaan automaattisiin lattianpesukoneisiin tarkoitettuja, vähän vaahtoavia ja syttymättömiä pesuaineita.

Pesunestesäiliön tyhjentäminen



HUOMAUTUS

Pesunestesäiliö tulee tyhjentää ja puhdistaa jokaisen käyttökerran jälkeen.

1. Avaa säiliön pohjassa olevan tyhjennysventtiilin tulppa (22). Anna pesunesteen/veden valuaämpäriin tai lattiakaivoon.
2. Huuhtelee pesunestesäiliö puhtaalla vedellä jokaisen käyttökerran jälkeen. Näin toimimalla vältät kemikaalien kertymisen säiliöön.
3. Aseta tyhjennysventtiilin tulppa (22) takaisin paikalleen.

Likavesisäiliön tyhjentäminen



HUOMAUTUS

Likavesisäiliö tulee tyhjentää ja puhdistaa jokaisen käyttökerran jälkeen.

1. Avaa pesunestesäiliön kiinnityssalpa (17), tartu säiliön reunoissa oleviin aukkoihin ja nosta säiliö pois laitteen päältä. Avaa säiliön kansi (1). Käännä säiliö ylösalaisin, jotta saat likaveden valutettua asianmukaiseen astiaan, tai avaa säiliön tyhjennysventtiilin tulppa (22) ja ohjaa likavesi letkullaämpäriin.
2. Huuhtelee likavesisäiliö puhtaalla vedellä jokaisen käyttökerran jälkeen.
3. Aseta säiliö takaisin laitteen päälle, ja lukitse se paikalleen sulkemalla kiinnityssalpa (17).

KÄYTTÖ

1. Aseta laitteen ohjainkahvat sopivalle korkeudelle painamalla säätövipua (25).
2. Laske imulasta (33) lattialle painamalla imulastan laskukytkin (26) alas.

3. Kytke virtakytkin (47) päälle.
4. Kytke harjamoottorin kytkin (48) ja pesunestekytke (50) päälle. Asianmukainen merkkivalo syttyy.
5. Kytke imumoottorin virtakytkin (49) päälle. Asianmukainen merkkivalo syttyy.
6. Mikäli tarpeen, säädä vedensyöttöä palloventtiilillä (31) käsin.
7. Nosta yksi tai molemmat käyttökytkimet (24). Harja alkaa nyt pyörimään ja pesuneste virtaamaan harjan alle. Ohjaa laitetta ja aloita lattian puhdistaminen.

HUOMAUTUS

Akun merkkivalon (51) ollessa vihreä, laite on käyttövalmiudessa. Jos merkkivalo on keltainen tai punainen, sinun on ladattava laitteen akut.



HUOMIO!

Ennen kuin nostat harjan ylös, sammuta se painamalla virtakytkintä (47).



HUOMIO!

Erittäin haastava lattiapinta saattaa aiheuttaa laitteeseen toimintahäiriön. Mikäli näen käy, laitteen ohjauspaneelissa olevat (46) harjamoottorin ja imu järjestelmän merkkivalot alkavat vilkkumaan samanaikaisesti. Laitteen moottori on tällöin ylikuormittunut.

Sinun tulee tällöin kytkeä kaikki ohjauspaneelin (46) kytkimet pois päältä.



HUOMIO!

Älä käytä laitetta silloin, kun laitteen akut ovat lähes tyhjiä, sillä tällainen käyttö saattaa vaurioittaa akkuja ja lyhentää niiden käyttöikä.

KÄYTÖN JÄLKEEN

Kun lopetat työskentelyn, suorita seuraavat toimenpiteet ennen laitteen luota poistumista:

1. Irrota harja/laikkapäät.
2. Tyhjennä ja puhdista laitteen nestesäiliöt.
3. Suorita päivittämiset huoltotoimenpiteet (kts. tämän oppaan kohta Huolto).
4. Säilytä laitetta puhtaassa ja kuivassa paikassa, yhdessä harjan/laikkapäiden ja imulastan kanssa.
5. Mikäli säilytät laitetta tilassa, jonka lämpötila saattaa laskea nollan asteen alapuolelle, tyhjennä kaikki nesteet laitteen sisästä. Laitteen takuu ei korvaa mitään jäädyttämisestä aiheutuneita vahinkoja.

PITKÄAIKAINEN VARASTOINTI

Mikäli laitetta ei tulla käyttää enää yli 30 päivään, suorita seuraavat toimenpiteet:

1. Suorita kohdassa "Käytön jälkeen" esitetyt toimenpiteet.
2. Irrota akun liitin.

HUOLTO

Jotta laite toimisi hyvin ja turvallisesti mahdollisimman pitkään, sitä tulee huoltaa säännöllisesti ja asianmukaisella tavalla. Alla olevassa taulukossa on esitetty huoltotoimenpiteiden suoritusajataulu. Huoltotoimenpiteet saattavat olla tarpeen myös taulukossa esitettyä useammin, mikäli laitetta käytetään erityisen vaativissa oloissa. Huollosta vastaavan henkilön tulee suunnitella huoltoajataulu olosuhteiden ja käytön mukaan.



VAROITUS!

Huoltotoimenpiteitä suoritettaessa laitteen on oltava poissa päältä ja akun/akkujen latausjohdon irrotettuna. Noudata lisäksi oppaan kohdassa Turvallisuus annettuja ohjeita.

KÄYTTÖOPAS

Määräaikaiset ja ylimääräiset huoltotoimenpiteet saa suorittaa vain asianmukaisen koulutuksen saanut henkilö tai valtuutettu huoltoliike.

Tässä oppaassa on kuvattu vain helpoimmat ja yleisimmät huoltotoimenpiteet.

Tiedot kaikista huoltotoimenpiteiden suoritusaikataulussa esitetyistä toimenpiteistä löydät valtuutetuille huoltoliikkeille toimitetusta huolto-oppaasta.

MÄÄRÄAIKAISHUOLTOJEN AIKATAULU

Toimenpide	Päivittäin, jokaisen käyttökerran jälkeen	Viikoittain	6 kuukauden välein	Vuosittain
Akun lataaminen				
Imulastan puhdistus				
Harjan puhdistus				
Säiliön ja imurin ritilän ja kohon puhdistaminen, kansitiivisteen tarkistus				
Imulastan osien tarkistus ja vaihto				
Pesunestesuodattimen puhdistus				
Nesteen ulostuloletkun suodattimen puhdistus				
Ruuvien ja mutterien kiristäminen/tarkistaminen			(1)	
Liikkuvien osien voitelu			(1)	
Harja-/laikkapään hiiliharjan tarkistus tai vaihto				(2)
Imumootorin hiiliharjan tarkistus tai vaihto				(2)

(1) Lisäksi ensimmäisten 8 käyttötunnin tultua täyteen.

(2) Tämän huoltotoimenpiteen saa suorittaa ainoastaan valtuutettu Viper-huoltoliike.

AKUN LATAAMINEN



HUOMAUTUS

Lataa akut aina, kun keltainen tai punainen merkkivalo (51) palaa tai jokaisen käyttökerran jälkeen.



HUOMIO!

Pitämällä akut ladattuina pidennät niiden käyttöikää.



HUOMIO!

Mikäli laitteeseen ei kuulu laturia, valitse sellainen laturi, joka on yhteensopiva laitteeseen asennettujen akkujen kanssa.



VAROITUS!

Lataa akkuja ainoastaan Viperin hyväksymillä latureilla.



VAROITUS!

Noudata erityistä varovaisuutta ladatessasi WET-akkuja, sillä niistä saattaa vuotaa akkumestettä. Akkumeste on syövyttävää. Mikäli akkumestettä päätyy iholle tai silmiin, huuhtelee altistunut alue runsaalla vedellä ja ota yhteys lääkäriin.

1. Suorita lataaminen hyvin ilmastoidussa tilassa.
2. Sammuta laite (47).
3. Nosta likavesisäiliö pois laitteen päältä (2), jotta saat akkulokeron näkyviin.
4. Kytke laturi maadoitettuun pistorasiaan (100V–240V).
Kytke latausjohto laitteen latausliitäntään.
5. Latauksen merkkivalo (30) ilmoittaa latauksen olevan käynnissä. Merkkivalo muuttuu vihreäksi, kun lataus on suoritettu loppuun.
6. Kun lataus on suoritettu loppuun, irrota laturi ensin pistorasiasta ja irrota tämän jälkeen latausjohto laitteen latausliitäntästä.
7. Aseta likavesisäiliö takaisin paikalleen.



HUOMAUTUS

Jos tarvitset lisää akkulaturin (29) käyttöohjeita, kts. oppaan asianmukainen kohta.

IMULASTAN PUHDISTUS



HUOMAUTUS

Hyvän kuivaustuloksen saavutat vain hyväkuntoisella imulastalla.



HUOMIO!

Imulastaa puhdistettaessa on syytä käyttää suojaesineitä sillä ilman seassa saattaa olla teräväreunaisia roskia ja hiukkasia.

IMULASTAN OSIEN TARKISTUS JA VAIHTO

1. Irrota imulasta laitteesta aiemmassa kappaleessa esitetyn ohjeen mukaan.
2. Tarkista, onko etummaisessa tai taemmassa lastassa halkeamia tai muita vaurioita, ja vaihda lasta(t) mikäli tarpeen.
3. Irrota lastat avaamalla kuusi siipimutteria (37).
4. Tarkista, onko etummaisessa tai taemmassa lastassa halkeamia tai muita vaurioita. Mikäli havaitset vaurioita, käännä lastat ylösalaisin tai vaihda ne.
5. Aseta imulasta takaisin paikalleen suorittamalla edellä esitetyt vaiheet käänteisessä järjestyksessä.

HARJA-/LAIKKAPÄÄN PUHDISTUS



HUOMIO!

Imulastaa puhdistettaessa on syytä käyttää suojaesineitä sillä ilman seassa saattaa olla teräväreunaisia roskia ja hiukkasia.

1. Irrota harja-/laikkapäätä kohdassa Käyttöesitetyn ohjeen mukaan.
2. Puhdista harja/laikka vedellä ja puhdistusaineella.
3. Tarkista harjakset kulumien varalta. Mikäli havaitset kulumia, vaihda harja uuteen.
4. Tarkista laikka kulumien varalta. Mikäli havaitset kulumia, vaihda laikkapäätä uuteen.

SÄILIÖN JA IMURIN RITILÄN JA KOHON PUHDISTAMINEN, KANSITIIVISTEEN TARKISTUS



HUOMIO!

Säiliötä ja imuosia puhdistettaessa on syytä käyttää suojaesineitä sillä ilman seassa saattaa olla teräväreunaisia roskia ja hiukkasia.

1. Siirrä laite asianmukaiseen tilaan puhdistusta varten.
2. Kytke virtakytkin (47) pois päältä.
3. Irrota likavesisäiliö (2), huuhtele ja puhdista pesuneste- ja likavesisäiliöt ja valuta molemmat säiliöt tyhjiksi.
4. Irrota imujärjestelmän osat, tiiviste ja suodatin. Puhdista osat ja aseta ne tämän jälkeen takaisin paikoilleen.
5. Tarkista, että likavesisäiliön tiivisterengas ja säiliöiden välissä oleva kumitiiviste (18) ovat ehjiä.



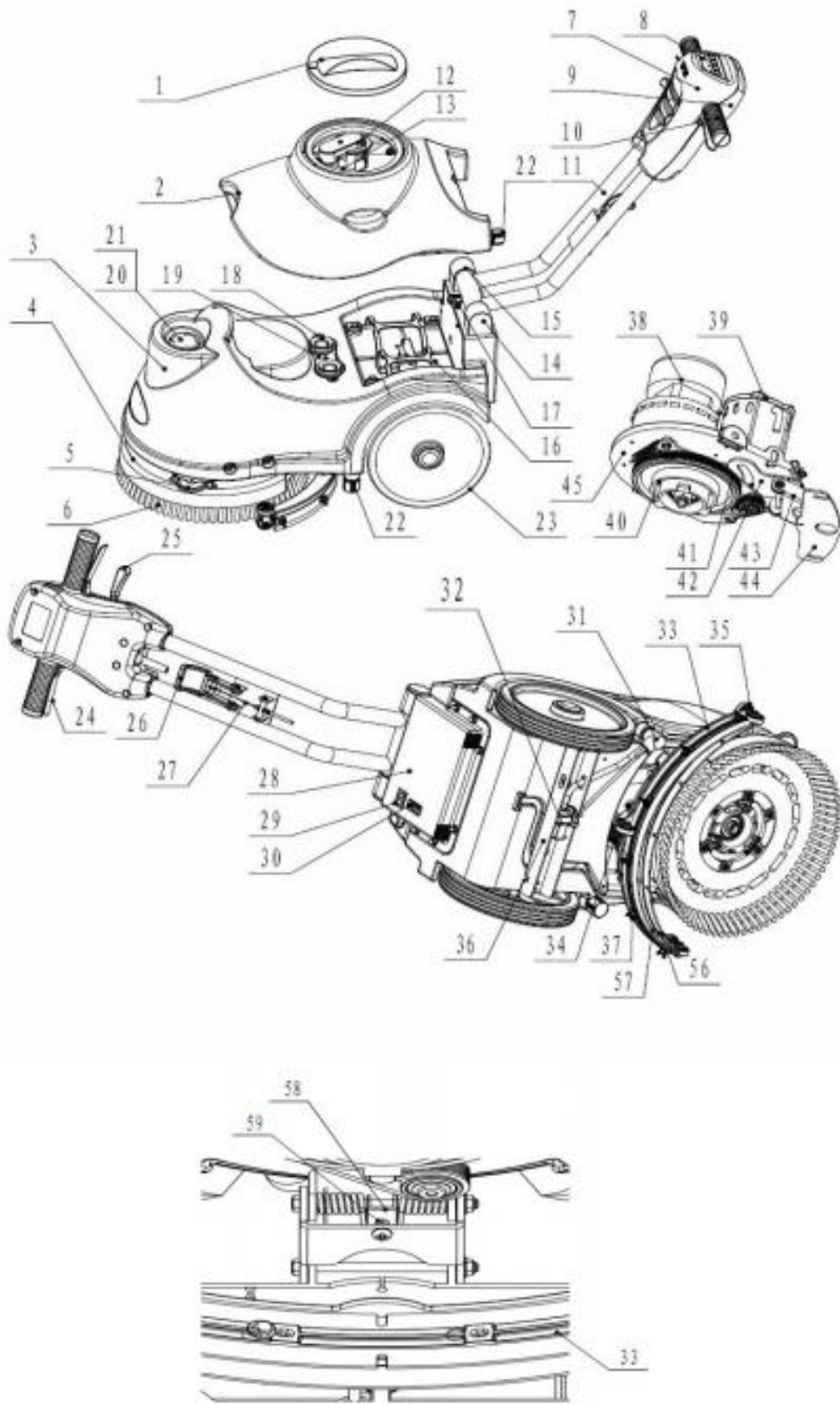
HUOMAUTUS

Likavesisäiliön tiivisterenkaan ja kahden säiliön välissä olevan kumitiivisteen tarkoituksena on luoda alipaine likavesisäiliön sisään. Mikäli tarpeen, vaihda tiivisteet.

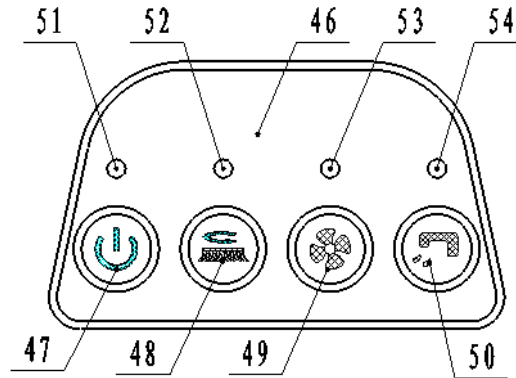
LAITTEEN OSAT JA RAKENNE

1. Likavesisäiliön kansi
2. Likavesisäiliö
3. Pesunestesäiliö
4. Harjainosan suojakuori
5. Suojapyörät
6. Harja
7. Kahvaosan etupuolen kotelo
8. Ohjauspaneeli
9. Kahvaosan takaosan kotelo
10. Kuminen kahva
11. Ohjainosan metalliputki
12. Imulastan alipaineyksikkö
13. Imulastan imuyksikkö
14. Vasemman metalliputken kiinnityskohta
15. Oikean metalliputken kiinnityskohta
16. Akut
17. Salpa
18. Kumitiiviste
19. Letkun yläpäätä
20. Tyttöaukko
21. Pesunesteen suodatin
22. Pesunestesäiliön tyhjennysaukko
23. Liikkumattomaan akseliin kiinnitetyt renkaat
24. Oikea ja vasen kahva
25. Ohjainten säätövipu
26. Imulastan laskukytkeä
27. Imulastan naru
28. Virtapiirin laatikko
29. Laturi
30. Akun lataustason ilmaisin

31. Pesunesteen syöttöhanan vipu
32. Solenoidiventtiilin tiedonsiirtokaapeli
33. Imulasta
34. Imulastan letku
35. Imulastan renkaat
36. Akseli
37. Siipimutteri
38. Imujärjestelmän moottori
39. Harjamoottori
40. Ajohihna
41. Hihna
42. Imulastan kiertolevy
43. Imulastan nostolevy
44. Imulastan kiinnityslevy
45. Moottorin kiinnityslevy



Ohjauspaneeli



- 46. Ohjauspaneeli
- 47. Päätkytkin
- 48. Harjamoottorin virtakytkin
- 49. Imumoottorin virtakytkin
- 50. Imun solenoidiventtiilin tiedonsiirtokytkin
- 51. Sähkövirran merkkivalo
- 52. Harjamoottorin merkkivalo
- 53. Imumoottorin merkkivalo
- 54. Imun solenoidiventtiilin tiedonsiirtomerkkivalo

TEKNISET TIEDOT

MALLI	AS380/15B-EU/UK
Laiteen pituus*leveys*korkeus	770x500x550 mm
Pesunestesäiliön tilavuus	15L
Likavesisäiliön tilavuus	15L
Renkaan halkaisija	254 mm
Harjamoottorin tiedot	24 V 250 W
Imumoottorin tiedot	24 V 250 W
Solenoidiventtiilin tiedot	24 V
Suurin sallittu kallistus	2 %
Melutaso	65 dBA
Akkujen tiedot	(2X12V) 24V 33Ah/20h
Virtajohdon pituus	/
Akkujen koko	196 x 130 x 175 mm
Työkapasiteetti, maksimaalinen	800 mm H ₂ O
Puhdistusteho	750m ² /h
Imulastan leveys	490mm
Harjan halkaisija	380 mm
Harjan kierrosnopeus	150 r/min
Laturi	Tulovirta 100–240 VAC, 50–60 Hz Lähtövirta 24VDC, 5A
Laitteen paino	60 kg
Laitteen paino (sisälleen laturin ja pakkausmateriaalit)	65 kg
Pakkauksen mitat	780 x 145 x 590 mm

VIANETSINTÄ

Ongelma	Mahdollinen syy	Ratkaisu
Laite ei toimi, sähkövirran merkkivalo (51) ei syty.	Akun liitin ei ole kytketty.	Kytke akun liitin.
	Akut ovat täysin tyhjä.	Lataa akut.
	Virtajohto ei ole kytketty.	Kytke virtajohto.
Laite ei toimi, sähkövirran merkkivalo (51) on punainen.	Akut ovat täysin tyhjä.	Lataa akut.
Harjamoottori ei käynnisty, harjamoottorin merkkivalo (52) ei syty.	Piirilevy tai ohjauspaneelin näppäimistö on viallinen.	Vaihda piirilevy tai ohjauspaneelin näppäimistö.
Harjamoottori ei toimi, harjamoottorin merkkivalo (52) vilkkuu.	Harjamoottori on ylikuormittunut.	Käytä pehmeämpää lattialle paremmin sopivaa harjaa.
	Jokin vieras esine (esim. lanka) estää harjaa pyörimästä.	Puhdista harjainosa.
Imumoottori ei käynnisty, imumoottorin merkkivalo (53) ei syty.	Piirilevy tai ohjauspaneelin näppäimistö on viallinen.	Vaihda piirilevy tai ohjauspaneelin näppäimistö.
Imumoottori ei toimi, imumoottorin merkkivalo (53) vilkkuu.	Imujärjestelmän moottori on ylikuormittunut.	Tarkista imujärjestelmän moottori.
Imuteho ei riitä	Likavesisäiliö on täynnä.	Tyhjennä likavesisäiliö.
	Imujärjestelmän letku on irronnut imulastasta.	Kytke letku paikalleen.
	Imujärjestelmä on tukkeutunut.	Tarkista ja puhdista imujärjestelmä.
	Imulasta on likainen tai lastat ovat kuluneet tai vaurioituneet.	Tarkista ja/tai puhdista imulasta.
	Likavesisäiliö ei pysy paikallaan.	Lukitse likavesisäiliön salpa.
	Säiliön kansi ei ole tiiviisti kiinni tai kannen tiiviste on vaurioitunut.	Sulje kansi tiiviisti tai vaihda tiiviste.
Veden syöttö on riittämätön	Pesunesteen suodatin on tukkeutunut.	Puhdista suodatin.
	Pesuneste on loppunut.	Täytä säiliö.
	Pesunesteen syöttökanan vipu (31) on jumissa.	Puhdista vipu.
	Pesuneste on likaista.	Tyhjennä pesunestesäiliö, puhdista se, ja täytä se uudelleen puhtaalla pesunesteellä.
Imulastasta jää jälkiä lattiaan.	Imulastan ja lattian välissä on roskaa.	Poista roskat.
	Lastat ovat kuluneet tai vaurioituneet.	Vaihda lastat.

Company information:
www.vipercleaning.eu
info-eu@vipercleaning.com

